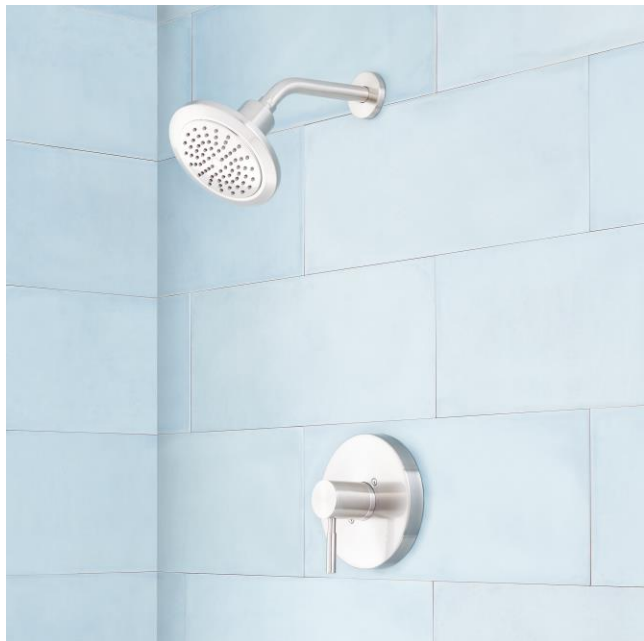


EDENTON PRESSURE BALANCE SHOWER SET

SKU: 948660

Code: SHED8020G, SH4001



ASME A112.18.1/CSA B125.1

ASSE 1016 Type P

FEATURES

Installation Type: Wall Mount

Features: Pressure-Balanced

Design: Modern

Material: Brass

Base Plate Height: 6-3/4"

Assembly Required: No

Shape: Round

Handle Type: Lever

Installation Type: Wall Mount

Base Plate Width: 6-3/4"

NPT Connection: 1/2"

Shower Head Installation Type: Wall

Shower Head Diameter: 6-1/8"

Shower Head Material: ABS

Shower Head Spray: Single Function

Shower Arm Included: Yes

Shower Arm Extension: 7"

Shower Head IPS: 1/2"

Shower Head Swivel: Yes

Valve Trim Width: 6-3/4"

Valve Trim Height: 6-3/4"

Shower Head Flow Rate: 1.8 gpm (6.8 L/min) @ 80 psi

REVISED 3/29/2023

EDENTON PRESSURE BALANCE SHOWER SET

SKU: 948660

Code: SHED8020G, SH4001



ADDITIONAL FEATURES

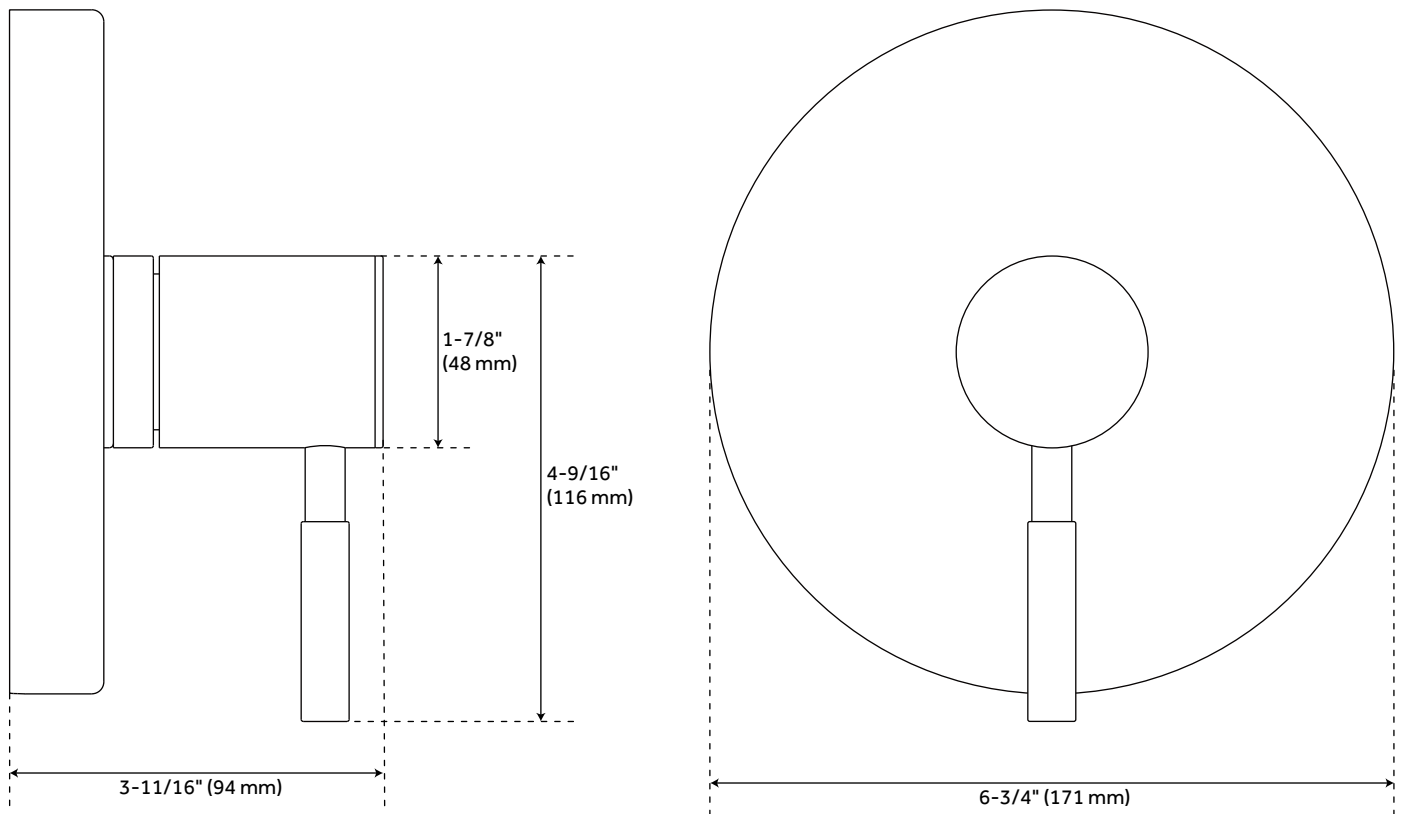
- Optional Rough-in Valve:
 - Pressure balance valve with integral stops.
 - One-piece cartridge design for ease of maintenance.
 - Back-to-back capability.
 - Ceramic disc valve cartridge.
 - Cast bronze valve body.
 - Adjustable temperature limit stop.
 - Quick remove plaster guard.
 - Easy mounting brackets.

REVISED 3/29/2023

EDENTON PRESSURE BALANCE SHOWER VALVE

SKU: 948660

SHED8020G

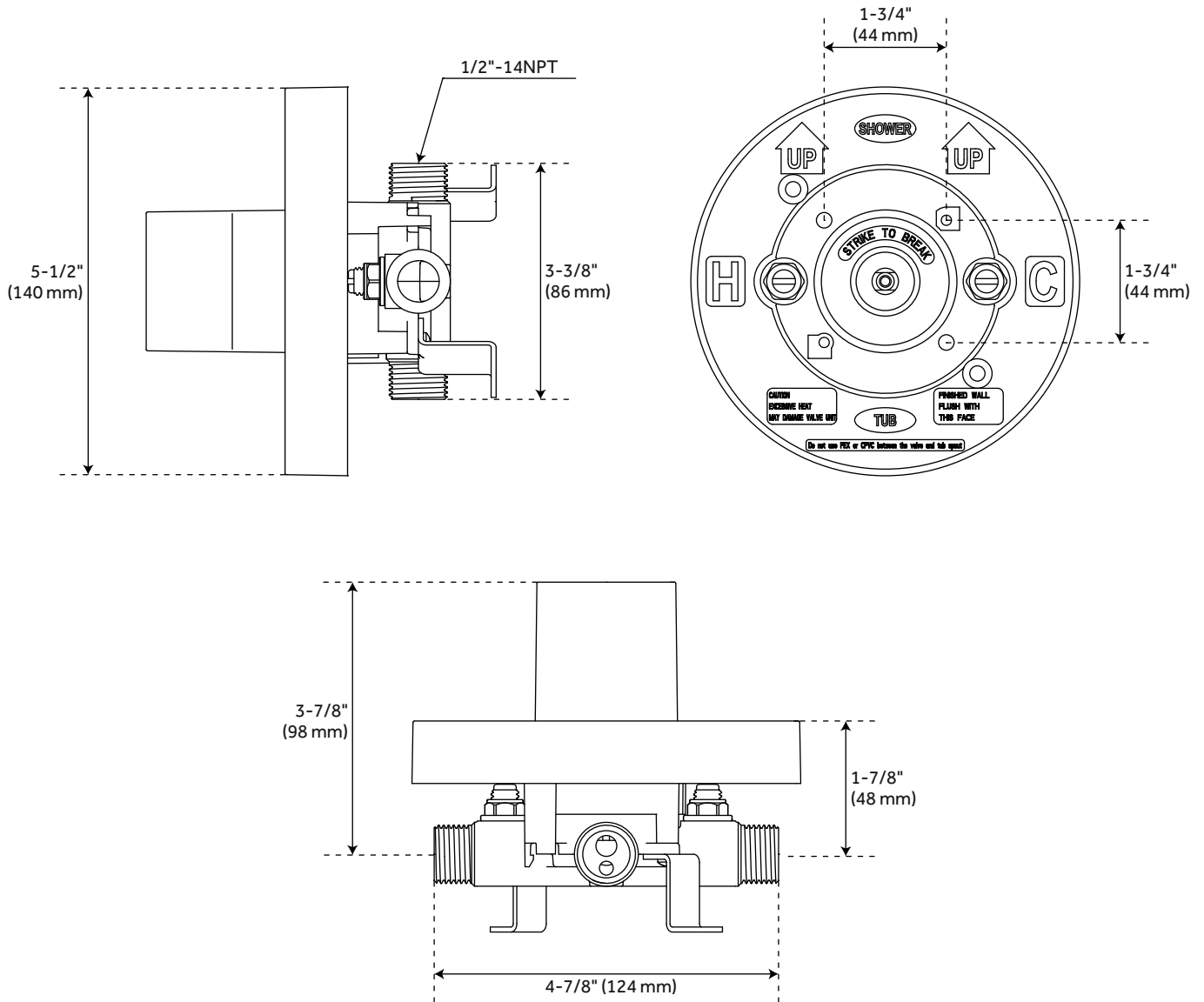


All dimensions and specifications are nominal and may vary. Use actual products for accuracy in critical situations.

EDENTON OPTIONAL PRESSURE BALANCE TUB AND SHOWER ROUGH IN VALVE

SKU: 948660

SH4001

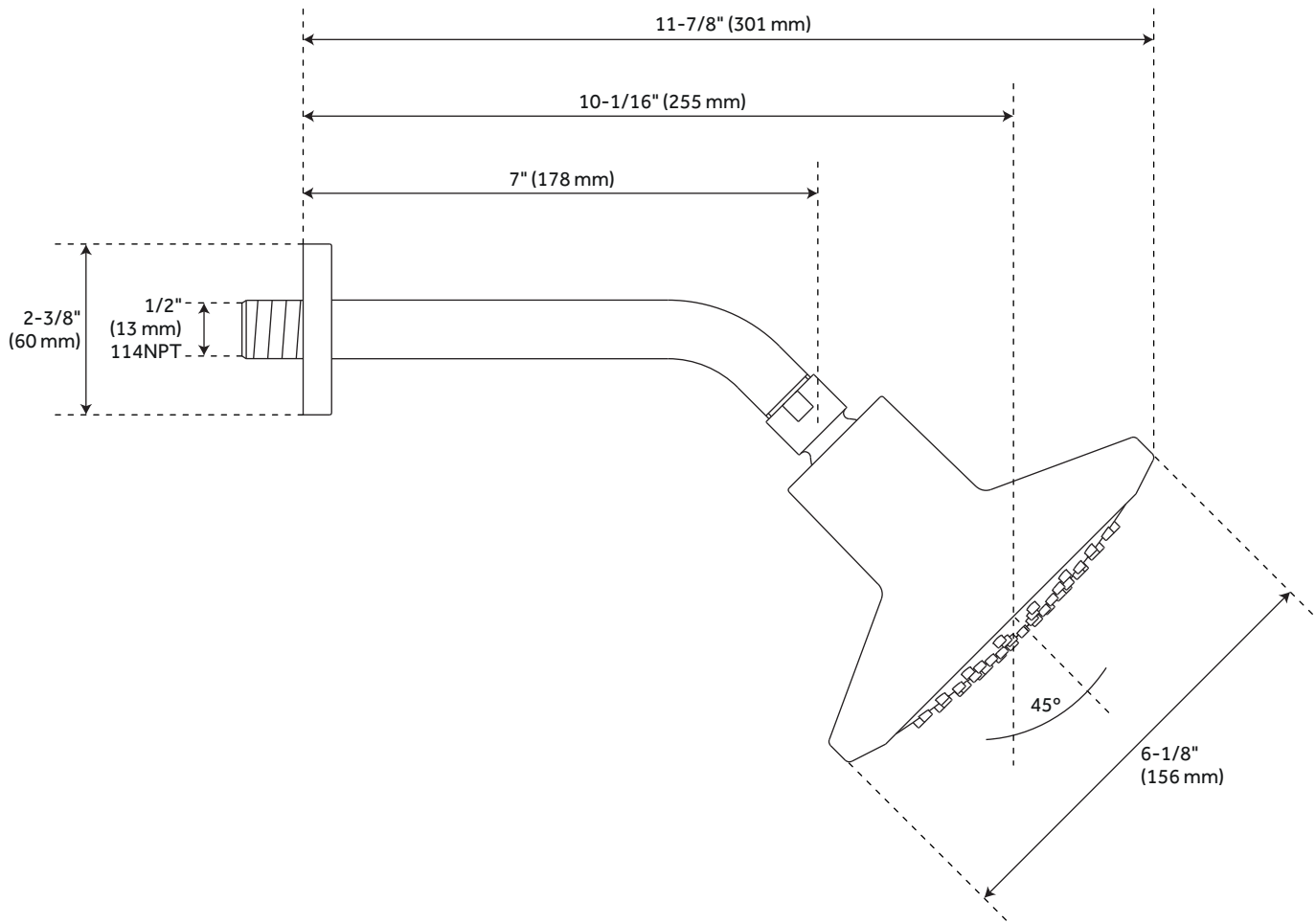


All dimensions and specifications are nominal and may vary. Use actual products for accuracy in critical situations.

EDENTON WALL-MOUNT SHOWER HEAD

SKU: 948660

SHED8020G



All dimensions and specifications are nominal and may vary. Use actual products for accuracy in critical situations.