

# RIGI PRESSURE BALANCE SHOWER SET

SKU: 948667

Code: SHRI8020G, SH4001



ASME A112.18.1/CSA B125.1

ASSE 1016 Type P



## FEATURES

Installation Type: Wall Mount

Features: Pressure-Balanced

Design: Modern

Material: Brass

Base Plate Height: 6-3/4"

Assembly Required: No

Shape: Square

Handle Type: Lever

Installation Type: Wall Mount

Base Plate Width: 6-3/4"

NPT Connection: 1/2"

Shower Head Installation Type: Wall

Shower Head Material: ABS

Shower Head Spray: Rainfall

Shower Head Length: 7-7/8"

Shower Head Width: 7-7/8"

Shower Arm Included: Yes

Shower Arm Extension: 10-1/8"

Shower Head IPS: 1/2"

Shower Head Swivel: Yes

Valve Trim Width: 6-3/4"

Valve Trim Height: 6-3/4"

Shower Head Flow Rate: 1.8 gpm (6.8 L/min) @ 80 psi

REVISED 3/29/2023

# RIGI PRESSURE BALANCE SHOWER SET

SKU: 948667

Code: SHRI8020G, SH4001



## ADDITIONAL FEATURES

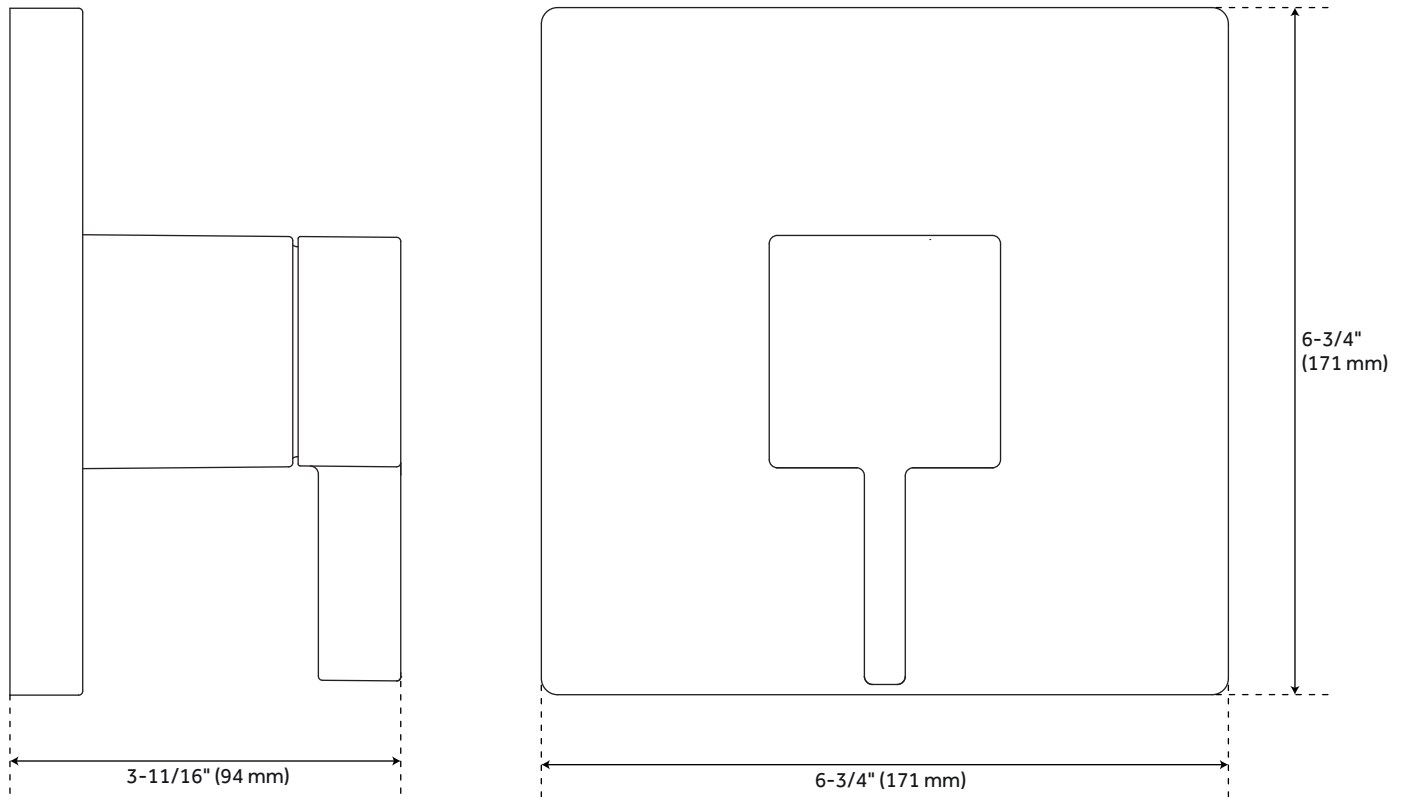
- Metal handle.
- Optional Rough-in Valve:
  - Pressure balance valve with integral stops.
  - One-piece cartridge design for ease of maintenance.
  - Back-to-back capability.
  - Ceramic disc valve cartridge.
  - Cast bronze valve body.
  - Adjustable temperature limit stop.
  - Quick remove plaster guard.
  - Easy mounting brackets.

REVISED 3/29/2023

# RIGI PRESSURE BALANCE SHOWER VALVE

SKU: 948667

SHRI8020G, SHRI8020GZ

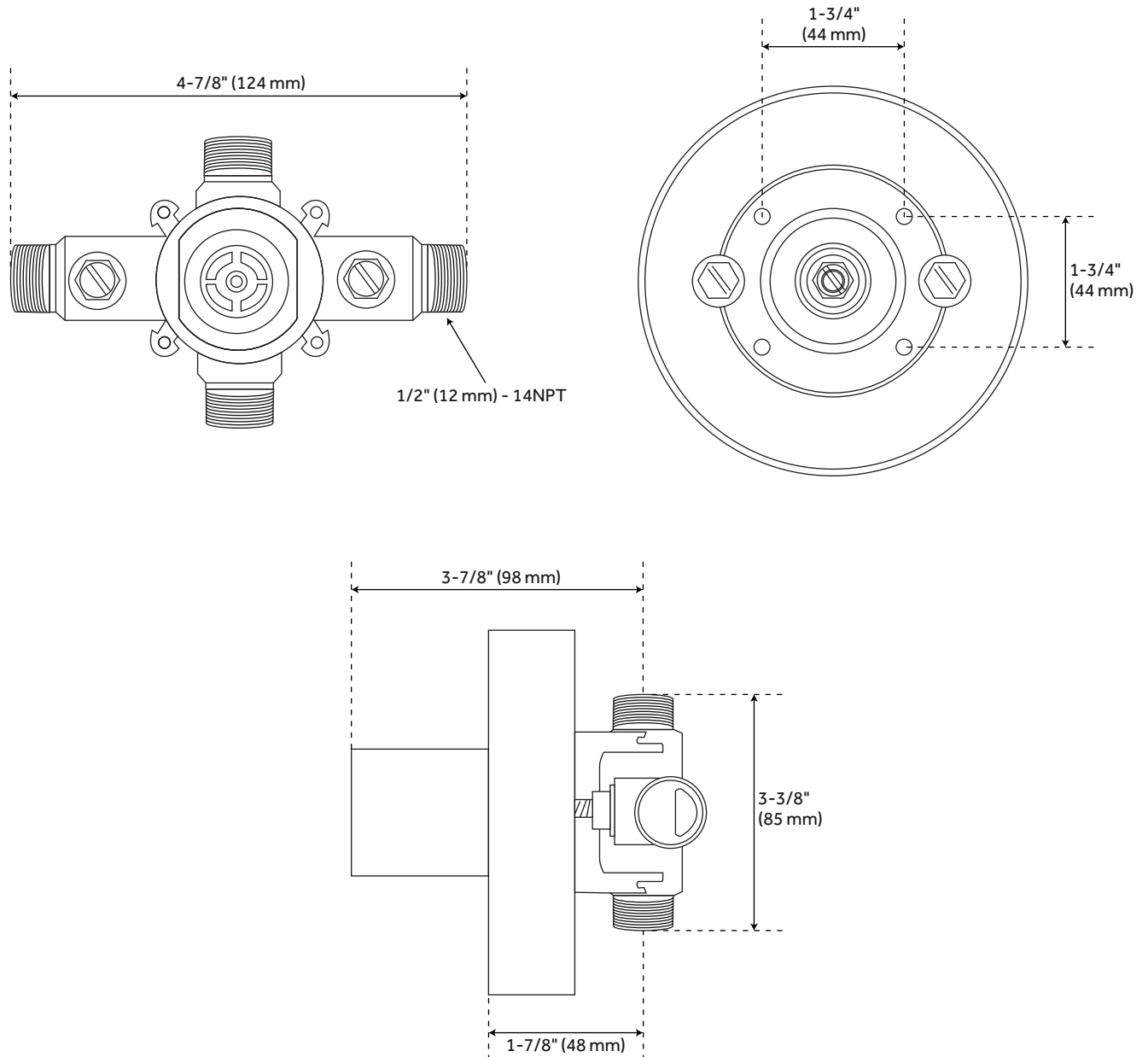


All dimensions and specifications are nominal and may vary. Use actual products for accuracy in critical situations.

# RIGI OPTIONAL PRESSURE BALANCE TUB & SHOWER ROUGH-IN VALVE

SKU: 948667

SH4001

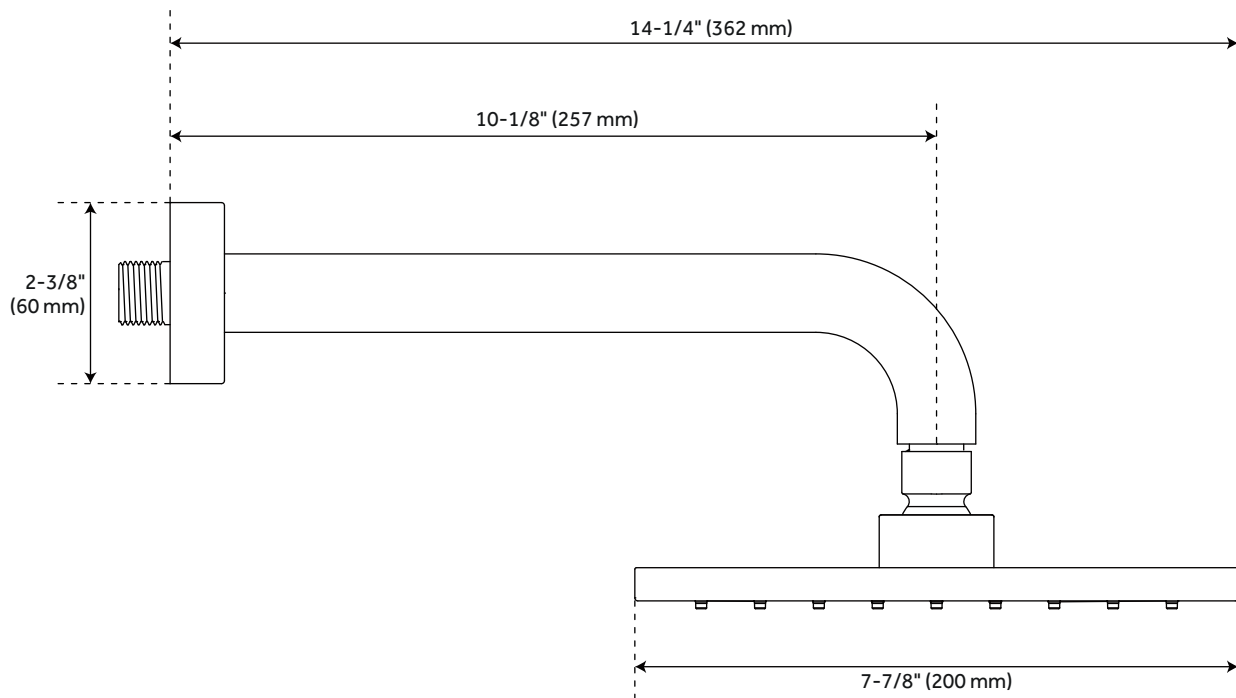


All dimensions and specifications are nominal and may vary. Use actual products for accuracy in critical situations.

# RIGI WALL-MOUNT SHOWER HEAD AND ARM

SKU: 948667

SHRI8020G, SHRI8020GZ



All dimensions and specifications are nominal and may vary. Use actual products for accuracy in critical situations.