

VILAMONTE PRESSURE BALANCE SHOWER SET

SKU: 948668

Code: SHVL8020, SHVL8020G, SH4001



FEATURES

Installation Type: Wall Mount
Features: Pressure-Balanced
Design: Modern
Material: Metal
Base Plate Height: 6-11/16"
Assembly Required: No
Shape: Square
Handle Type: Lever
Base Plate Width: 6-11/16"
NPT Connection: 1/2"
Shower Head Installation Type: Wall
Shower Head Material: ABS
Shower Head Spray: Single Function
Shower Head Length: 6"
Shower Head Width: 6"
Shower Arm Included: Yes
Shower Arm Extension: 6-7/8"
Shower Head IPS: 1/2"
Shower Head Swivel: Yes
Valve Trim Width: 6-11/16"
Valve Trim Height: 6-11/16"
Shower Head Flow Rate: 1.8 gpm (6.8 L/min) @ 80 psi

ASME A112.18.1/CSA B125.1

ASSE 1016 Type P

ICC/ANSI A117.1

CEC Listed

WaterSense by IAPMO

Massachusetts Accepted



REVISED 2/27/2024

VILAMONTE PRESSURE BALANCE SHOWER SET

SKU: 948668

Code: SHVL8020, SHVL8020G, SH4001

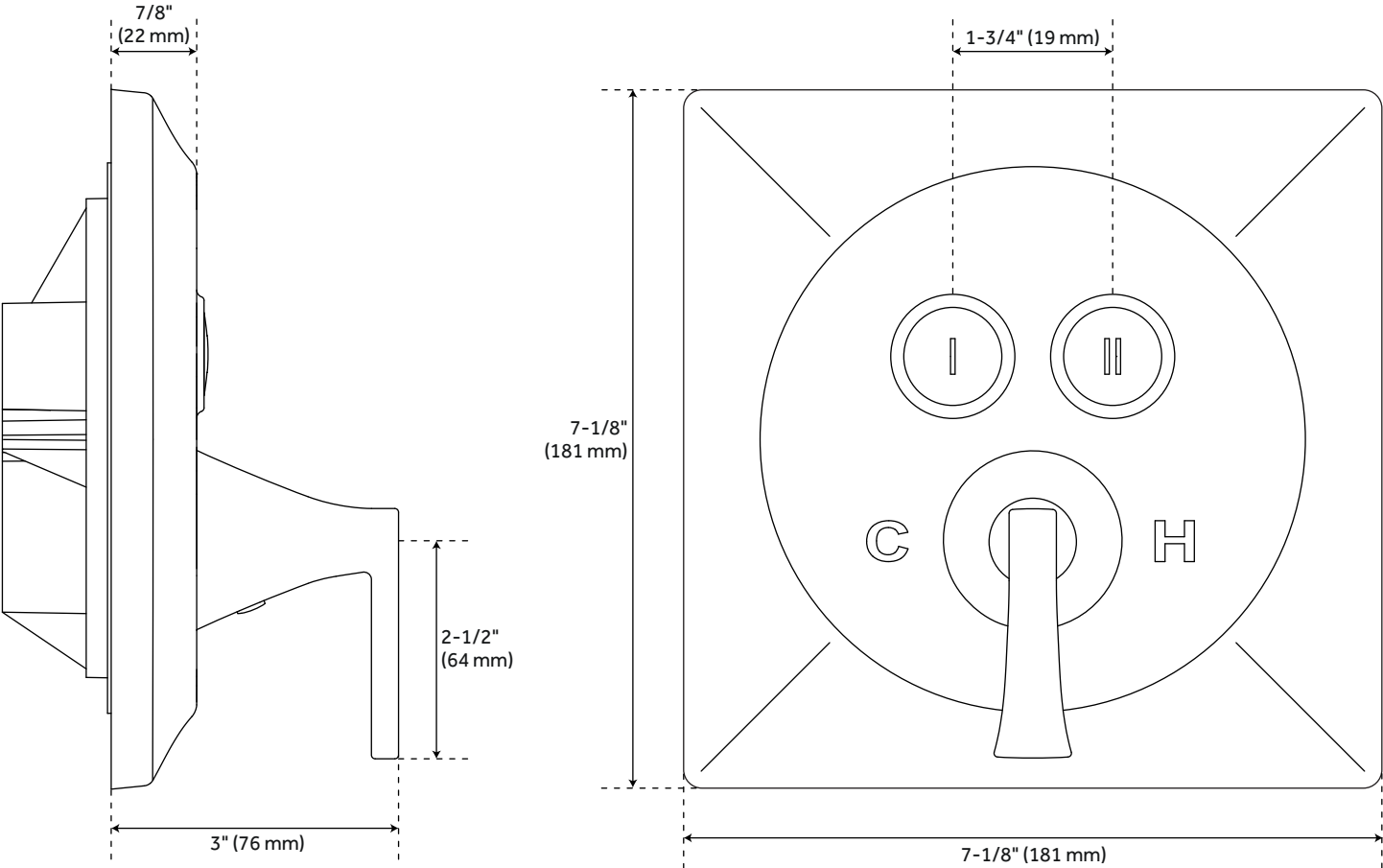


ADDITIONAL FEATURES

- Metal handle.
- Optional Rough-in Valve:
 - Pressure balance valve with integral stops.
 - One-piece cartridge design for ease of maintenance.
 - Back-to-back capability.
 - Ceramic disc valve cartridge.
 - Cast bronze valve body.
 - Adjustable temperature limit stop.
 - Quick remove plaster guard.
 - Easy mounting brackets.

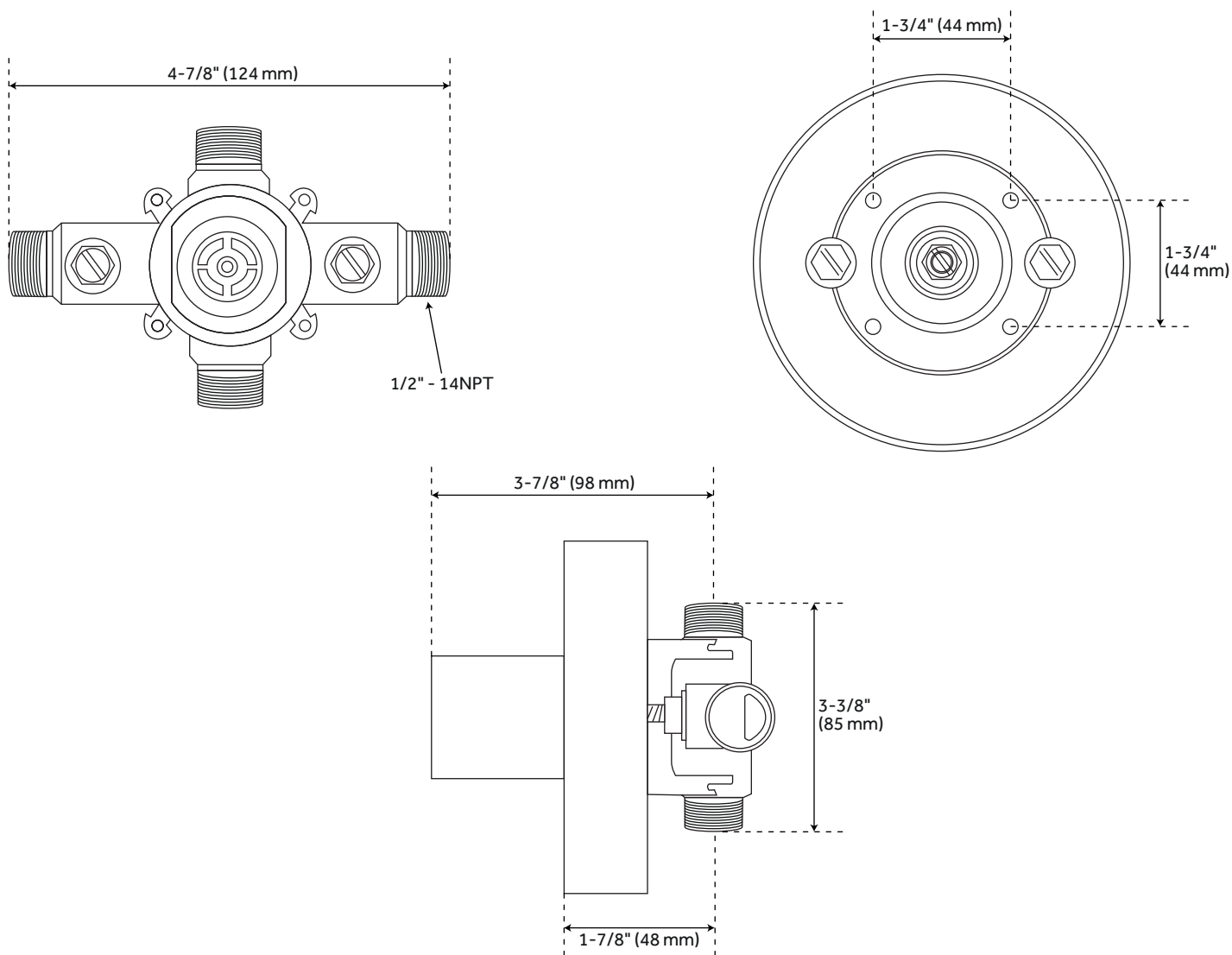
REVISED 2/27/2024

VALMONTE PRESSURE BALANCE SHOWER VALVE



All dimensions and specifications are nominal and may vary. Use actual products for accuracy in critical situations.

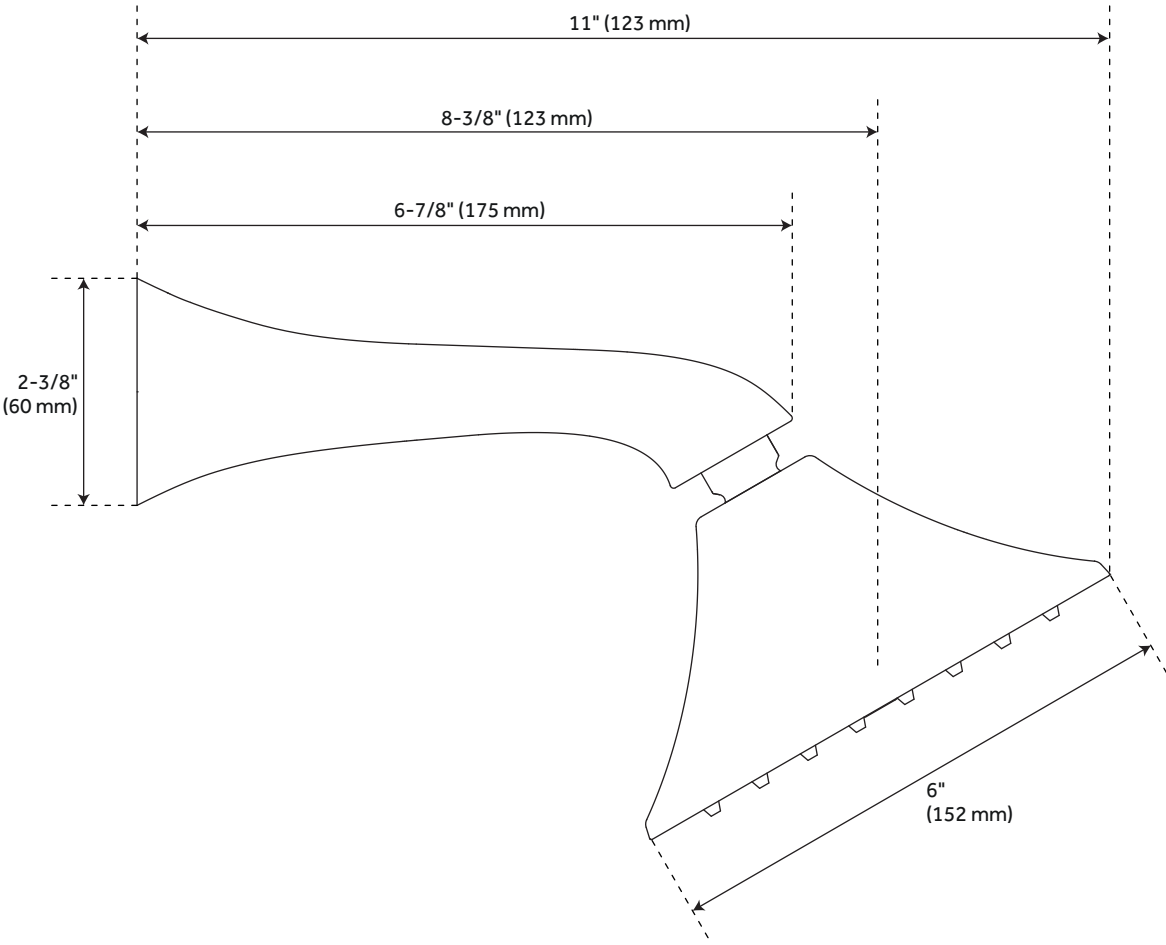
VILAMONTE OPTIONAL ROUGH-IN VALVE FOR PRESSURE BALANCE VALVE TRIM



All dimensions and specifications are nominal and may vary. Use actual products for accuracy in critical situations.

Code: SH4001

VALMONTE WALL-MOUNT SHOWER HEAD



All dimensions and specifications are nominal and may vary. Use actual products for accuracy in critical situations.