

PENDLETON PRESSURE BALANCE TUB AND SHOWER SET

SKU: 948672

Code: SHPT8030G, SH4001



FEATURES

Material: Brass

Shower Head Swivel: Yes

Shower Head Spray: Full

Shower Head Flow Rate: 1.8 gpm (6.8 L/min) @ 80 psi

Connection Type: 1/2" MIP and SWT

Cartridge Type: Ceramic Disc

ASME A112.18.1/CSA B125.1, ASSE 1016 Type P, CEC Listed, WaterSense by IAPMO, Massachusetts Accepted, LISTED ID: SHPT8030G*, SH4001



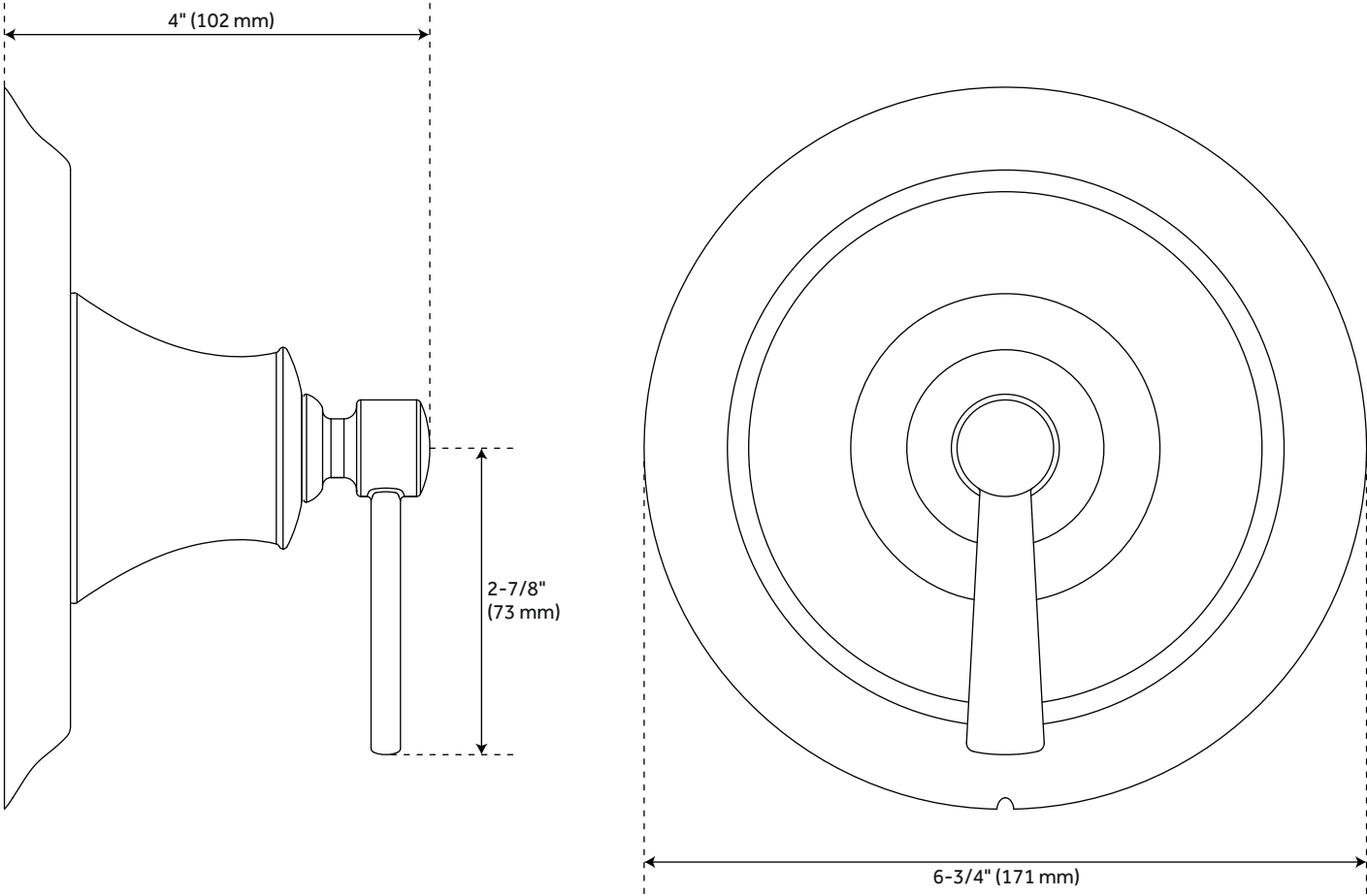
ADDITIONAL FEATURES

- Metal handle
- Tub spout diverter.
- Slip-fit tub spout.
- Optional Rough-in Valve:
 - Pressure balance valve with integral stops.
 - One-piece cartridge design for ease of maintenance.
 - Back-to-back capability.
 - Ceramic disc valve cartridge.
 - Cast bronze valve body.
 - Adjustable temperature limit stop.
 - Quick remove plaster guard.
 - Easy mounting brackets.

REVISED 8/29/2024

PENDLETON PRESSURE BALANCE SHOWER VALVE

SKU: 948672
SHPT8030G

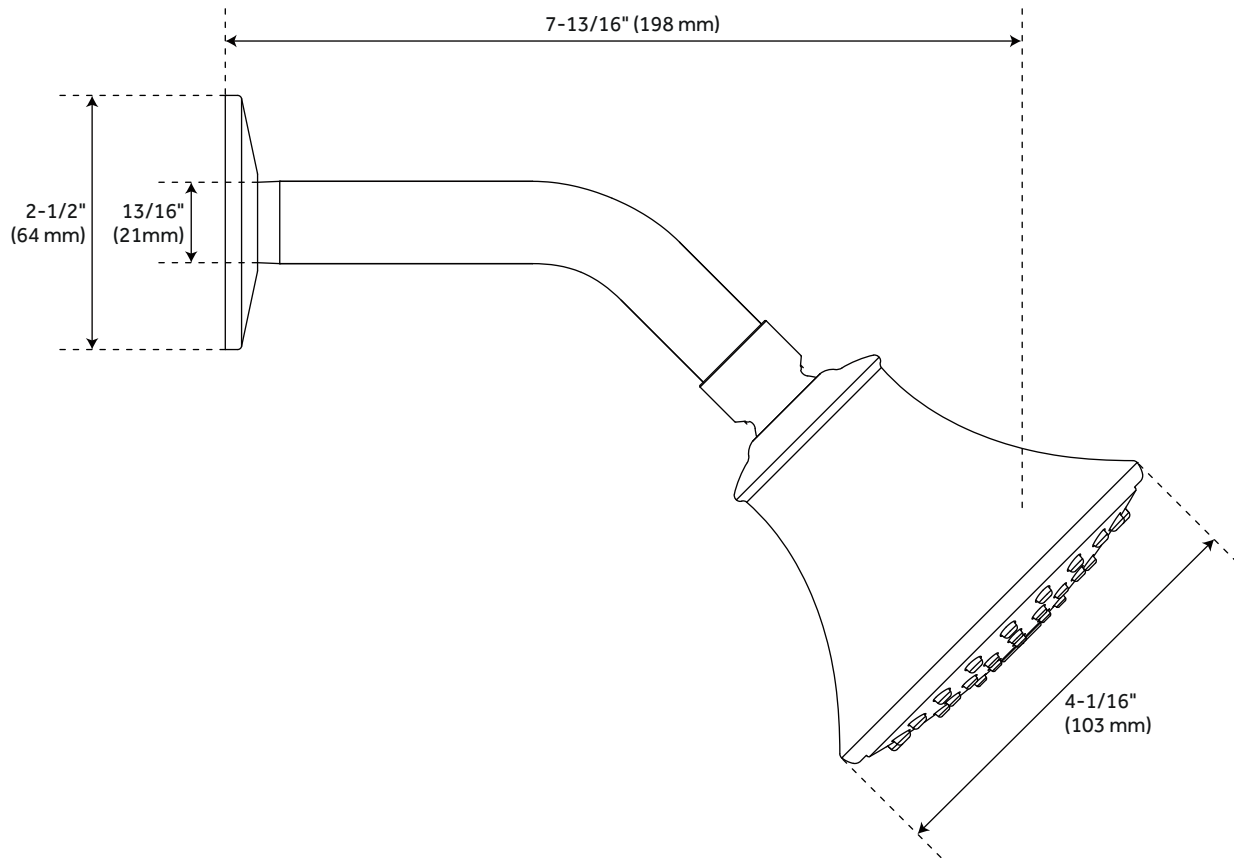


All dimensions and specifications are nominal and may vary. Use actual products for accuracy in critical situations.

PENDLETON WALL-MOUNT SHOWER HEAD

SKU: 948672

SHPT8030G

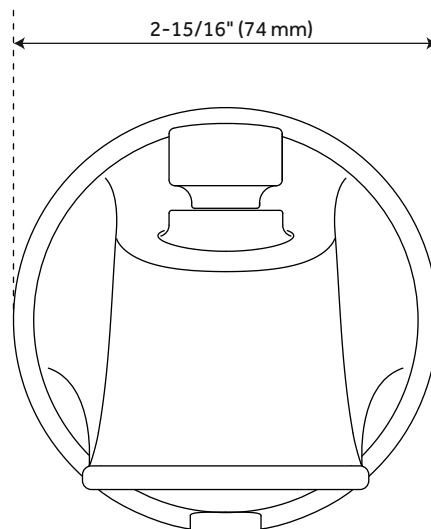
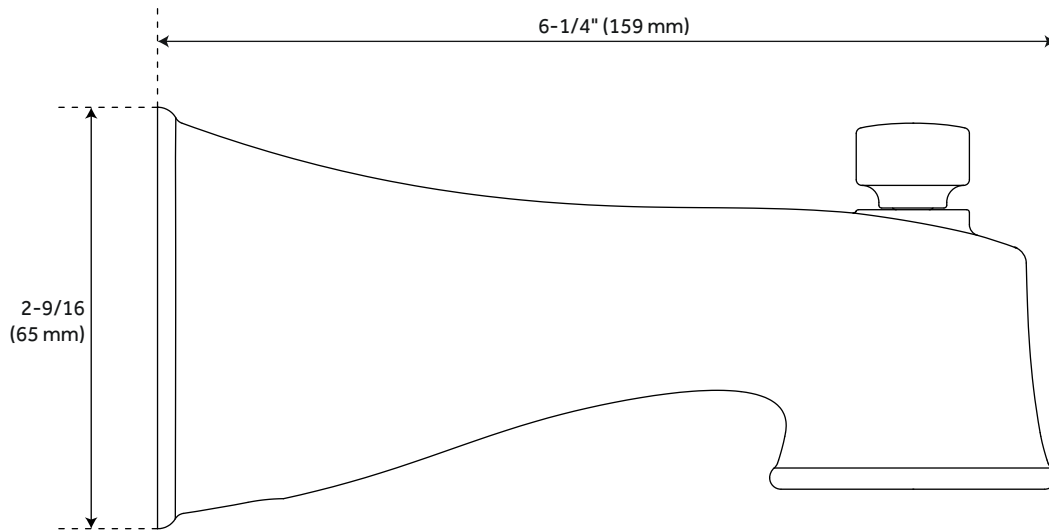


All dimensions and specifications are nominal and may vary. Use actual products for accuracy in critical situations.

PENDLETON TUB SPOUT WITH DIVERTER

SKU: 948672

SHPT8030G



All dimensions and specifications are nominal and may vary. Use actual products for accuracy in critical situations.

PRESSURE BALANCE TUB & SHOWER ROUGH-IN VALVE

SKU: 446520
Code: SH4001



FEATURES

Material: Bronze
Flow Rate: 6.34 gpm (24.0 L/min) @ 80 psi
Connection Type: 1/2" MIP and SWT
Cartridge Type: Ceramic Disc

IAPMO, ASME A112.18.1/CSA B125.1, ASSE 1016 Type P, Massachusetts Accepted, LISTED ID: SH4001



ADDITIONAL FEATURES

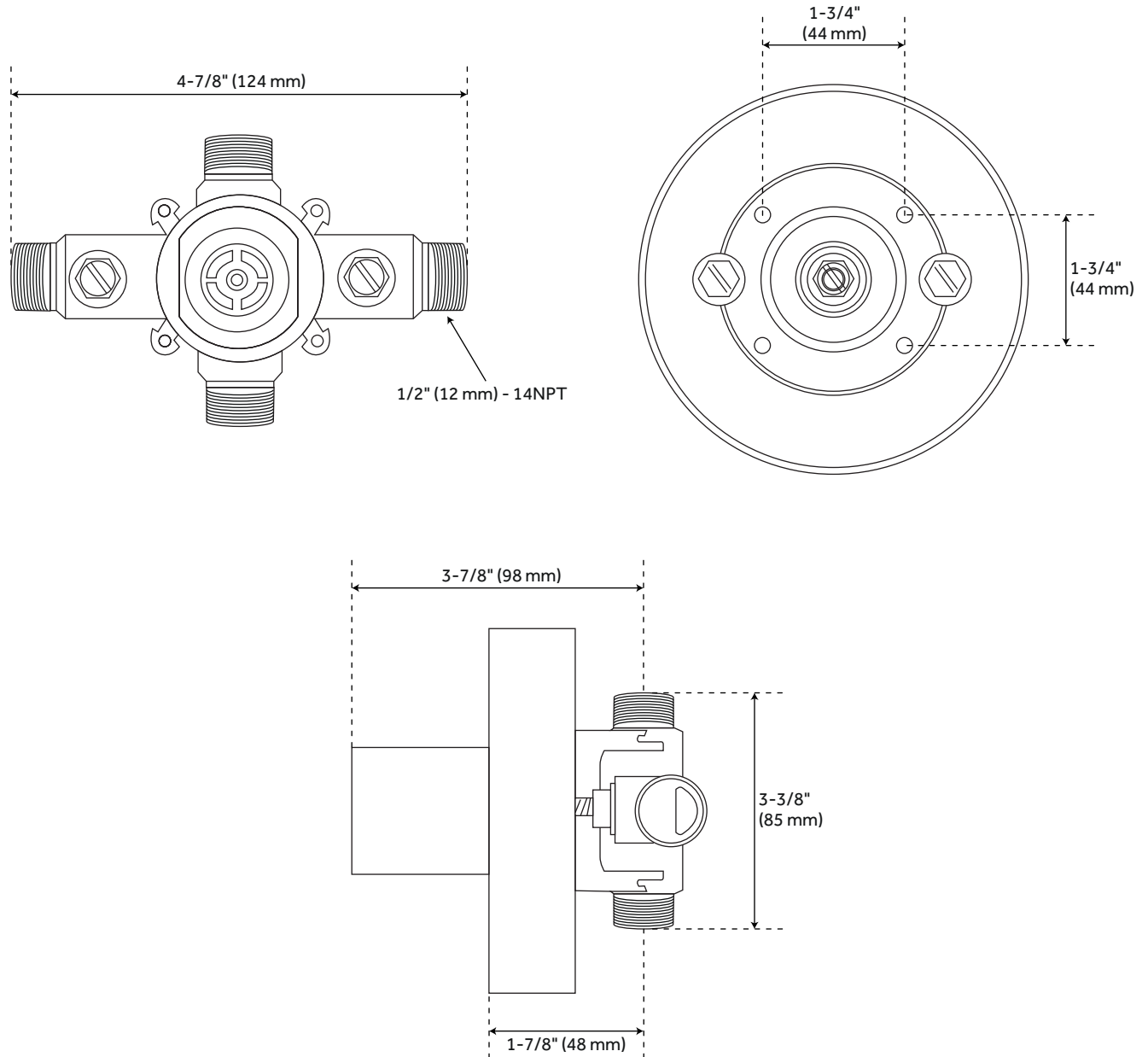
- Compatible with Beasley, Berwyn, Boca Raton, Drea, Edenton, Elita, Greyfield, Gunther, Hibiscus, Key West, Lentz, Lexia, Pendleton, Pinecrest, Provincetown, Rigi, Sefina, Vassor and Vilamonte Pressure Balance Trims.
- Pressure balance valve with integral stops.
- One-piece ceramic cartridge design for ease of maintenance.
- Back-to-back capability
- Cast bronze valve body.
- Adjustable temperature limit stop.
- Quick remove plaster guard and easy mounting brackets.

REVISED 8/14/2024

PRESSURE BALANCE TUB AND SHOWER ROUGH-IN VALVE

SKU: 446520

SH4001



All dimensions and specifications are nominal and may vary. Use actual products for accuracy in critical situations.