

BEASLEY 4-HOLE ROMAN TUB FAUCET AND HAND SHOWER

SKU: 948676

Code: SHBE4RTG2, SH674164



FEATURES

Material: Metal construction for strength and durability

Faucet Centers: 8"-16"

Installation Type: Deck Mount

Hand Shower Flow Rate: 1.75 gpm (6.6 L/min) @ 80 psi

Cartridge Type: Ceramic Disc

Swivel Spout: No

Required for Installation: Rough-in valve: SH674164

ASME A112.18.1/CSA B125.1, ICC/ANSI A117.1, CEC Listed, WaterSense by IAPMO, Massachusetts Accepted, LISTED ID: SHBE4RTG2*, SH674164



ADDITIONAL FEATURES

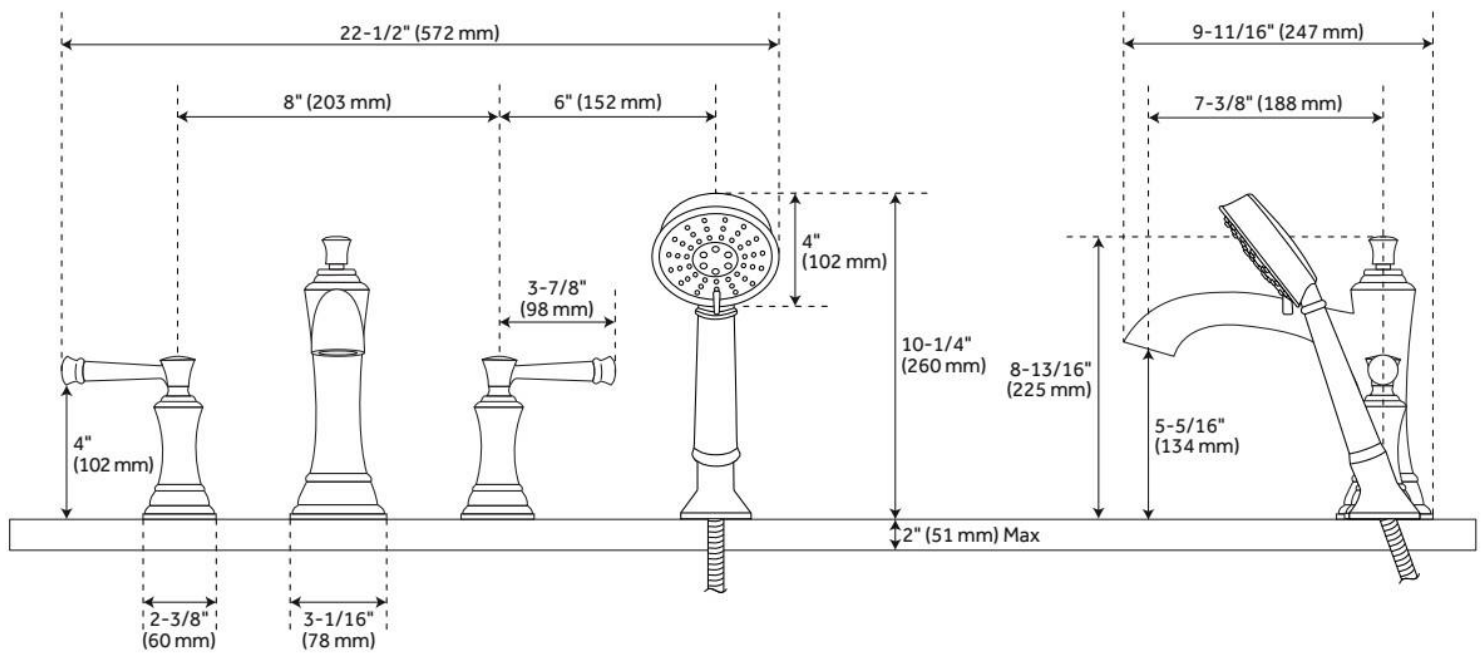
- 4-hole installation.
- Lift rod diverter to hand shower.
- Multi-function hand shower: full spray, massage, full & massage.
- Hand shower includes factory installed backflow prevention check valve.
- Accommodates an 8" - 16" faucet's spread.
- Deck thickness max. 1.5" or screws can be removed to accommodate thicker deck installations up to 2".

REVISED 2/24/2025

BEASLEY 4-HOLE ROMAN TUB FAUCET AND HAND SHOWER

SKU: 948676

Code: SHBE4RTG2, SH674164



REVISED 2/24/2025

4-HOLE ROMAN TUB FAUCET ROUGH-IN VALVE

SKU: 448005
Code: SH674164

FEATURES



IAPMO, ASME A112.18.1/CSA B125.1, Massachusetts Accepted, LISTED ID: SH674164



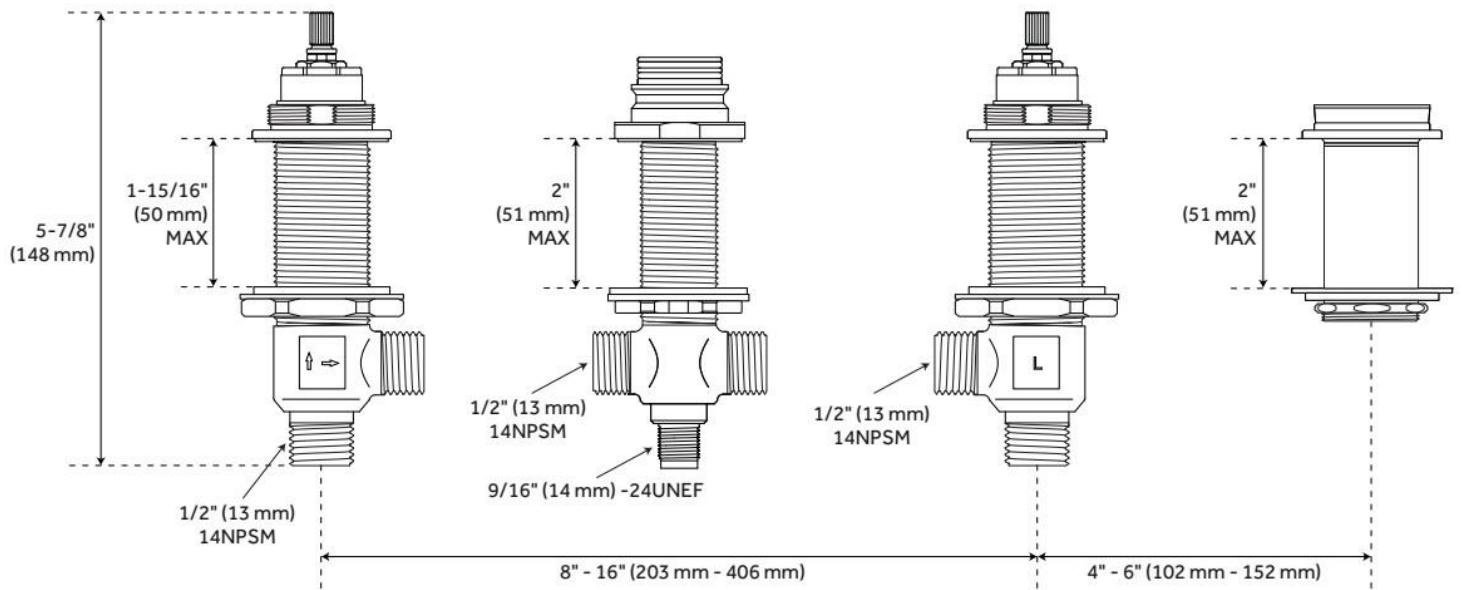
ADDITIONAL FEATURES

- 4-Hole Installation.
- Brass coupling nut.
- Faucet can be installed with variable centers from 8" - 16".

REVISED 2/17/2025

4-HOLE ROMAN TUB FAUCET ROUGH-IN VALVE

SKU: 448005
Code: SH674164



REVISED 2/17/2025