

# BEASLEY 4-HOLE ROMAN TUB FAUCET AND HAND SHOWER

SKU: 948676

Code: SHBE4RTG2, SH674164



## FEATURES

Material: Metal construction for strength and durability

Installation Type: Deck Mount

Flow Rate: 15.5 gpm (58.7 L/min) @ 80 PSI

Hand Shower Flow Rate: 1.8 gpm (6.8 L/min) @ 80 psi

Spray Type: Full

Cartridge Type: Ceramic Disc

Swivel Spout: No

Required for Installation: Rough-in valve: SH674164

ASME A112.18.1/CSA B125.1, ICC/ANSI A117.1, CEC Listed, WaterSense by IAPMO, Massachusetts Accepted, LISTED ID: SHBE4RTG2\*, SH674164



## ADDITIONAL FEATURES

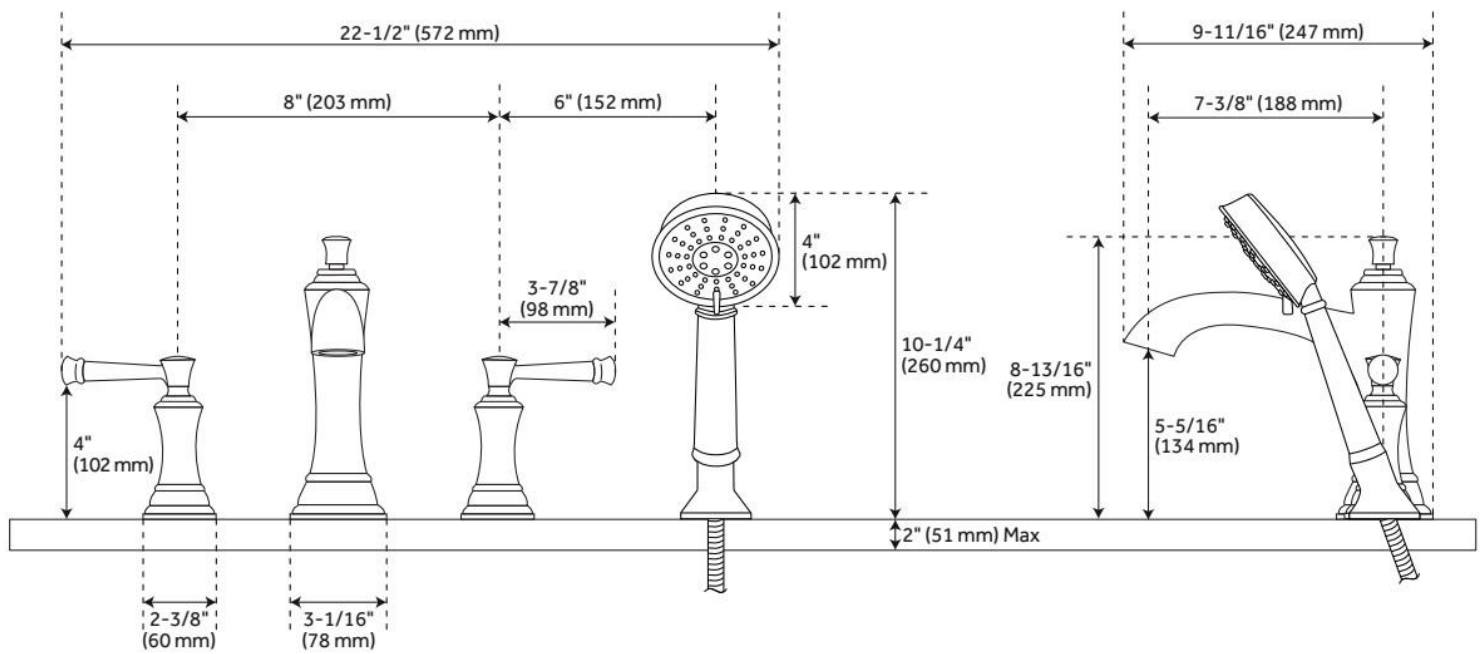
- 4-hole installation.
- Lift rod diverter to handshower.
- Handshower includes factory installed backflow prevention check valve.
- Optional rough-in valve:
  - Brass coupling nut.
  - Accommodates an 8" - 16" faucet's spread.
  - Deck thickness max. 1.5" or screws can be removed to accommodate thicker deck installations up to 2".

REVISED 5/15/2024

# BEASLEY 4-HOLE ROMAN TUB FAUCET AND HAND SHOWER

SKU: 948676

Code: SHBE4RTG2, SH674164



REVISED 5/15/2024

# 4-HOLE ROMAN TUB FAUCET ROUGH-IN VALVE

SKU: 448005  
Code: SH674164

## FEATURES

Installation Type: Deck Mount



ASME A112.18.1/CSA B125.1, Massachusetts Accepted, LISTED ID: SH674164



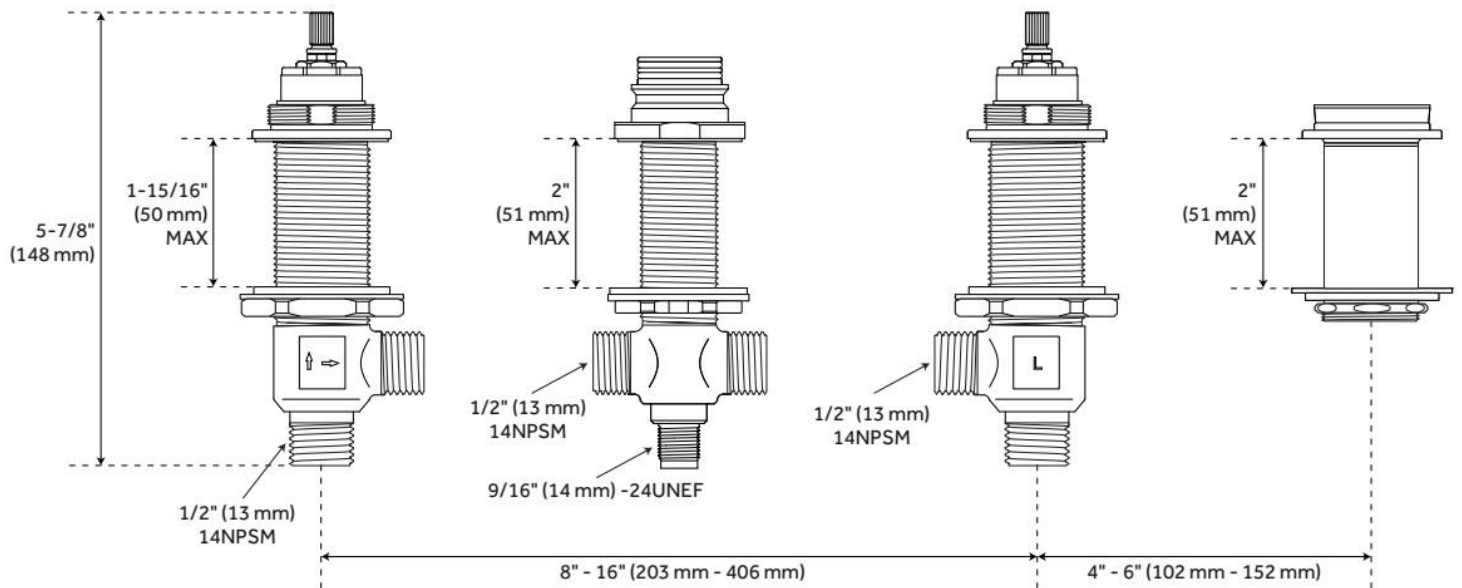
## ADDITIONAL FEATURES

- Compatible with Beasley, Carraway, Provincetown, St. Martin and Vilamonte 4-Hole Roman Tub Faucets.
- 4-Hole Installation.
- Brass coupling nut.
- Faucet can be installed with variable centers from 8" - 16".

REVISED 5/15/2024

# 4-HOLE ROMAN TUB FAUCET ROUGH-IN VALVE

SKU: 448005  
Code: SH674164



REVISED 5/15/2024