

PROVINCETOWN 4-HOLE ROMAN TUB FAUCET AND HAND SHOWER

SKU: 948684

Code: SHPR4RTG, SH674164



FEATURES

Material: Metal construction for strength and durability

Faucet Centers: 8" - 16"

Installation Type: Deck Mount

Tub Spout Flow Rate: 18.9 gpm (71.5 L/min) @ 80 psi

Hand Shower Flow Rate: 1.75 gpm (6.6 L/min) @ 80 psi

Spray Type: Full

Cartridge Type: Ceramic Disc

Swivel Spout: No

Required for Installation: Required for installation: Rough-in valve: SH674164

ASME A112.18.1/CSA B125.1, ICC/ANSI A117.1, CEC Listed, WaterSense by IAPMO, Massachusetts Accepted, LISTED ID: SHPR4RTG*, SH674164



ADDITIONAL FEATURES

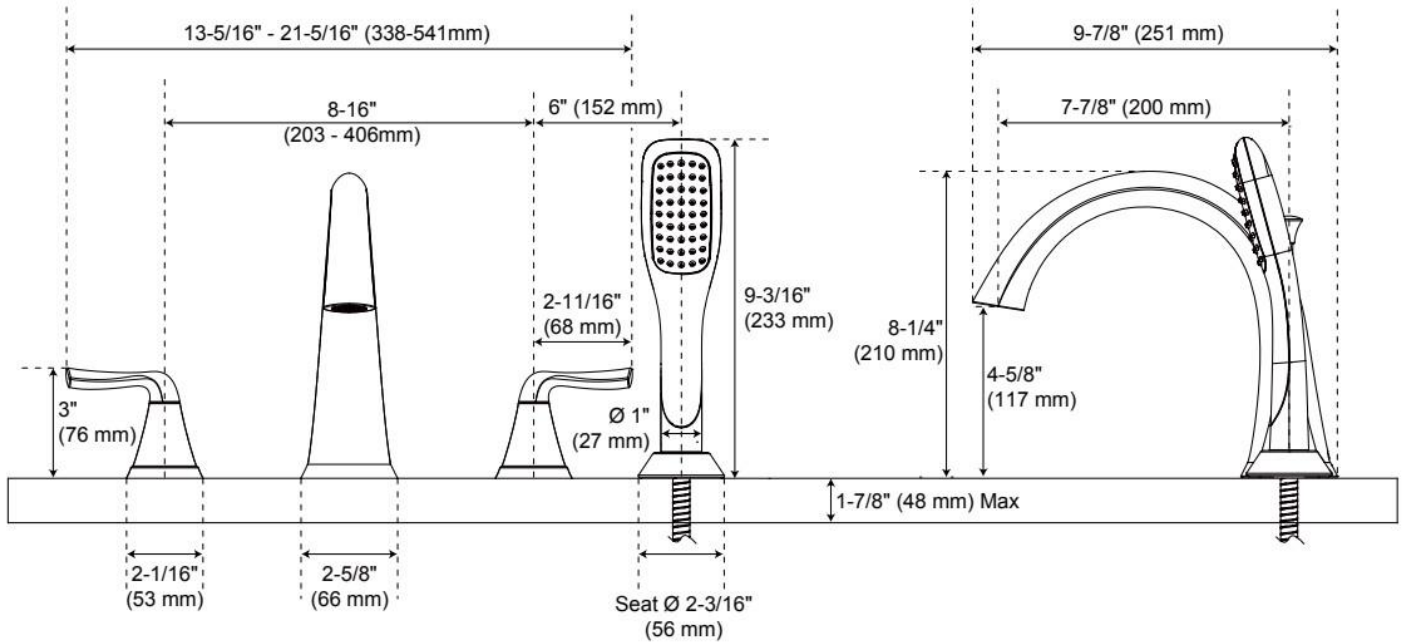
- Single function hand shower (full spray).
- Lift rod diverter to hand shower.
- Hand shower includes factory installed backflow prevention check valve.

REVISED 2/8/2025

PROVINCETOWN 4-HOLE ROMAN TUB FAUCET AND HAND SHOWER

SKU: 948684

Code: SHPR4RTG, SH674164



REVISED 2/8/2025

4-HOLE ROMAN TUB FAUCET ROUGH-IN VALVE

SKU: 448005
Code: SH674164

FEATURES



IAPMO, ASME A112.18.1/CSA B125.1, Massachusetts Accepted, LISTED ID: SH674164



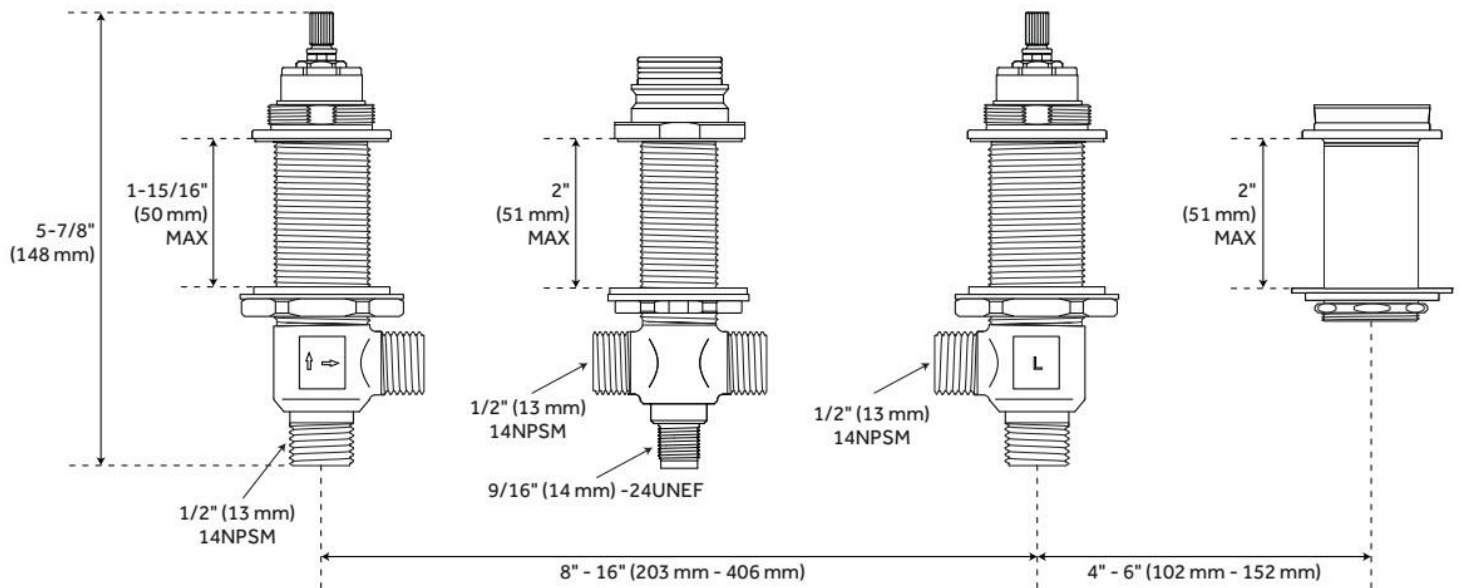
ADDITIONAL FEATURES

- 4-Hole Installation.
- Brass coupling nut.
- Faucet can be installed with variable centers from 8" - 16".

REVISED 2/8/2025

4-HOLE ROMAN TUB FAUCET ROUGH-IN VALVE

SKU: 448005
Code: SH674164



REVISED 2/8/2025