

RIGI PRESSURE BALANCE SHOWER VALVE

SKU: 948895

Code: SHRI8010, SH4001



FEATURES

Installation Type: Wall Mount

Features: Pressure-Balanced

Design: Modern

Material: Brass

Assembly Required: No

Shape: Square

Handle Type: Lever

Installation Type: Wall Mount

NPT Connection: 1/2"

Valve Trim Width: 6-3/4"

Valve Trim Height: 6-3/4"

ASME A112.18.1/CSA B125.1

ASSE 1016 Type P



REVISED 3/22/2023

RIGI PRESSURE BALANCE SHOWER VALVE

SKU: 948895

Code: SHRI8010, SH4001



ADDITIONAL FEATURES

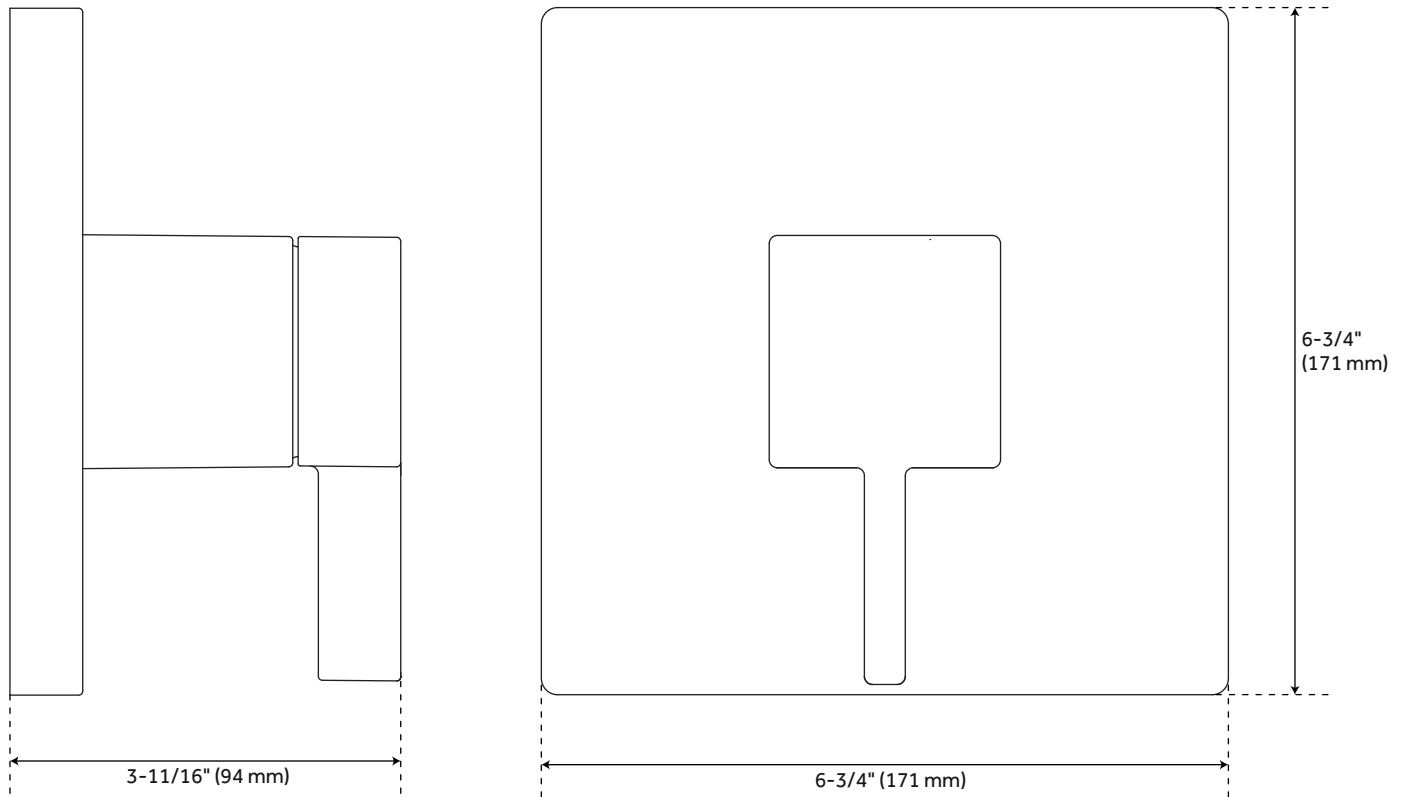
- Metal handle.
- Optional Rough-in Valve:
 - Pressure balance valve with integral stops.
 - One-piece cartridge design for ease of maintenance.
 - Back-to-back capability.
 - Ceramic disc valve cartridge.
 - Cast bronze valve body.
 - Adjustable temperature limit stop.
 - Quick remove plaster guard.
 - Easy mounting brackets.

REVISED 3/22/2023

RIGI PRESSURE BALANCE SHOWER VALVE

SKU: 948895

SHRI8010, SHRI8010Z

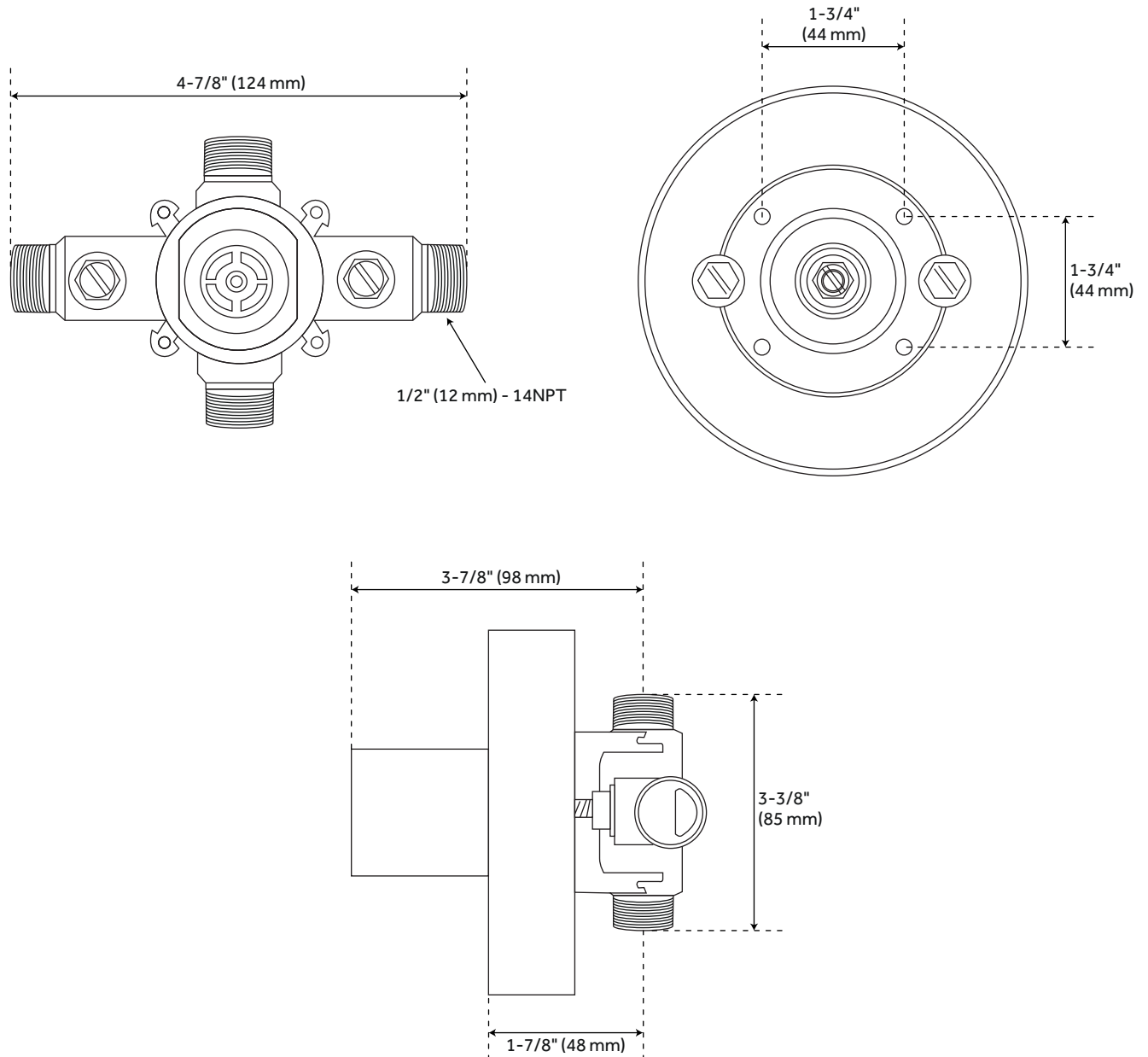


All dimensions and specifications are nominal and may vary. Use actual products for accuracy in critical situations.

RIGI OPTIONAL PRESSURE BALANCE TUB & SHOWER ROUGH-IN VALVE

SKU: 948895

SH4001



All dimensions and specifications are nominal and may vary. Use actual products for accuracy in critical situations.