

# VILAMONTE PRESSURE BALANCE SHOWER VALVE

SKU: 948897

Code: SHVL8010, SH4001



## FEATURES

Material: Metal

Required for Installation: Rough-in valve: SH4001

ASME A112.18.1/CSA B125.1, ASSE 1016 Type P, Massachusetts Accepted, LISTED ID: SHVL8010\*, SH4001



## ADDITIONAL FEATURES

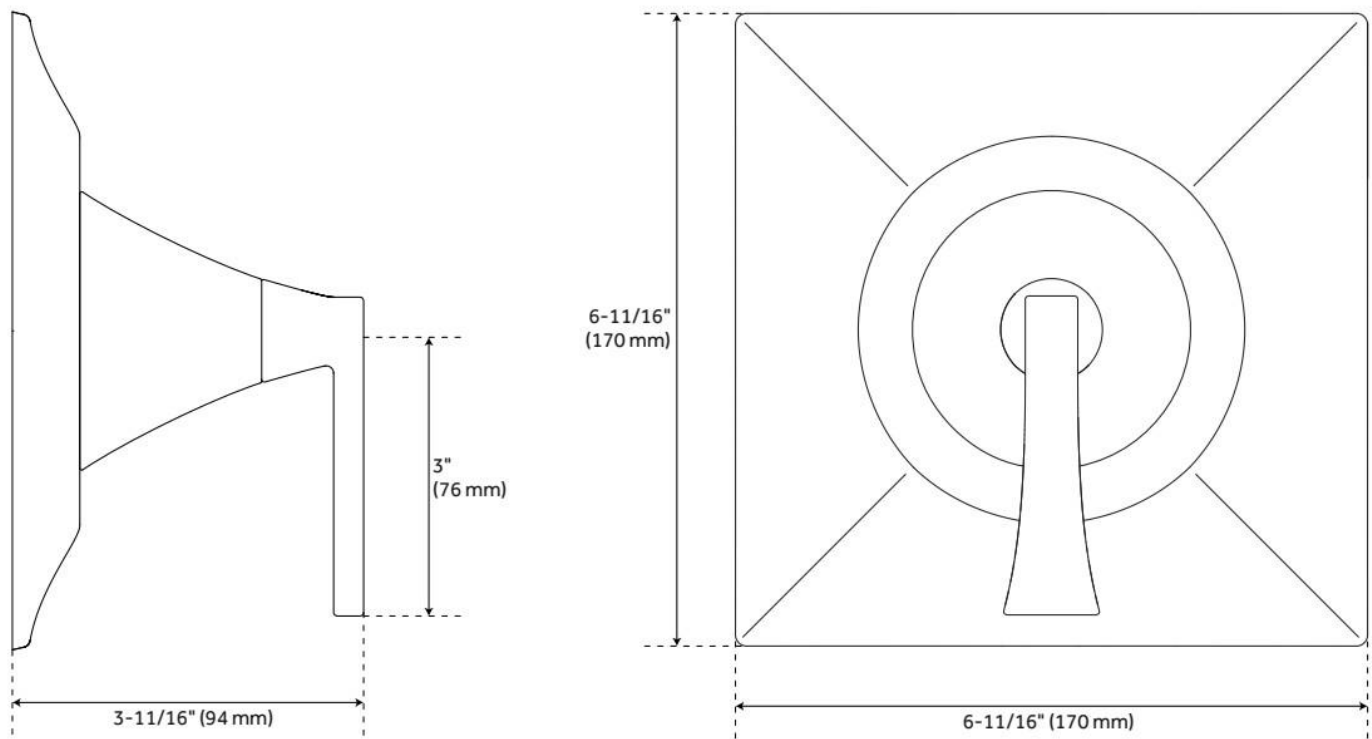
- Metal handle.
- Optional Rough-in Valve:
  - Pressure balance valve with integral stops.
  - One-piece cartridge design for ease of maintenance.
  - Back-to-back capability.
  - Ceramic disc valve cartridge.
  - Cast bronze valve body.
  - Adjustable temperature limit stop.
  - Quick remove plaster guard.
  - Easy mounting brackets.

REVISED 10/22/2024

# VILAMONTE PRESSURE BALANCE SHOWER VALVE

SKU: 948897

Code: SHVL8010, SH4001



REVISED 10/22/2024