

ROUND FLUSH-MOUNT SWIVEL BODY SPRAY

SKU: 948943

Code: SHBS6010E, SH488914



FEATURES

Material: Brass

Shower Head Swivel: Yes

Flow Rate: 2.5 gpm (9.5 L/min) @ 80 psi

Connection Type: 1/2" IPS

ASME A112.18.1/CSA B125.1, Massachusetts Accepted, LISTED ID: SHBS6010E**



ADDITIONAL FEATURES

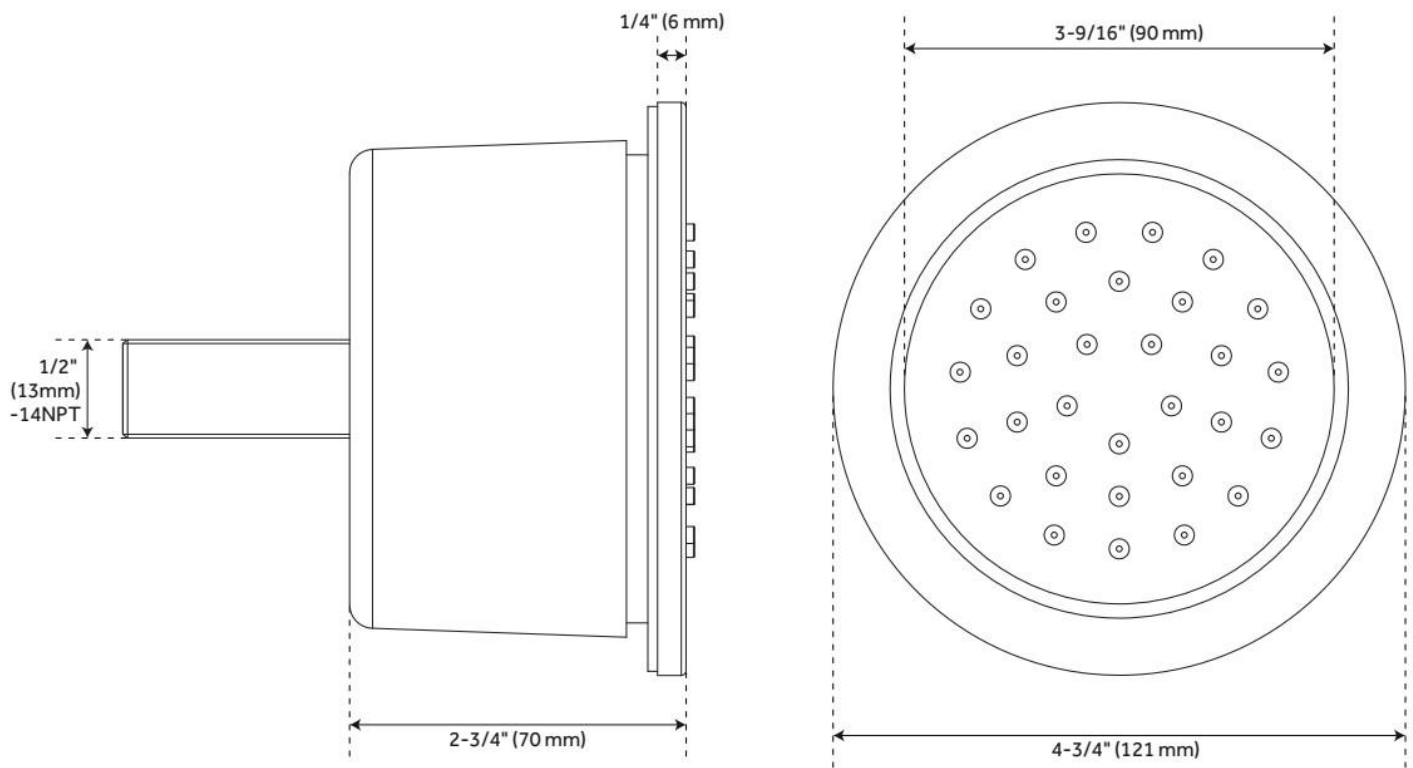
- 1/2" Male connection.
- Jet surface area: 3-9/16"
- Surface depth: 1/4"

REVISED 5/24/2024

ROUND FLUSH-MOUNT SWIVEL BODY SPRAY

SKU: 948943

Code: SHBS6010E, SH488914



REVISED 5/24/2024