

HIBISCUS SIMPLE SELECT 2-WAY PRESSURE BALANCE SHOWER VALVE

SKU: 948974

Code: SHHB8040, SH5001SSG



FEATURES

Material: Brass

Connection Type: 1/2" MIP and SWT

Diverter Outlets: 2

Cartridge Type: Ceramic Disc

ASME A112.18.1/CSA B125.1, ASSE 1016 Type P, Massachusetts Accepted, LISTED ID: SHHB8040*, SH5001SSG



ADDITIONAL FEATURES

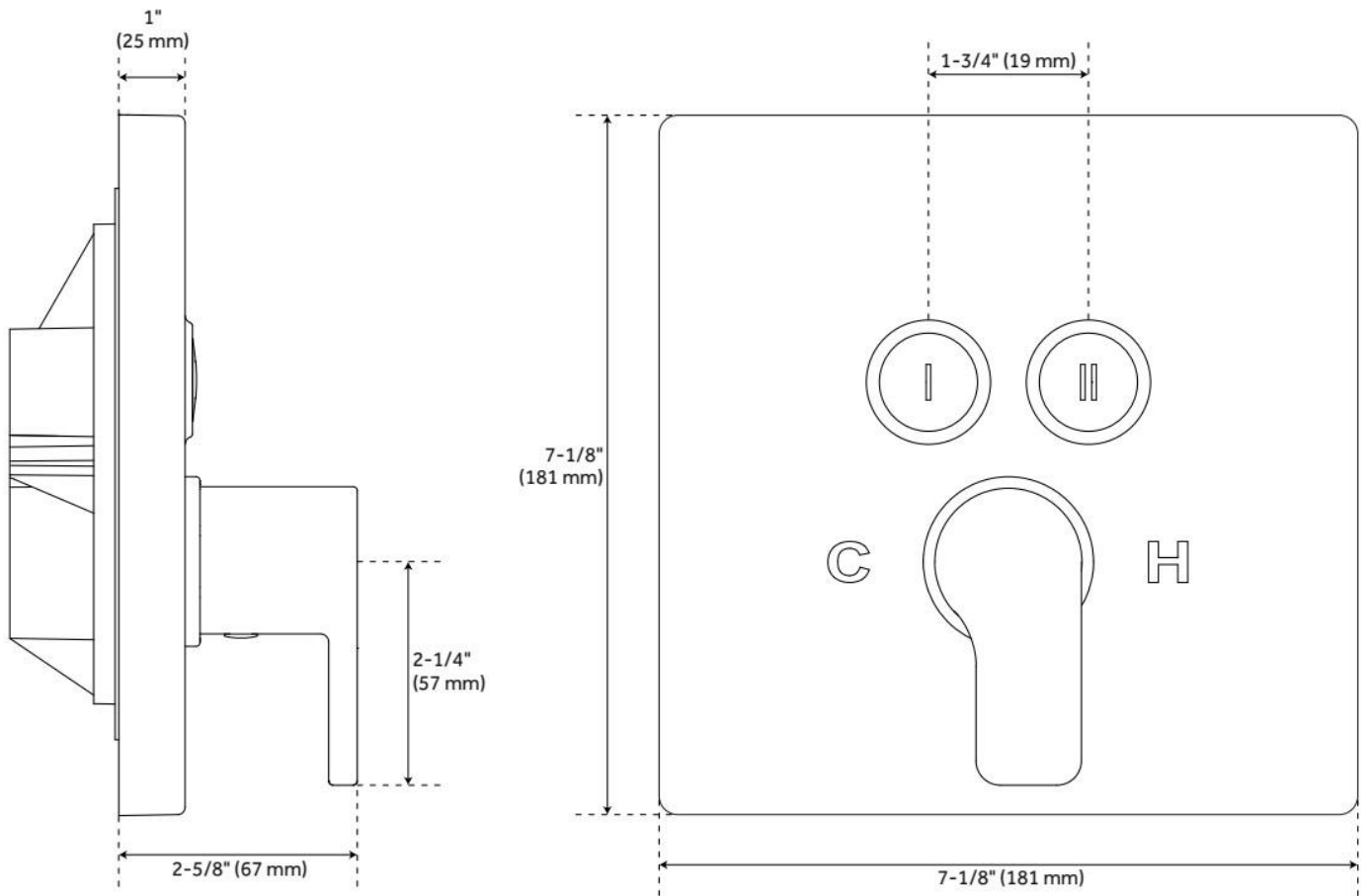
- Dual functionality allows for one or both shower features to run at a time.
- Optional Rough-in Valve:
 - Pressure balanced with integral stops.
 - One-piece cartridge design for ease of maintenance.
 - Back-to-back capability.
 - Adjustable temperature limit stop.
 - Cast bronze body.
 - Quick remove plaster guard.
 - Easy mounting brackets.
 - Valve Dimensions: 4-7/8" L x 4-3/8" W x 5-1/2" D .

REVISED 6/12/2024

HIBISCUS SIMPLE SELECT 2-WAY PRESSURE BALANCE SHOWER VALVE

SKU: 948974

Code: SHHB8040, SH5001SSG



REVISED 6/12/2024

PRESSURE BALANCE ROUGH-IN VALVE FOR SIMPLE SELECT TRIMS

SKU: 460073
Code: SH5001SSGG



FEATURES

Material: Bronze
Flow Rate: 7.4 gpm (28.0 L/min) @ 80 psi
Connection Type: 1/2" MIP and SWT
Diverter Outlets: 2
Cartridge Type: Ceramic Disc

IAPMO, ASME A112.18.1/CSA B125.1, ASSE 1016 Type P, Massachusetts Accepted, LISTED ID: SH5001SSG



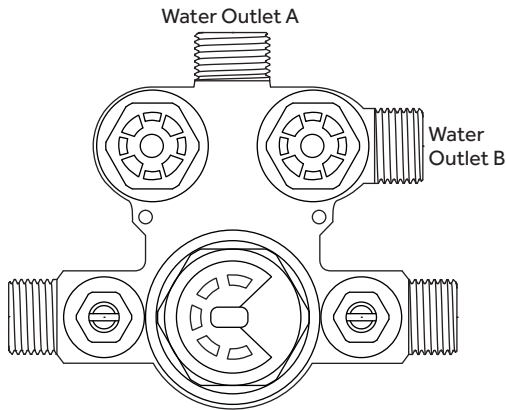
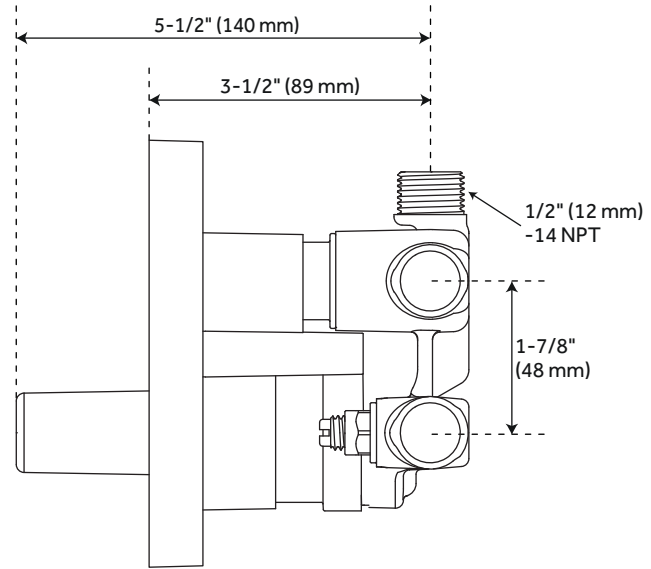
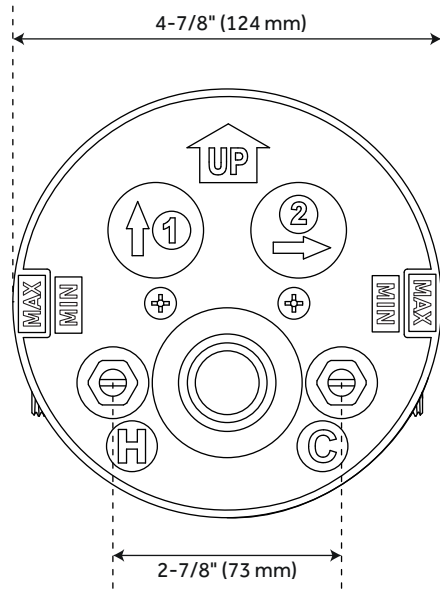
ADDITIONAL FEATURES

- Dual functionality allows for one or both shower features to run at a time.
- Pressure balanced with integral stops.
- One-piece cartridge design for ease of maintenance.
- Back-to-back capability.
- Adjustable temperature limit stop.
- Cast bronze body.
- Quick remove plaster guard.
- Easy mounting brackets.
- Compatible with Greyfield and Hibiscus Simple Select trims.

REVISED 5/29/2024

PRESSURE BALANCE ROUGH-IN VALVE FOR SIMPLE SELECT TRIMS

SKU: 460073
SH5001SSGG



STANDARD:

Pressure (psi)		20	40	60	80
Simultaneous (Both Valves Open)	Total (gpm)	3.4	5	6.3	7.4
	Outlet A (gpm)	1.2	2.2	2.9	3.5
	Outlet B (gpm)	2.2	2.8	3.4	3.9
Separate (A or B Closed)	Outlet A (gpm)	2.5	3.9	4.8	5.5
	Outlet B (gpm)	2.5	3.9	4.8	5.5

WITH FLOW RESTRICTOR:

Pressure (psi)		20	40	60	80
Simultaneous (Both Valves Open)	Total (gpm)	1.20	1.40	1.53	1.64
	Outlet A (gpm)	0.43	0.56	0.64	0.68
	Outlet B (gpm)	0.77	0.84	0.89	0.96
Separate (A or B Closed)	Outlet A (gpm)	1.17	1.38	1.49	1.59
	Outlet B (gpm)	1.16	1.39	1.49	1.60

All dimensions and specifications are nominal and may vary. Use actual products for accuracy in critical situations.