

BEASLEY SINGLE-HOLE PULL-DOWN KITCHEN FAUCET

SKU: 949052

Code: SHXCBE107



FEATURES

Material: Metal construction for strength and durability

Installation Type: Single-Hole

Flow Rate: 1.8 gpm (6.8 L/min) @ 60 psi

Spray Type: Stream

Cartridge Type: Ceramic Disc

Swivel Spout: Yes

ASME A112.18.1/CSA B125.1, NSF/ANSI 372, NSF/ANSI 61, NSF/ANSI/CAN 61, CEC Listed, Massachusetts Accepted, LISTED ID: SHXCBE107XX



ADDITIONAL FEATURES

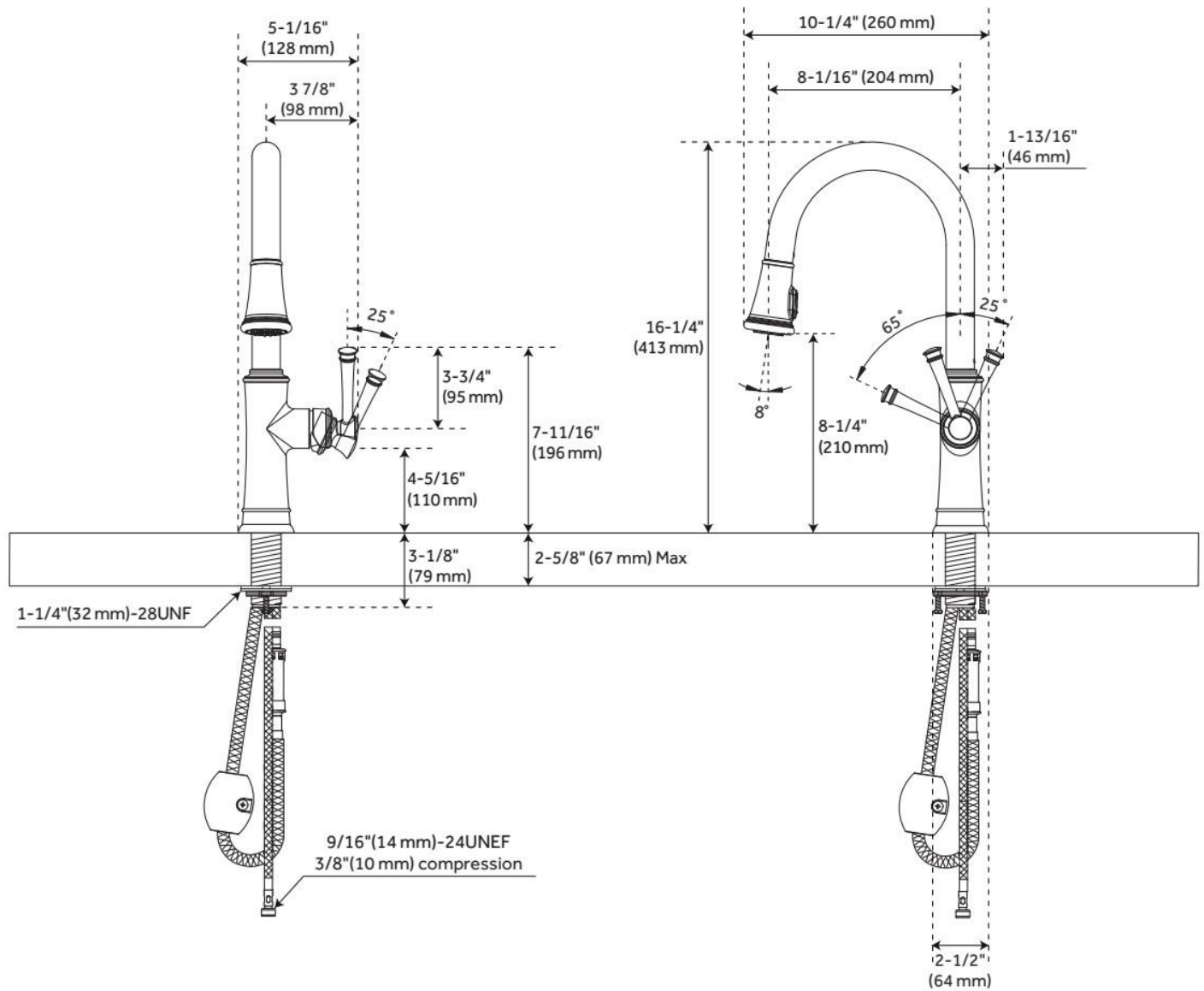
- Aerated stream and spray.

REVISED 5/15/2024

BEASLEY SINGLE-HOLE PULL-DOWN KITCHEN FAUCET

SKU: 949052

Code: SHXCBE107



REVISED 5/15/2024