

BOCA RATON TUB SPOUT WITH DIVERTER

SKU: 949106
Code: SHTS92



FEATURES

Installation Type: Wall Mount
Design: Traditional
Material: Brass
Width: 2-5/8"
Height: 2-1/2"
Base Plate Height: 2-5/8"
Assembly Required: No
Faucet Centers: Single-Hole
Installation Type: Wall
NPT Connection: 1/2"
Tub Filler Spout Reach: 5-7/16"
Diverter Included: Yes
Spout Reach: 5-7/16"
Tub Faucet Material: Metal

REVISED 3/17/2023

BOCA RATON TUB SPOUT WITH DIVERTER

SKU: 949106

Code: SHTS92



ADDITIONAL FEATURES

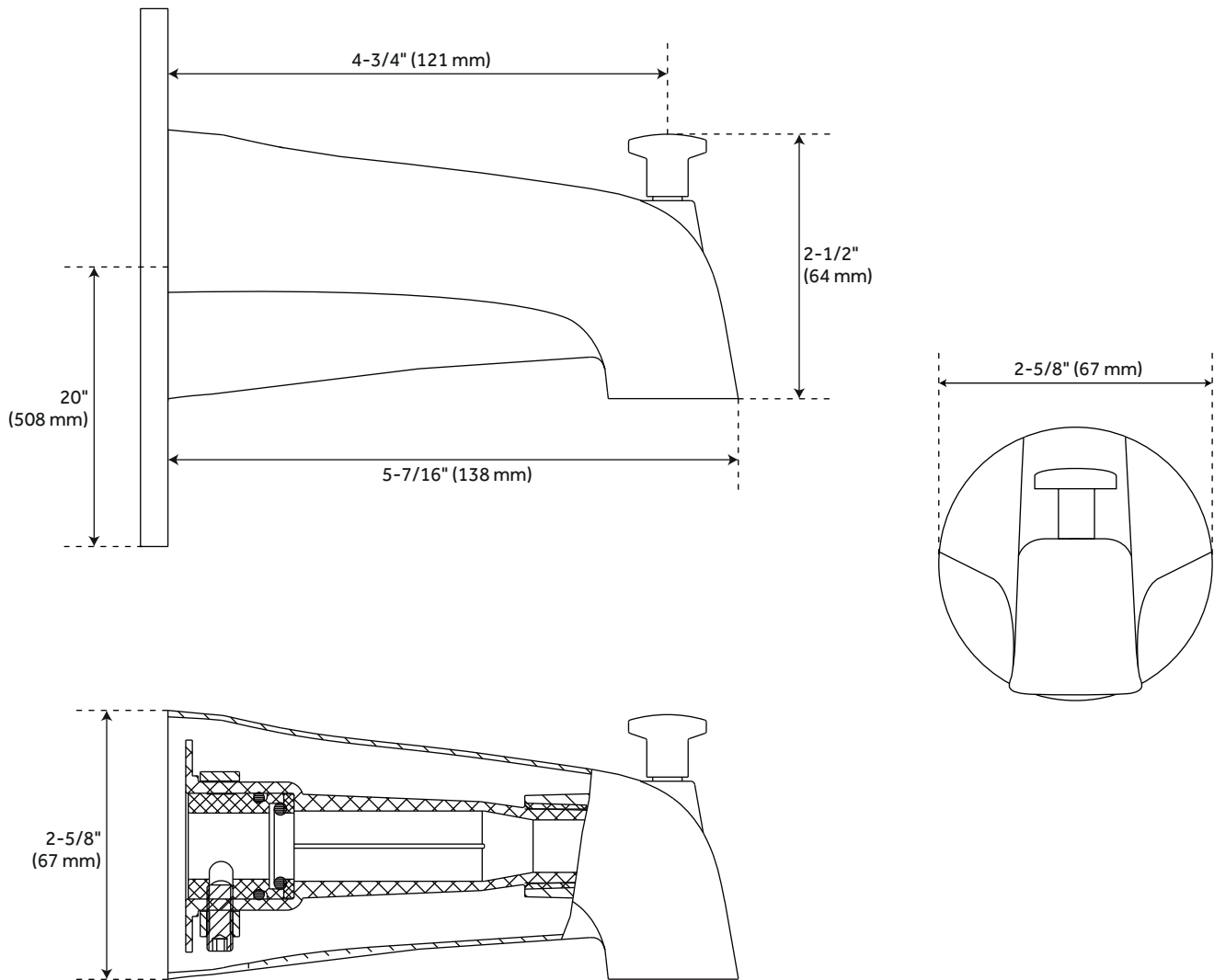
- 1/2" CTS Slip-fit connection.

REVISED 3/17/2023

BOCA RATON TUB SPOUT WITH DIVERTER

SKU: 949106

SHTS92



All dimensions and specifications are nominal and may vary. Use actual products for accuracy in critical situations.