

FANNING FILTRATION KITCHEN FAUCET

SKU: 949181

Code: SHXCFA101



FEATURES

Material: Metal construction for strength and durability

Installation Type: Single-Hole

Flow Rate: 1.8 gpm (6.8 L/min) @ 60 psi

Cartridge Type: Ceramic Disc

Swivel Spout: Yes

ASME A112.18.1/CSA B125.1, NSF/ANSI 372, NSF/ANSI 61, NSF/ANSI/CAN 61, NSF/ANSI/CAN 61-9:Q≤1, ICC/ANSI A117.1, CEC Listed, CALGreen, Massachusetts Accepted, LISTED ID: SHXCFA101*



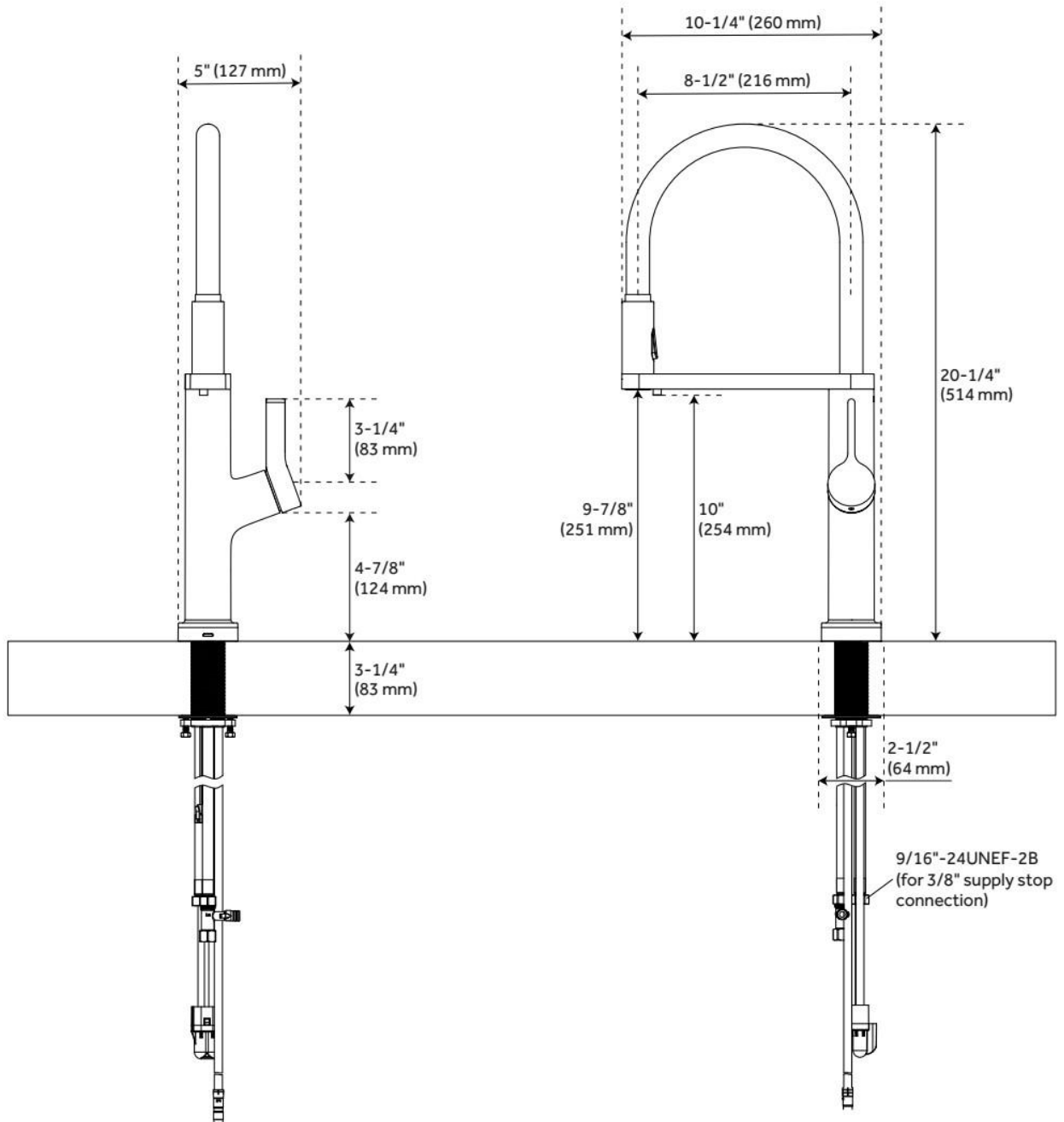
ADDITIONAL FEATURES

- Included deck plate can be used to hide unused mounting holes.
- Height with deck plate: 20-5/8".
- Length with deck plate: 10-5/8".
- Height to spout with deck plate: 10-1/4".
- Height to bottom of handle with deck plate: 5-1/4".
- Maximum Filtered Flow Rate: 0.8 gpm (3.01 L/min) at 60 psi.
- Filter Warranty: Limited 30-day manufacturer's.
- Filter Life: 6 months or 300 gallons.

REVISED 5/15/2024

FANNING FILTRATION KITCHEN FAUCET

SKU: 949181
Code: SHXCFA101



REVISED 5/15/2024