

BEASLEY SINGLE-HOLE PULL-DOWN KITCHEN FAUCET WITH DECK PLATE

SKU: 949844

Code: SHXCBE107, OBPF15Y0262700



FEATURES

Material: Metal construction for strength and durability

Installation Type: Single-Hole

Flow Rate: 1.75 gpm (6.6 L/min) @ 60 psi

Spray Type: Stream

Cartridge Type: Ceramic Disc

Swivel Spout: Yes

ASME A112.18.1/CSA B125.1, NSF/ANSI 372, NSF/ANSI 61, NSF/ANSI/CAN 61, NSF/ANSI/CAN 61-9:Q≤1, CEC Listed, Massachusetts Accepted, LISTED ID: SHXCBE107XX



ADDITIONAL FEATURES

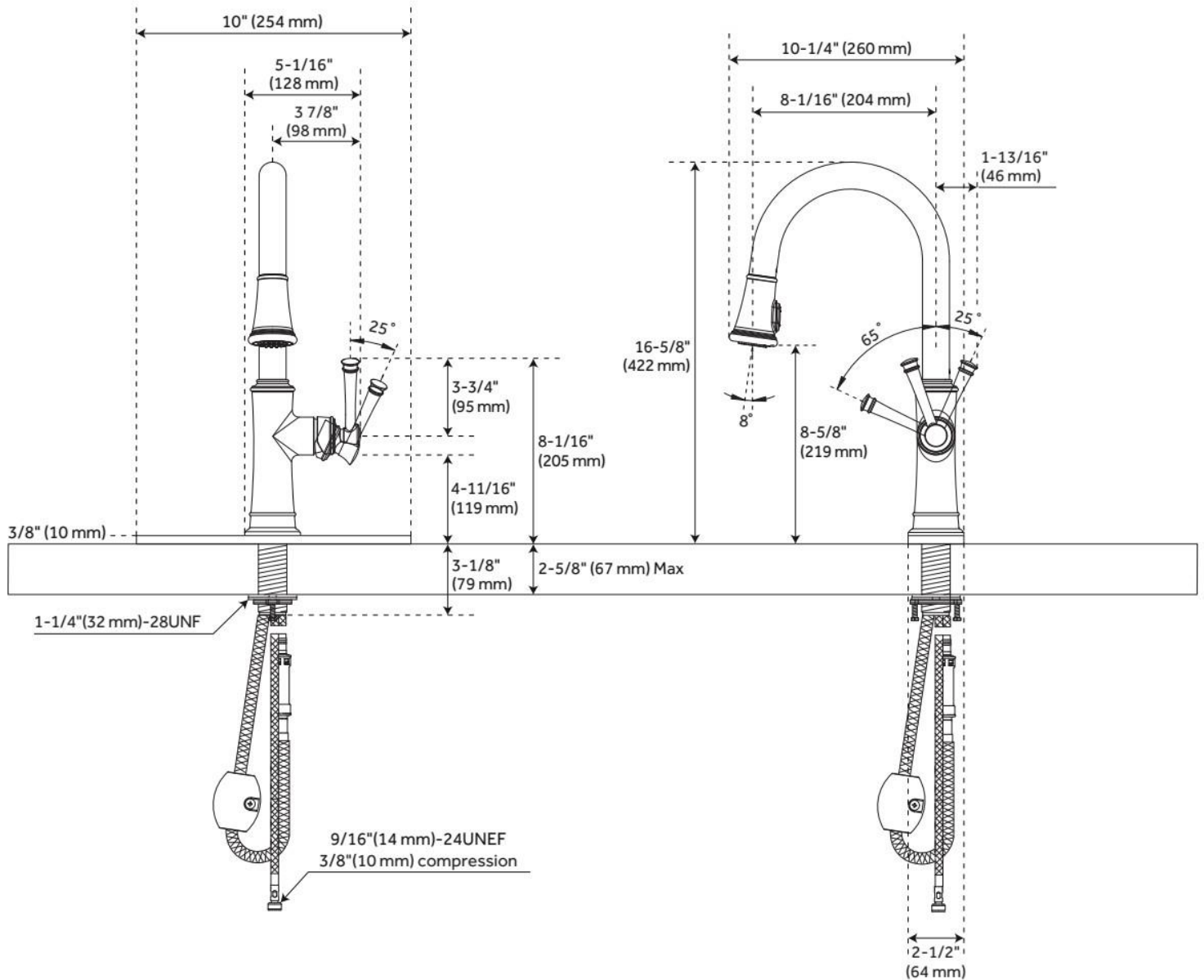
- Aerated stream and spray.
- Deck plate can be used to hide the unused mounting holes.

REVISED 5/31/2024

BEASLEY SINGLE-HOLE PULL-DOWN KITCHEN FAUCET WITH DECK PLATE

SKU: 949844

Code: SHXCBE107, OBPF15Y0262700



REVISED 5/31/2024