

# ANSEL BRASS CUP PULL

SKU: 949857

Code: SH453905, SH453904, SH453906, SH453907



## FEATURES

Design: Traditional

Material: Brass

Width: 3-1/8"

Height: 1-1/2"

Depth: 3/4"

Mounting Hardware Included: Yes

Mounting Hardware Concealed: No

Centers: 2-3/4"

Mounts From: Front

REVISED 4/3/2023

# ANSEL BRASS CUP PULL

---

SKU: 949857

Code: SH453905, SH453904, SH453906, SH453907



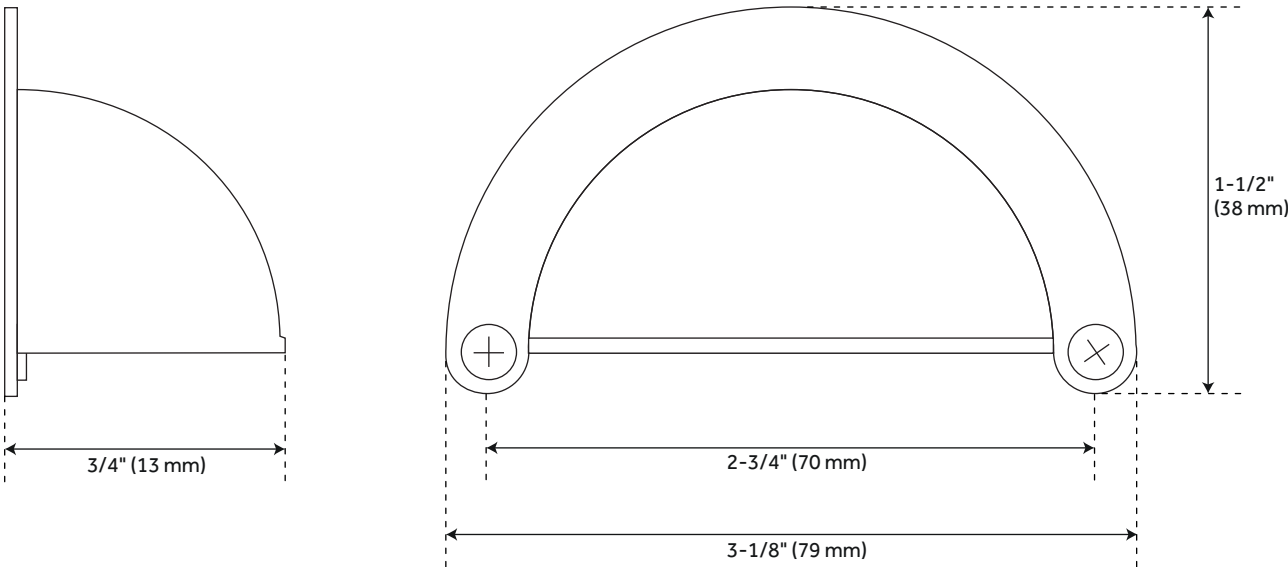
## ADDITIONAL FEATURES

- Sold Individually.

REVISED 4/3/2023

# ANSEL BRASS CUP PULL

SKU: 949857



All dimensions and specifications are nominal and may vary. Use actual products for accuracy in critical situations.