

# PALLAS LIGHTED MEDICINE CABINET WITH TUNABLE LED AND ELECTRICAL OUTLET

SKU: 950613

Code: SH456083, SH456085, SH456084



## FEATURES

Material: Aluminum

Installation Type: Surface Mount

On/Off Switch: No

LISTED ID: SH66253014TS, SH66235014TS



## ADDITIONAL FEATURES

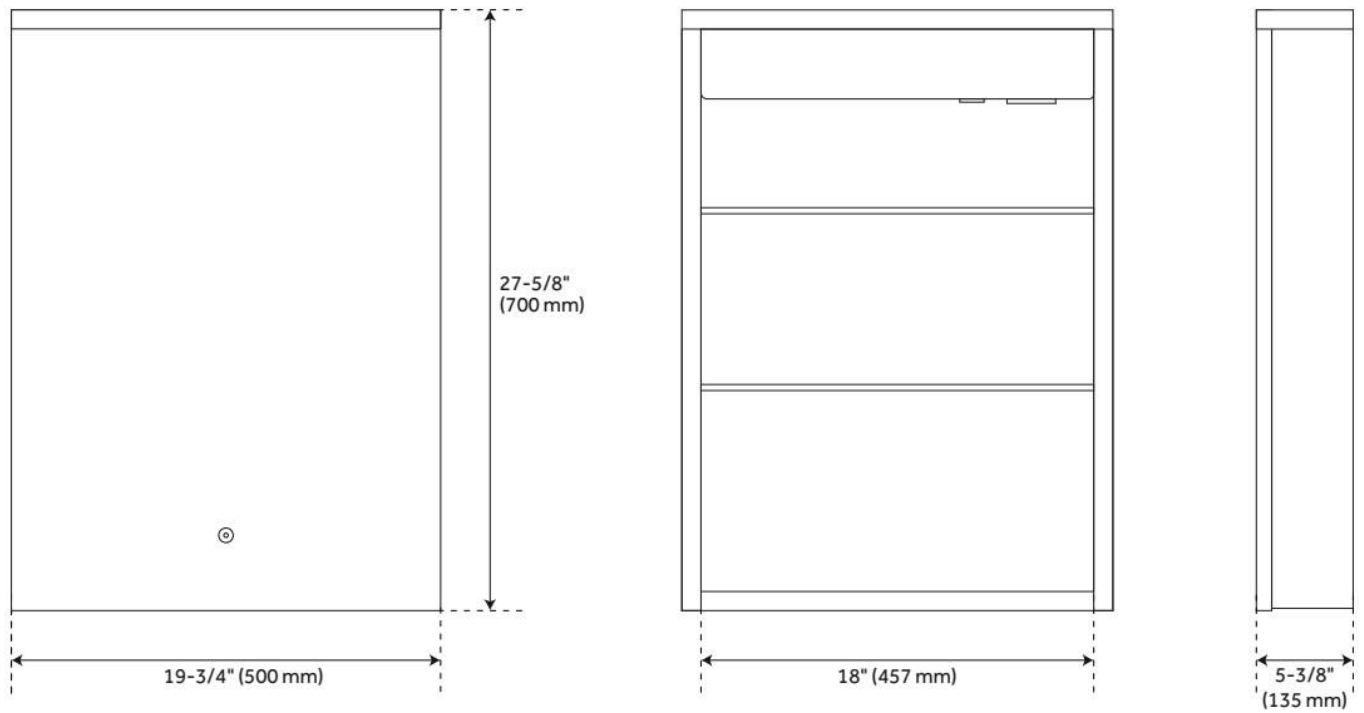
- All dimensions are ( $\pm 1/2$ ").
- Durable French cleat mounting system included.

REVISED 8/23/2024

# PALLAS LIGHTED MEDICINE CABINET WITH TUNABLE LED AND ELECTRICAL OUTLET

SKU: 950613

Code: SH456083, SH456085, SH456084

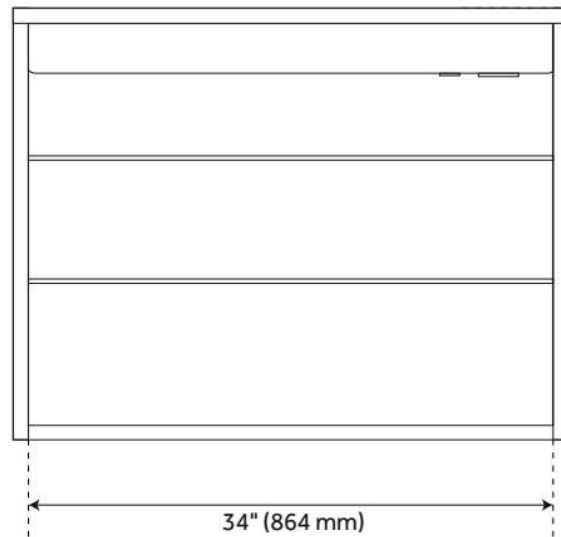
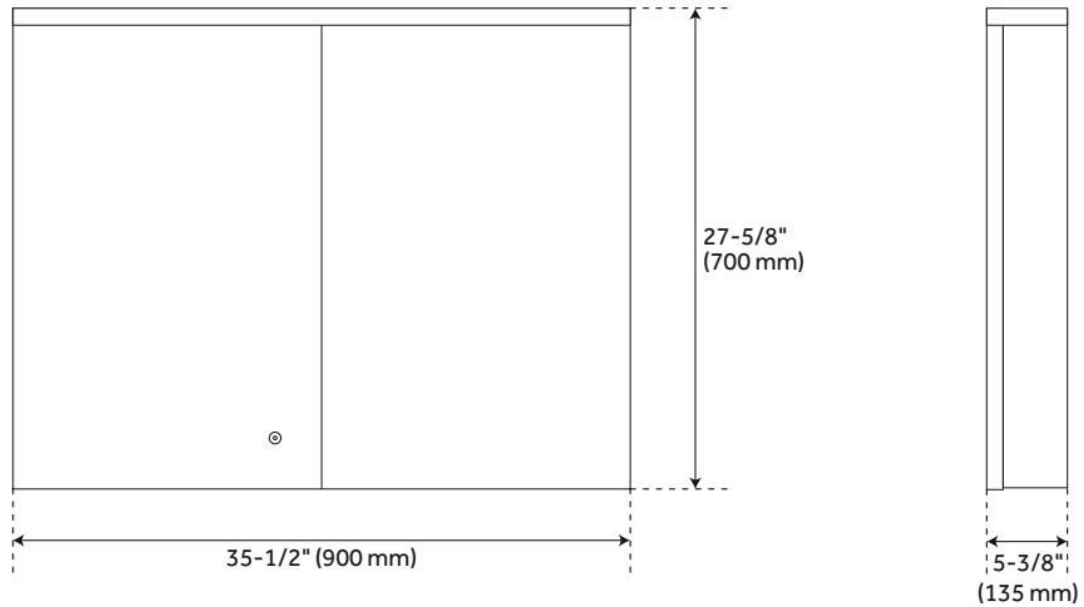


REVISED 8/23/2024

# PALLAS LIGHTED MEDICINE CABINET WITH TUNABLE LED AND ELECTRICAL OUTLET

SKU: 950613

Code: SH456083, SH456085, SH456084

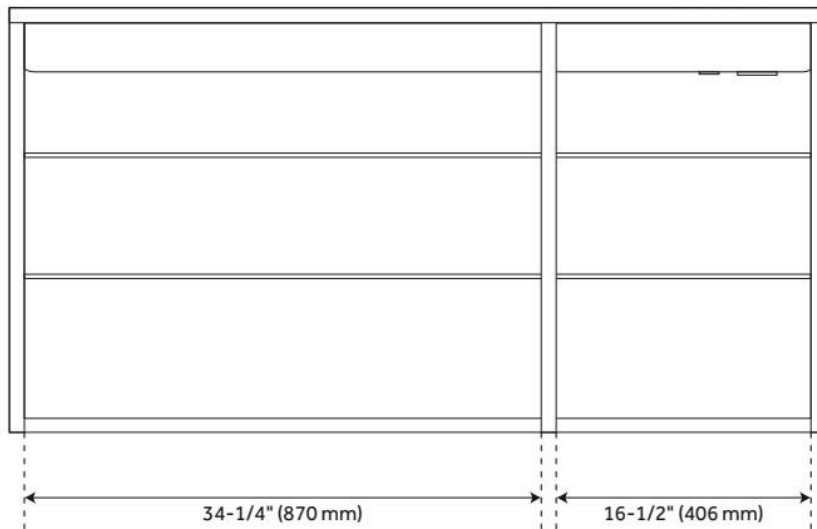
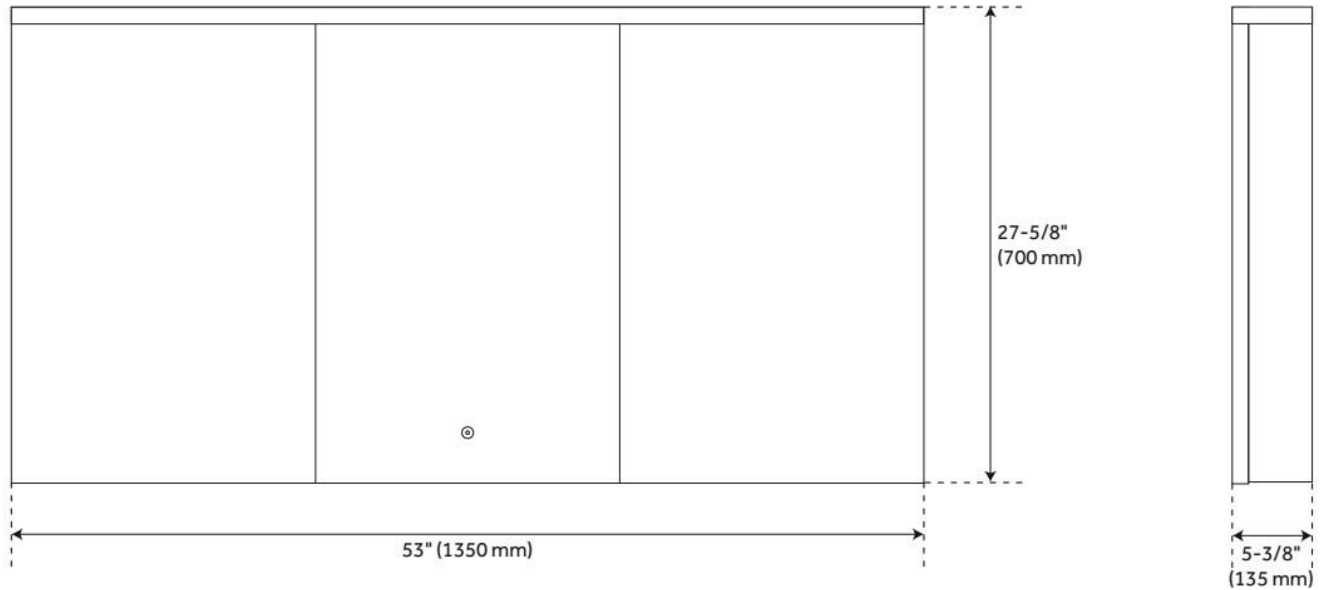


REVISED 8/23/2024

# PALLAS LIGHTED MEDICINE CABINET WITH TUNABLE LED AND ELECTRICAL OUTLET

SKU: 950613

Code: SH456083, SH456085, SH456084



REVISED 8/23/2024