

PALLAS LIGHTED MEDICINE CABINET WITH TUNABLE LED AND ELECTRICAL OUTLET

SKU: 950613

Code: SH456083, SH456084, SH456085



FEATURES

Features: Touch Sensor;Frameless;Lighted;Mirrored

Design: Modern

Product Finish: Aluminum

Material: Aluminum

Height: 27-9/16"

Depth: 5-5/16"

Mounting Hardware Included: Yes

Assembly Required: No

Mirror Shape: Rectangle

Mirror Only Height: 27"

Adjustable Shelves: Yes

REVISED 3/31/2023

PALLAS LIGHTED MEDICINE CABINET WITH TUNABLE LED AND ELECTRICAL OUTLET

SKU: 950613

Code: SH456083, SH456084, SH456085



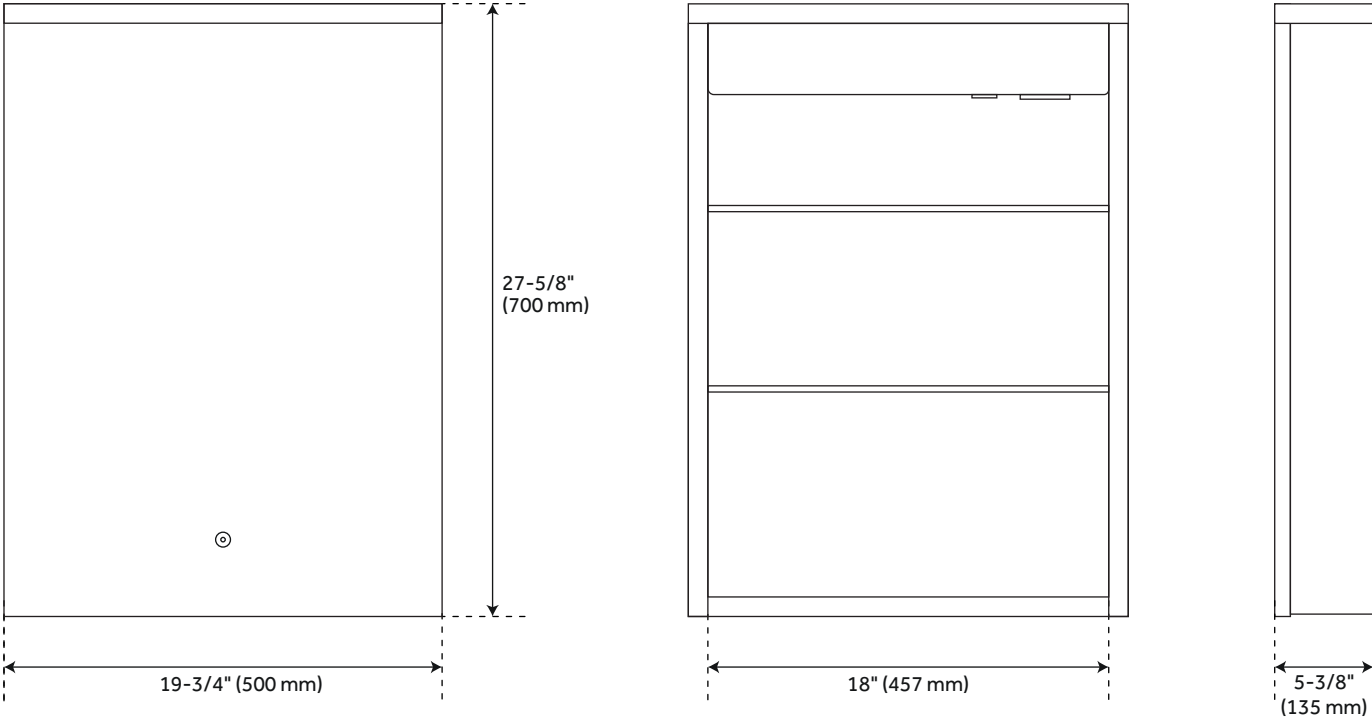
ADDITIONAL FEATURES

- All dimensions are ($\pm 1/2$ ").
- Durable French cleat mounting system included.

REVISED 3/31/2023

20" PALLAS LIGHTED MEDICINE CABINET - TUNABLE LED AND ELECTRICAL OUTLET

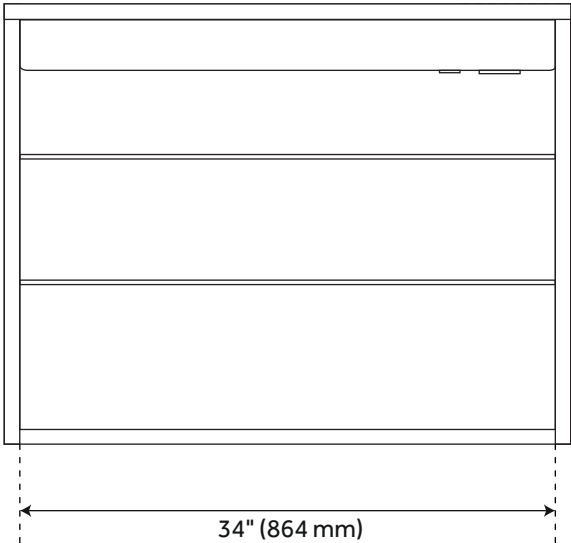
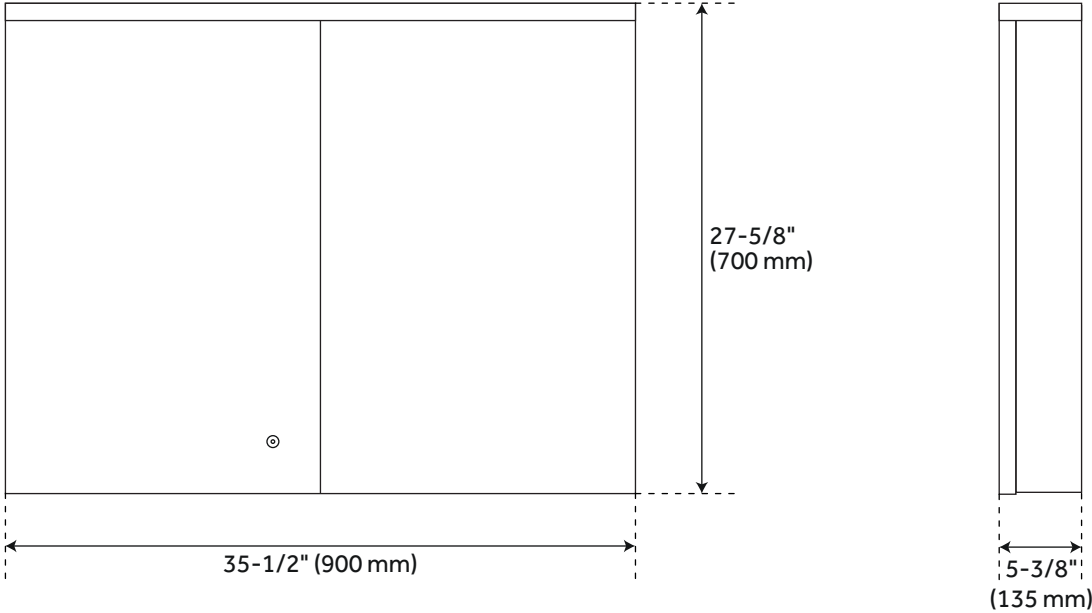
SKU: 950613



All dimensions and specifications are nominal and may vary. Use actual products for accuracy in critical situations.

35" PALLAS LIGHTED MEDICINE CABINET - TUNABLE LED AND ELECTRICAL OUTLET

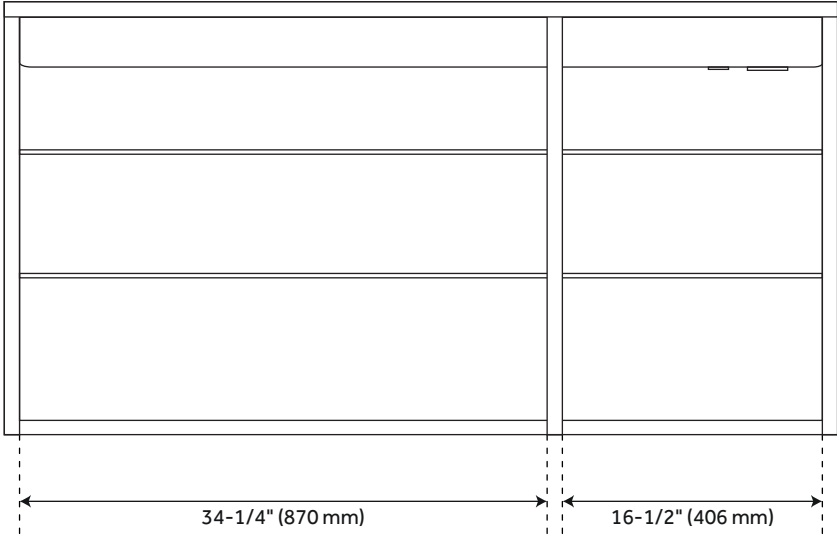
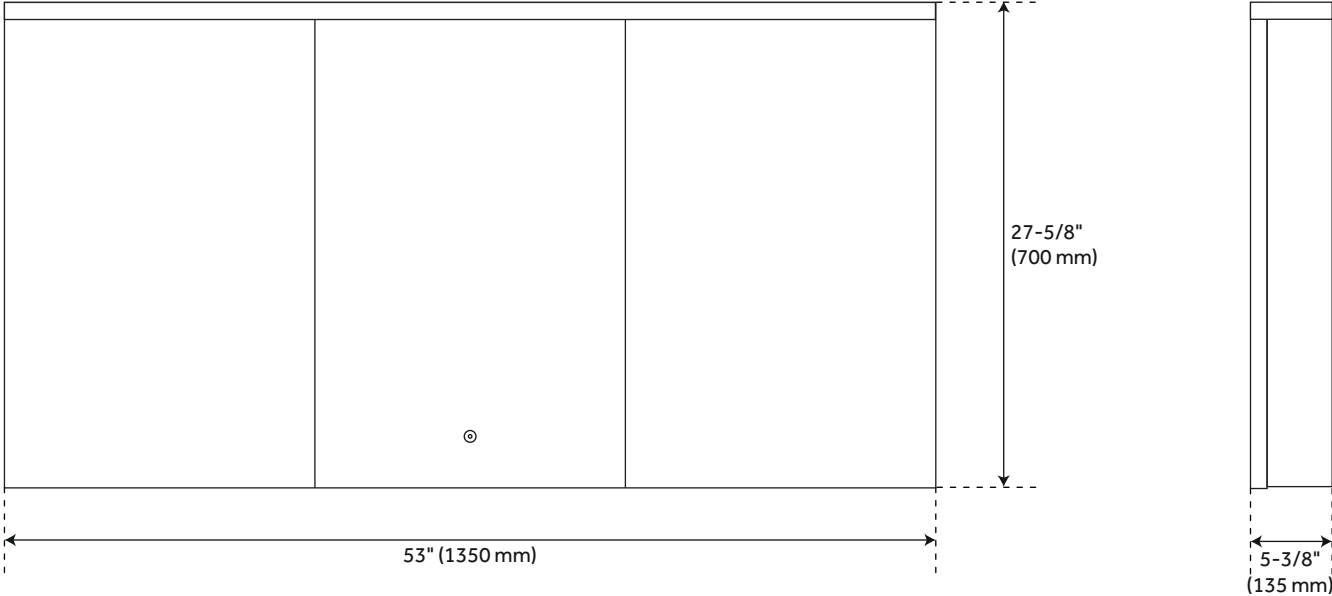
SKU: 950613



All dimensions and specifications are nominal and may vary. Use actual products for accuracy in critical situations.

53" PALLAS LIGHTED MEDICINE CABINET - TUNABLE LED AND ELECTRICAL OUTLET

SKU: 950613



All dimensions and specifications are nominal and may vary. Use actual products for accuracy in critical situations.