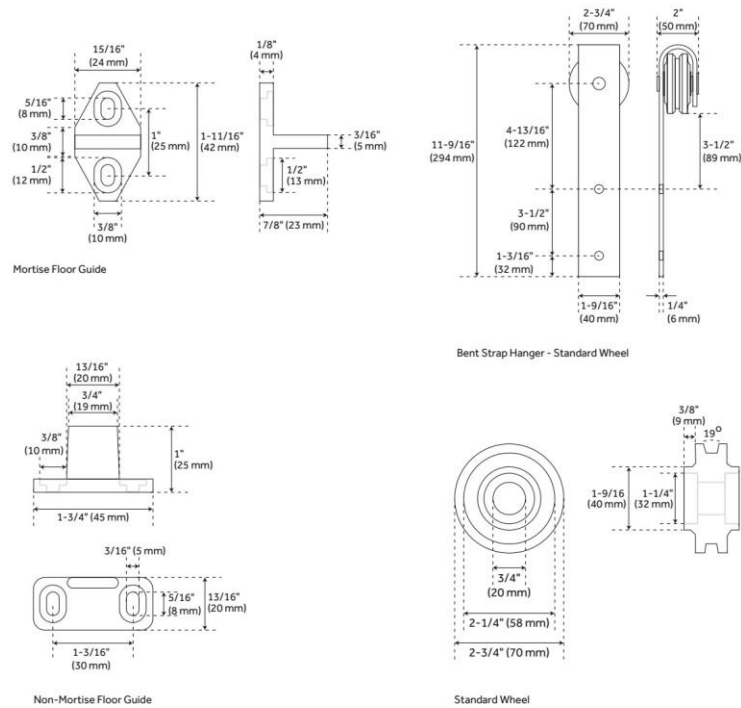


HAL BARN DOOR - SECOND DOOR KIT - BENT STRAP

SKU: 950666-S
Code: HBD5000DR2



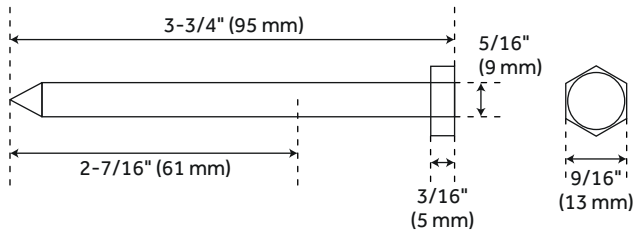
FEATURES

Material: Steel

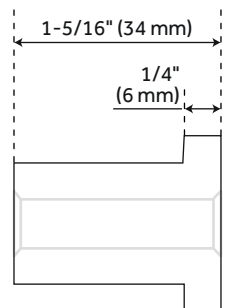
ADDITIONAL FEATURES

- Brushed nickel, oil rubbed bronze, and black finishes are made of steel.
- Used to add a second door to a single rail.
- Rail and door not included.
- Wheel: 2-3/4" diameter.
- Steel 1-1/4" diameter roller bearings.
- Strap Size: 1/4" Steel, 11-1/2" x 1-1/2".

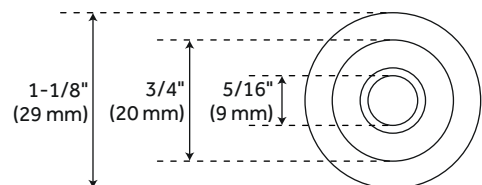
REVISED 9/30/2024



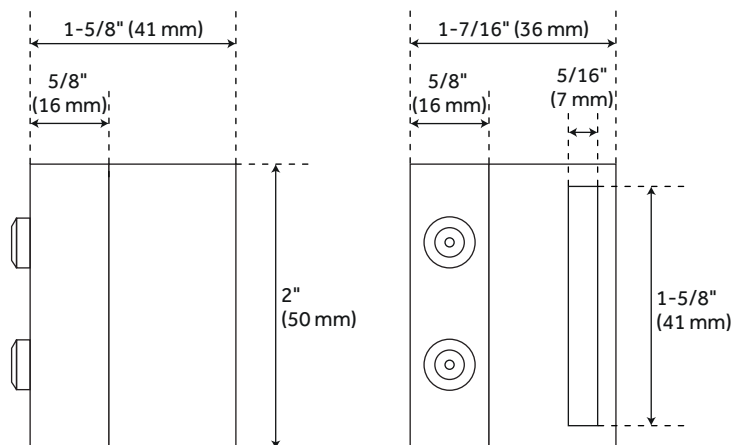
Track Lag Bolt



Flat Rail Spacer



Anti Jump Disk



Flat Rail Stop Standard

