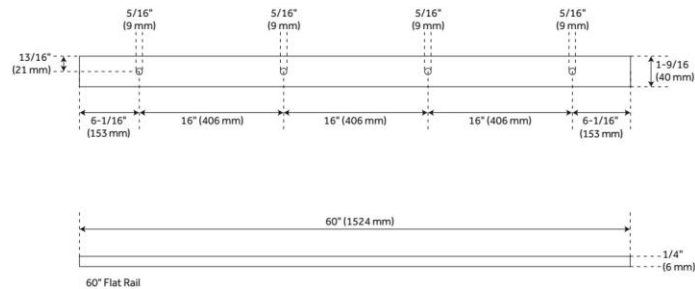


# 60" HAL BARN DOOR HARDWARE KIT

SKU: 950667

Code: HBD5000X60, HBD5911



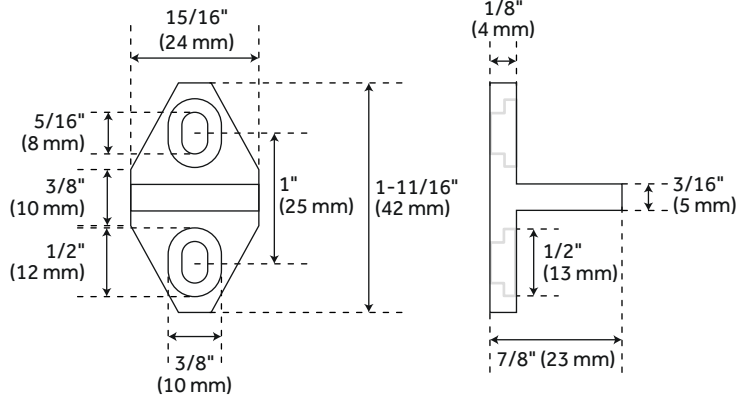
## FEATURES

Material: Steel

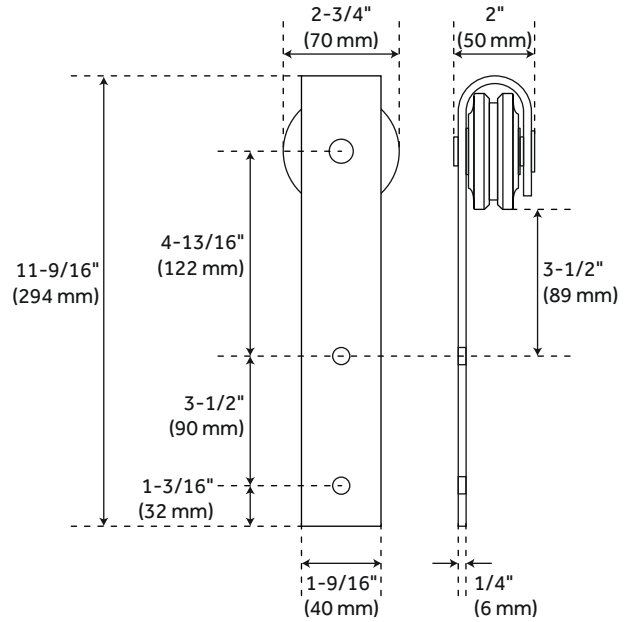
## ADDITIONAL FEATURES

- Brushed nickel, oil rubbed bronze, black, and champagne brass finishes are made of steel.
- Stainless steel finish is made of stainless steel.
- For doors up to 30" wide.
- Wheel: 2-3/4" diameter.
- Steel 1-1/4" diameter roller bearings.
- Track Size: 1/4" steel, 1-1/2" x 60".
- Strap Size: 1/4" Steel, 11-1/2" x 1-1/2".
- Optional Soft Close Adapter:
  - Door weight needs to be 66-132 lbs and not exceeding 176 lbs for the soft-close function to work properly.
  - For use with flat rails.

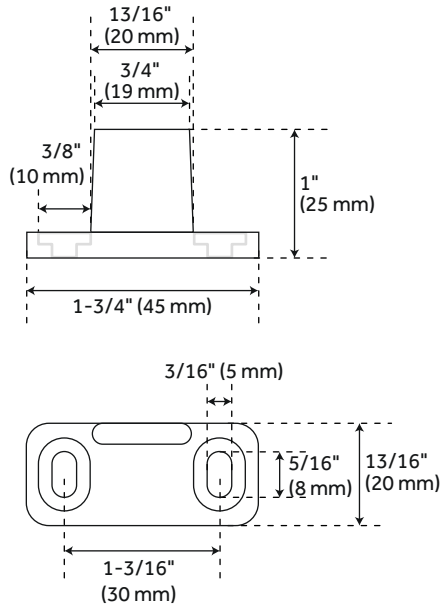
REVISED 9/30/2024



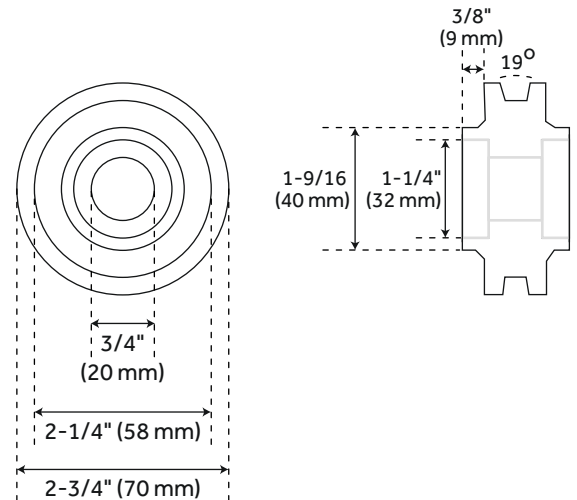
Mortise Floor Guide



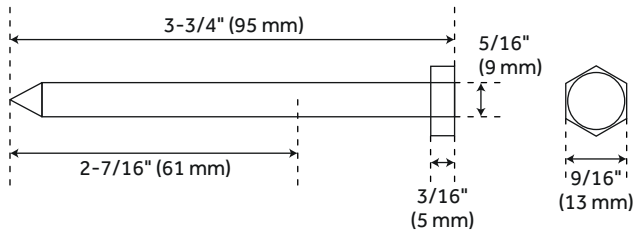
Bent Strap Hanger - Standard Wheel



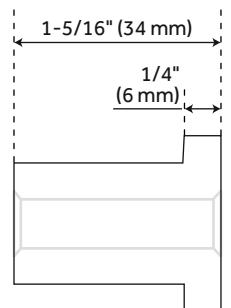
Non-Mortise Floor Guide



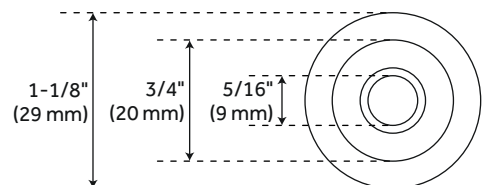
Standard Wheel



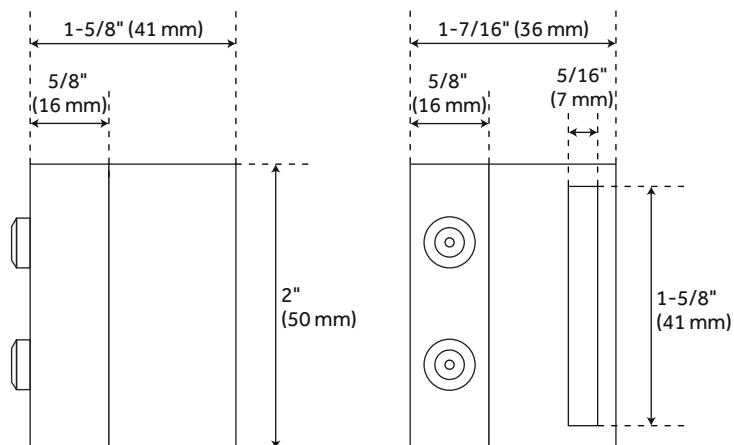
Track Lag Bolt



Flat Rail Spacer



Anti Jump Disk



Flat Rail Stop Standard

