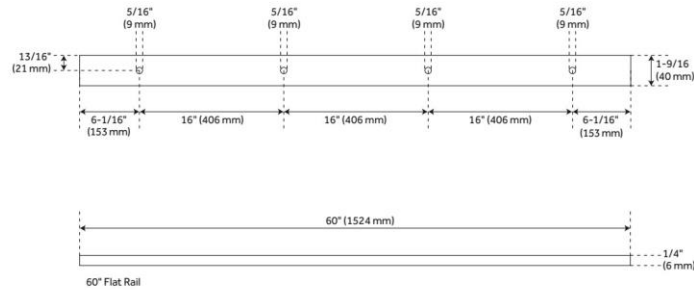


# 60" ANDO BARN DOOR HARDWARE KIT

SKU: 950671

Code: HBD5001X60, HBD5911



## FEATURES

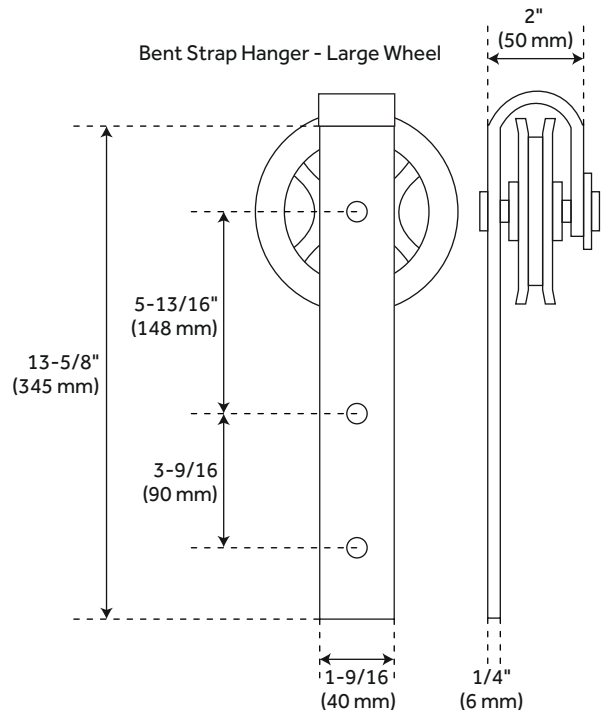
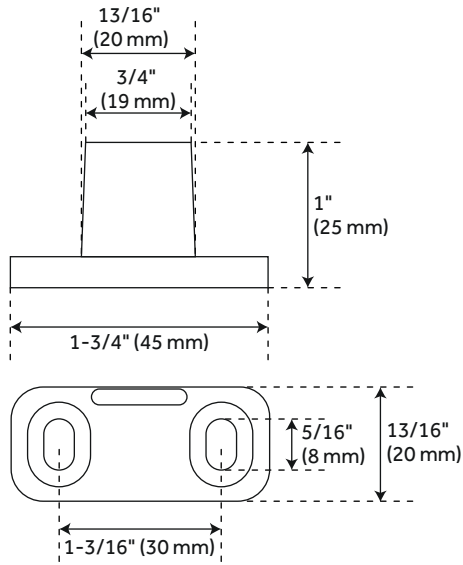
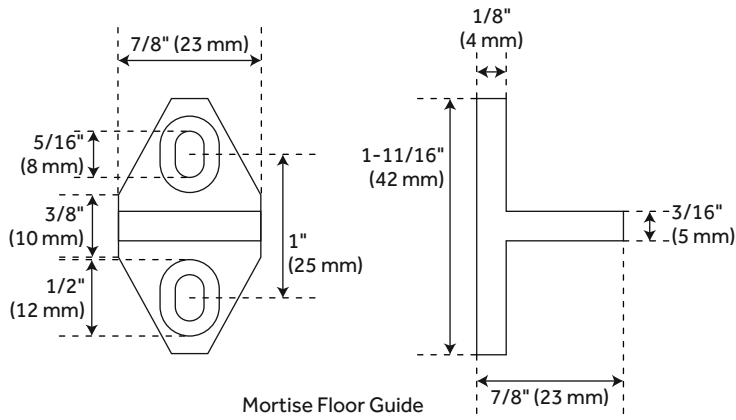
## ADDITIONAL FEATURES

- Black and oil rubbed bronze barn door hardware kits are made of steel.
- Stainless steel barn door hardware kit is made of stainless steel.
- For doors up to 30" wide.
- Wheel: 4-3/4" diameter.
- Steel 1-1/4" diameter roller bearings.
- Track Size: 1/4" Steel, 1-1/2" x 60".
- Strap Size: 1/4" Steel, 13-1/2" x 1-1/2".
- Optional Soft Close Adapter:
  - Door weight needs to be 66-132 lbs and not exceeding 176 lbs for the soft-close function to work properly.

REVISED 7/10/2024

# 60" ANDO BARN DOOR HARDWARE KIT

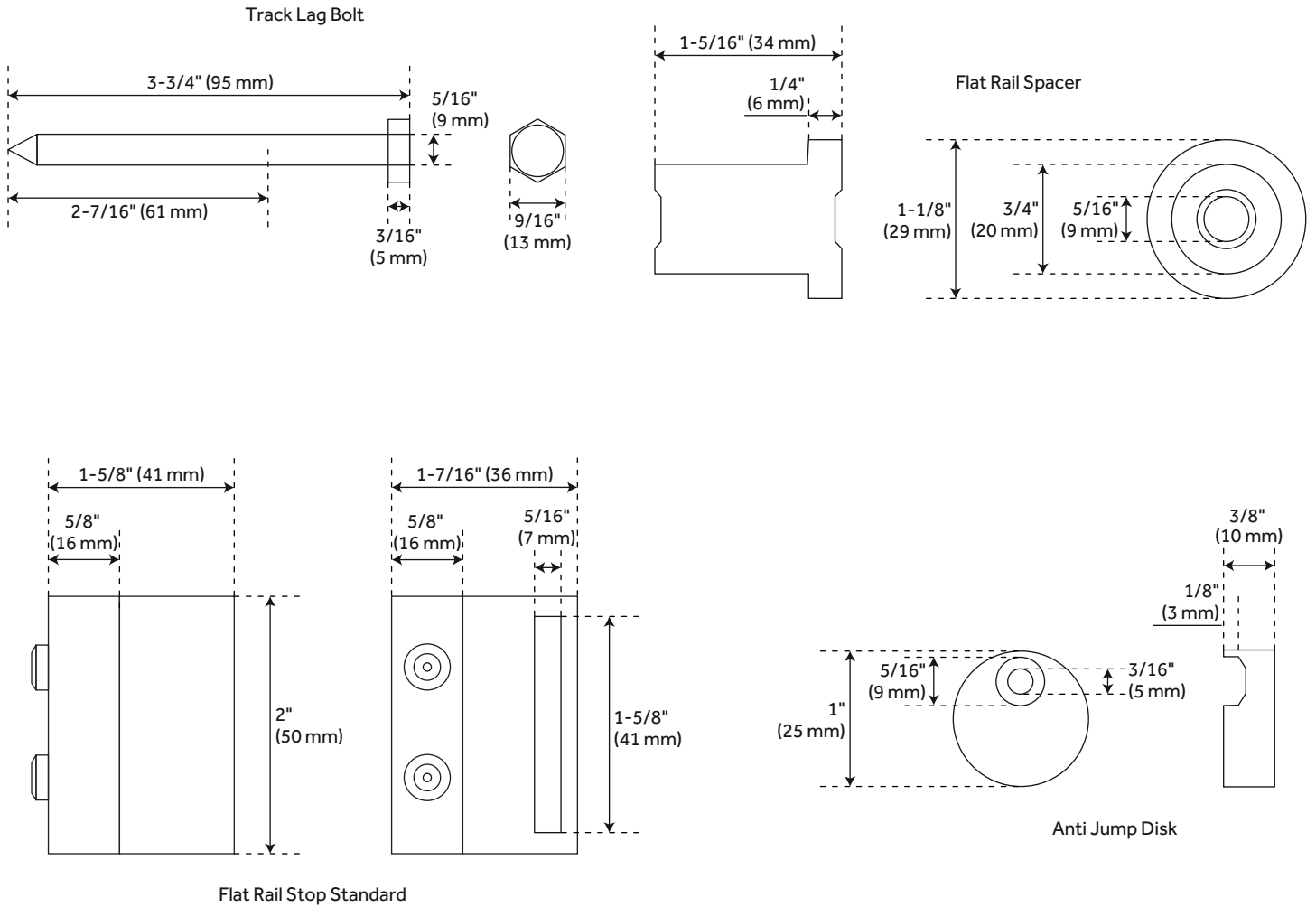
SKU: 950671



All dimensions and specifications are nominal and may vary. Use actual products for accuracy in critical situations.

# 60" ANDO BARN DOOR HARDWARE KIT

SKU: 950671



All dimensions and specifications are nominal and may vary. Use actual products for accuracy in critical situations.