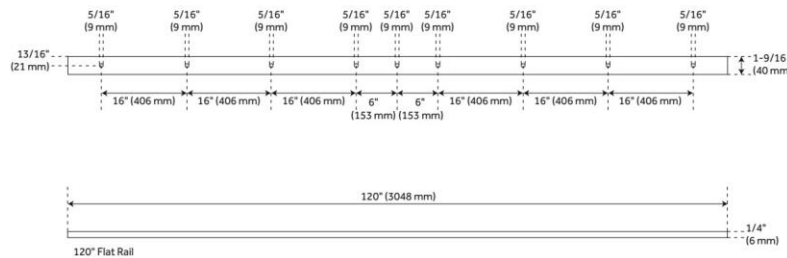


120" DUNKIRK BARN DOOR HARDWARE KIT

SKU: 950674

Code: HBD5020X120, HBD5911



FEATURES

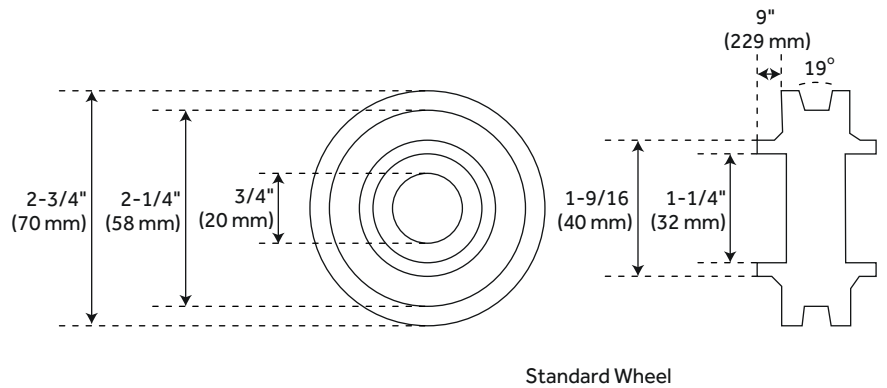
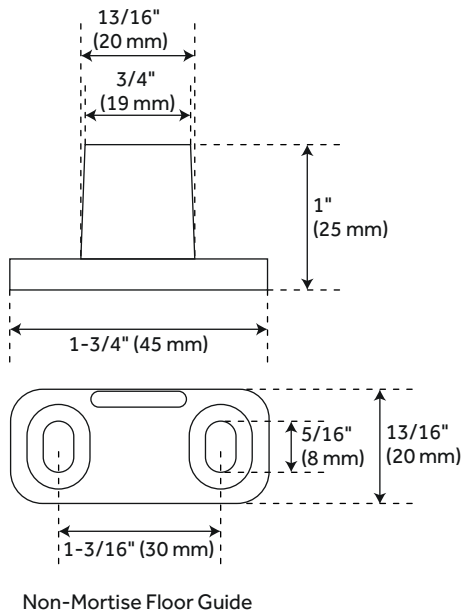
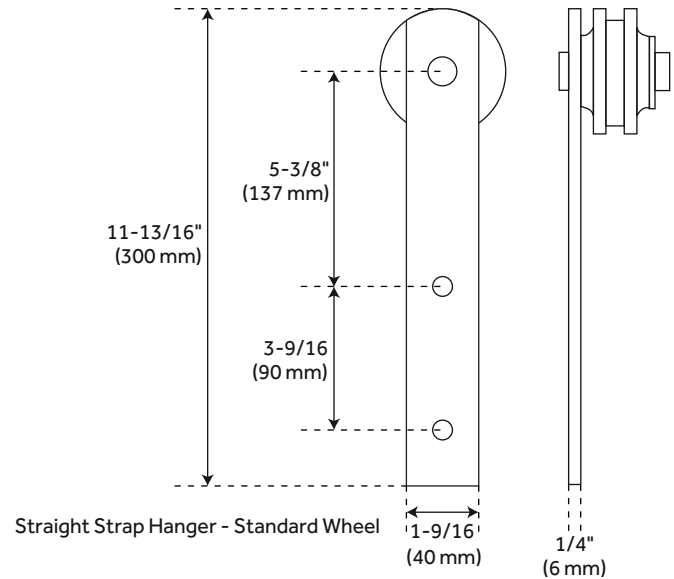
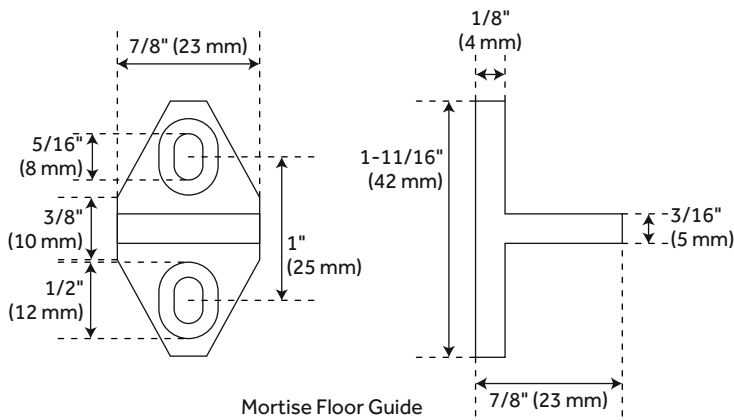
ADDITIONAL FEATURES

- Brushed nickel and black barn door hardware kits are made of steel.
- Stainless steel barn door hardware kit is made of stainless steel.
- For doors up to 60" wide.
- Wheel: 2-3/4" diameter.
- Steel 1-1/4" diameter roller bearings.
- Track Size: 1/4" Steel, 1-1/2" x 60" (2).
- Strap Size: 1/4" Steel, 11-3/4" X 1-1/2".
- Optional Soft Close Adapter:
 - Door weight needs to be 66-132 lbs and not exceeding 176 lbs for the soft-close function to work properly.

REVISED 7/10/2024

120" DUNKIRK BARN DOOR HARDWARE KIT

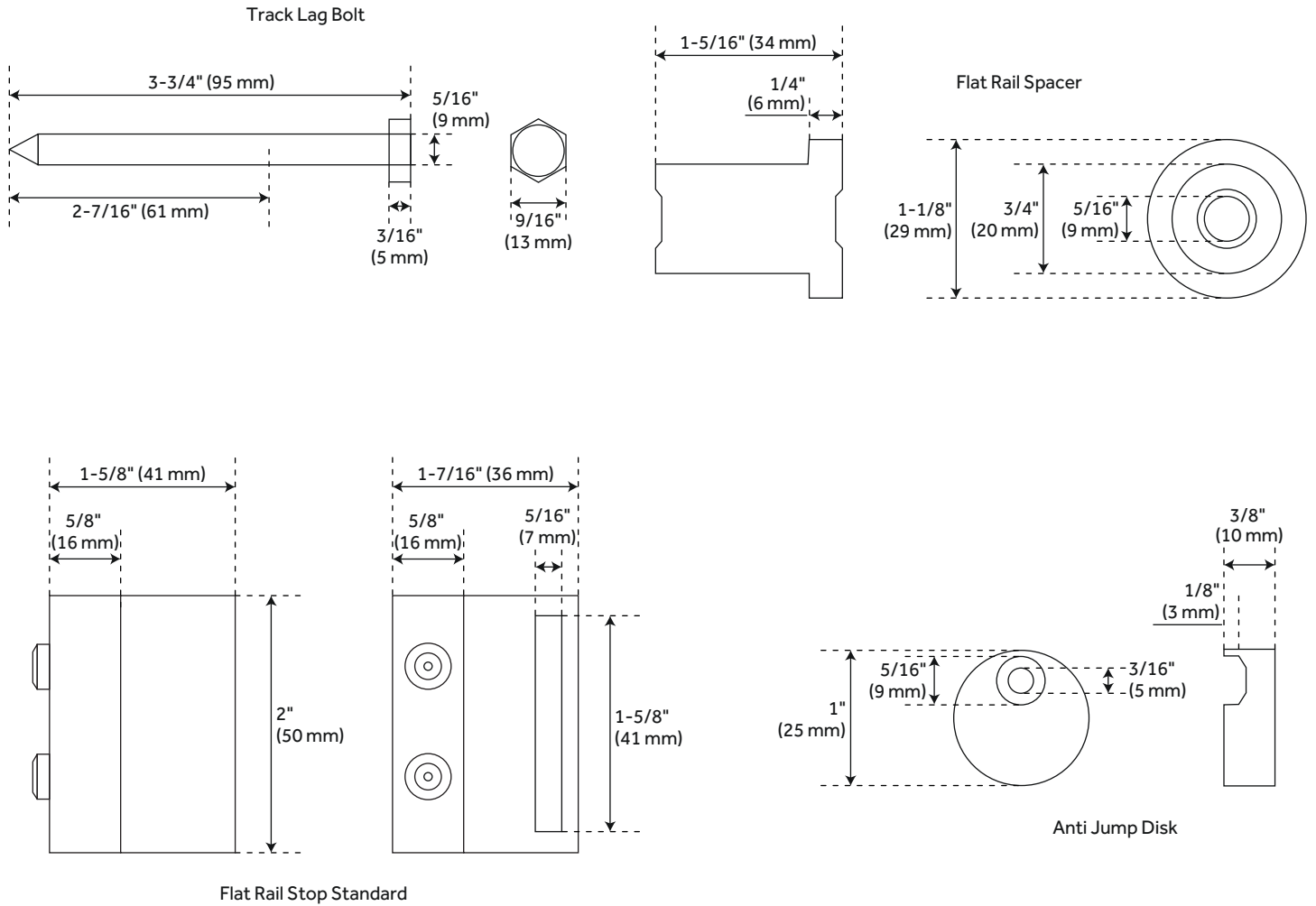
SKU: 950674



All dimensions and specifications are nominal and may vary. Use actual products for accuracy in critical situations.

120" DUNKIRK BARN DOOR HARDWARE KIT

SKU: 950674



All dimensions and specifications are nominal and may vary. Use actual products for accuracy in critical situations.