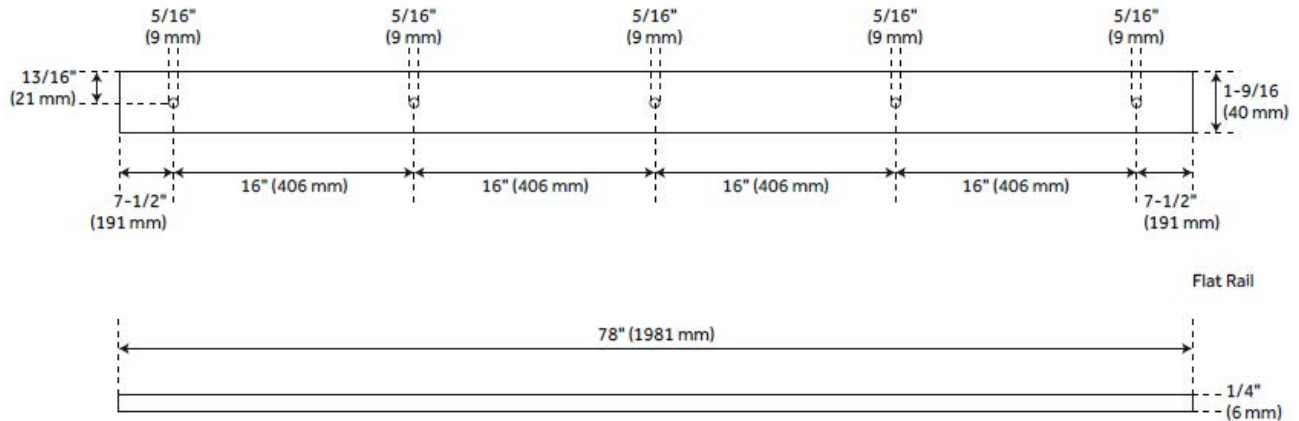


78" DUNKIRK BARN DOOR HARDWARE KIT

SKU: 950675

Code: HBD5020X78, HBD5911



FEATURES

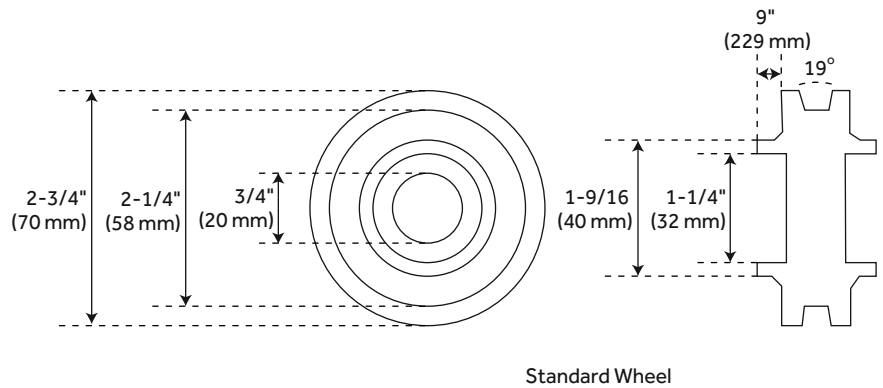
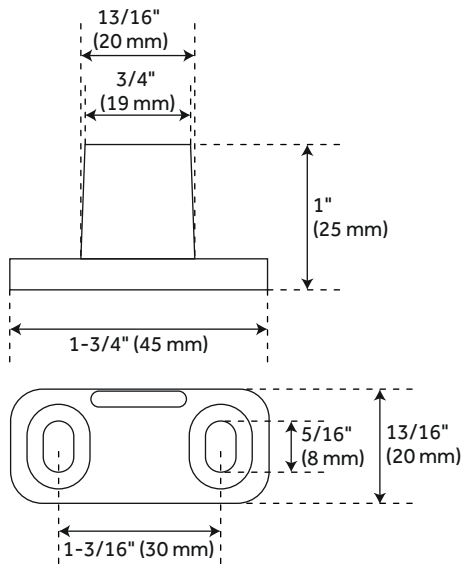
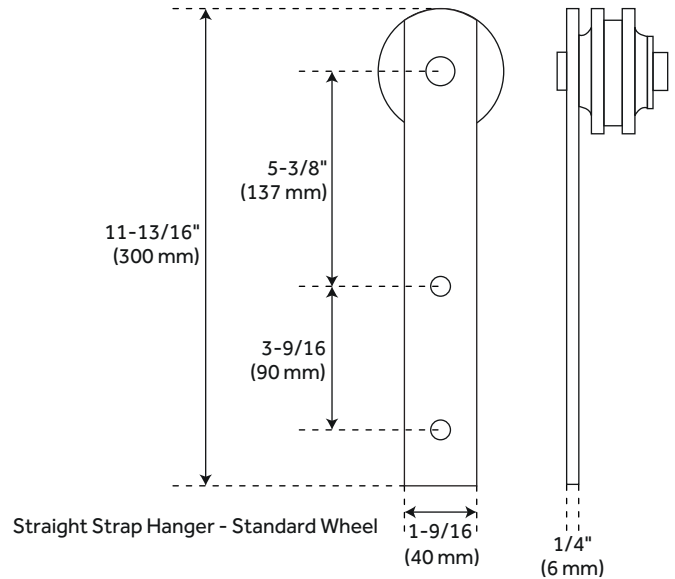
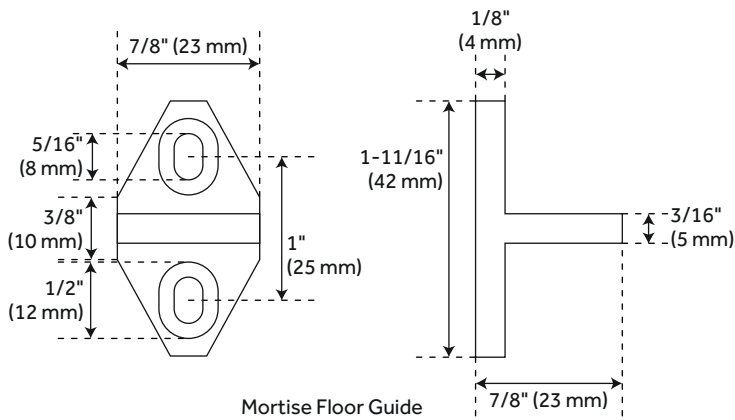
ADDITIONAL FEATURES

- Brushed nickel and black barn door hardware kits are made of steel.
- For doors up to 36" wide.
- Wheel: 2-3/4" diameter.
- Steel 1-1/4" diameter roller bearings.
- Track Size: 1/4" Steel, 1-1/2" x 78-3/4".
- Strap Size: 1/4" Steel, 11-3/4" x 1-1/2".
- Optional Soft Close Adapter:
 - Door weight needs to be 66-132 lbs and not exceeding 176 lbs for the soft-close function to work properly.

REVISED 7/10/2024

78" DUNKIRK BARN DOOR HARDWARE KIT

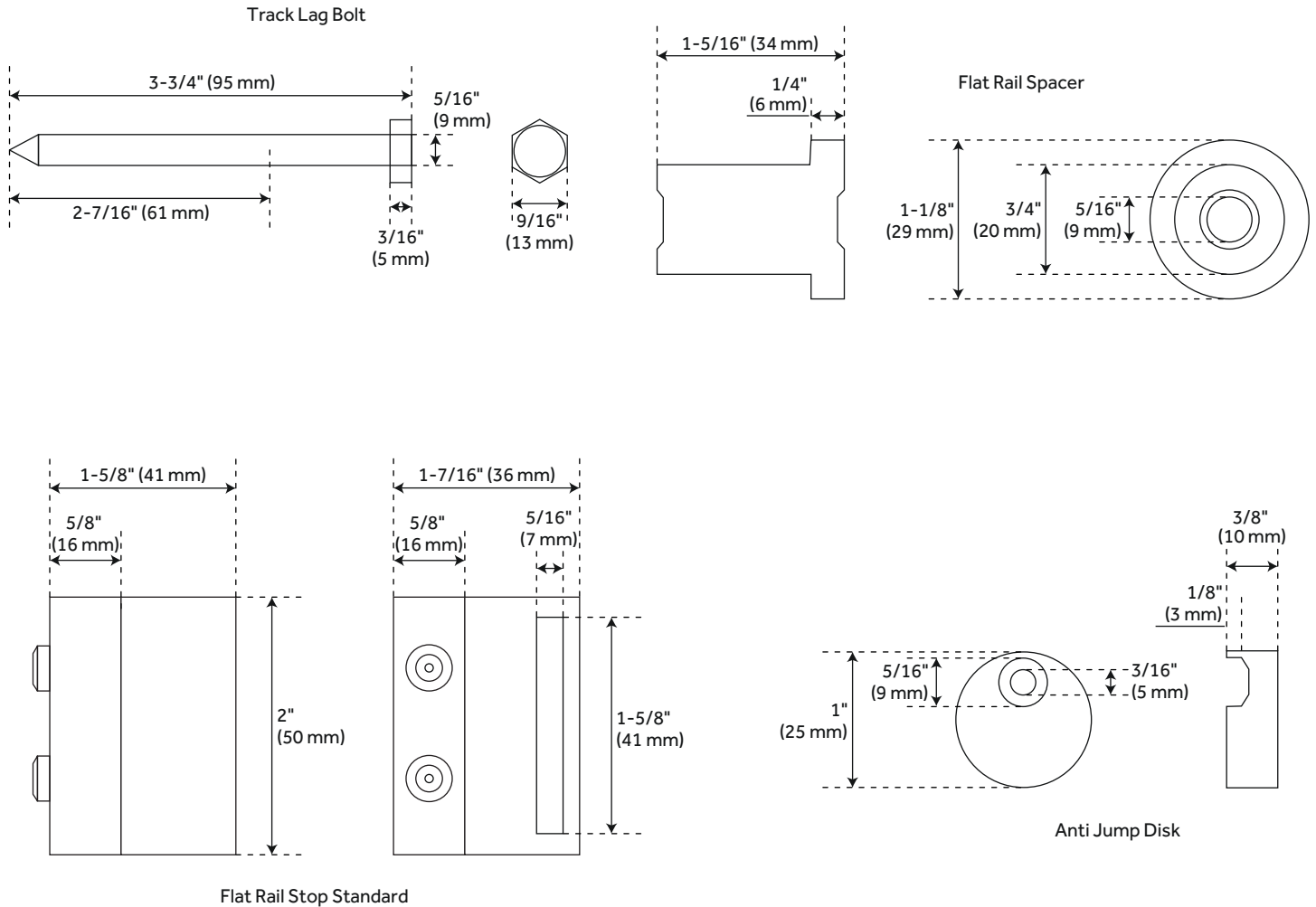
SKU: 950675



All dimensions and specifications are nominal and may vary. Use actual products for accuracy in critical situations.

78" DUNKIRK BARN DOOR HARDWARE KIT

SKU: 950675



All dimensions and specifications are nominal and may vary. Use actual products for accuracy in critical situations.