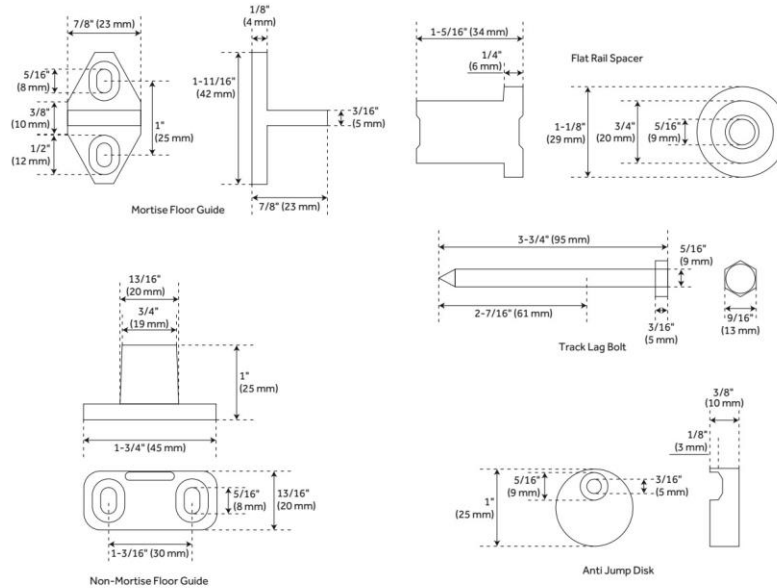


# 120" KARL TOP-MOUNT BARN DOOR HARDWARE KIT

SKU: 950677

Code: HBD5055X120, HBD5911



## FEATURES

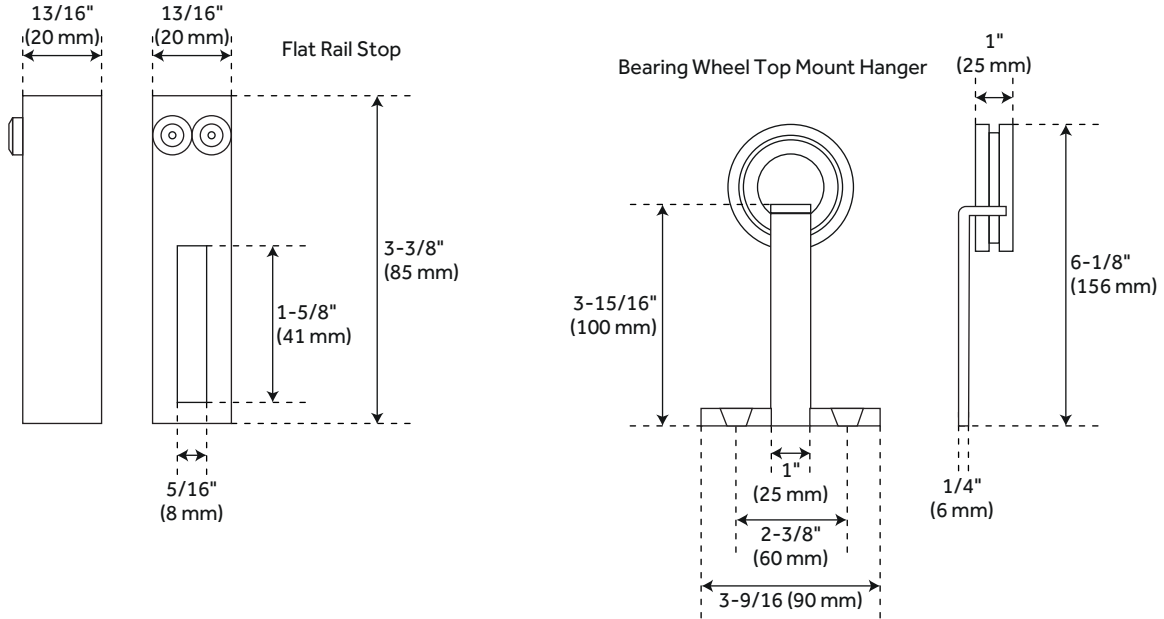
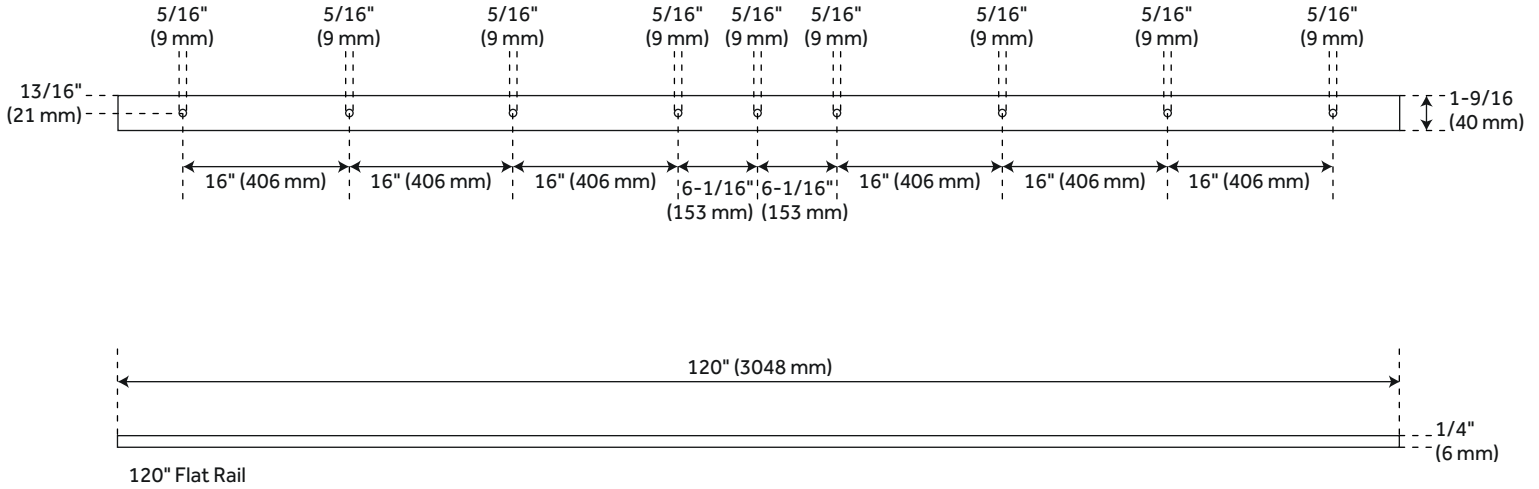
## ADDITIONAL FEATURES

- Black barn door hardware kits are made of steel.
- Stainless steel barn door hardware kit is made of stainless steel.
- For doors up to 60" wide.
- Roller Wheel - 3-1/4" Diameter.
- Steel 2-1/2" diameter roller bearings.
- Track Size: 1/4" Steel, 1-1/2" x 60" (2).
- Strap Size: 1/4" Steel, 6" x 1".
- Optional Soft Close Adapter:
  - Door weight needs to be 66-132 lbs and not exceeding 176 lbs for the soft-close function to work properly.

REVISED 7/10/2024

# 120" KARL TOP-MOUNT BARN DOOR HARDWARE KIT

SKU: 950677



All dimensions and specifications are nominal and may vary. Use actual products for accuracy in critical situations.