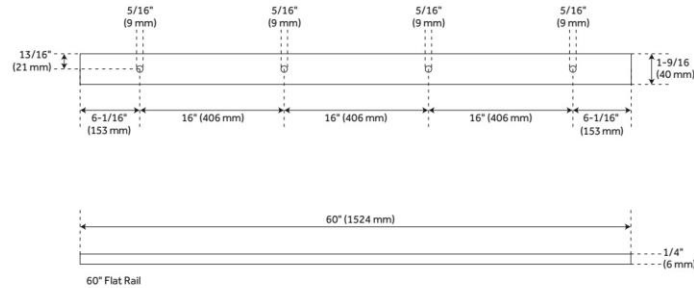


60" DUNKIRK BARN DOOR HARDWARE KIT

SKU: 950815

Code: HBD5020X60, HBD5911



FEATURES

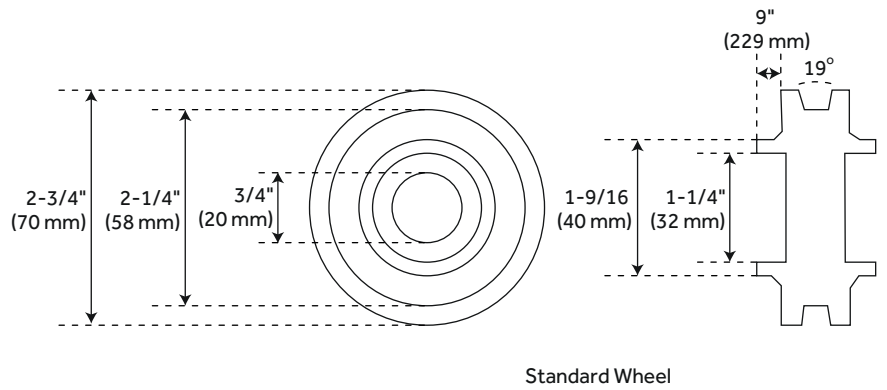
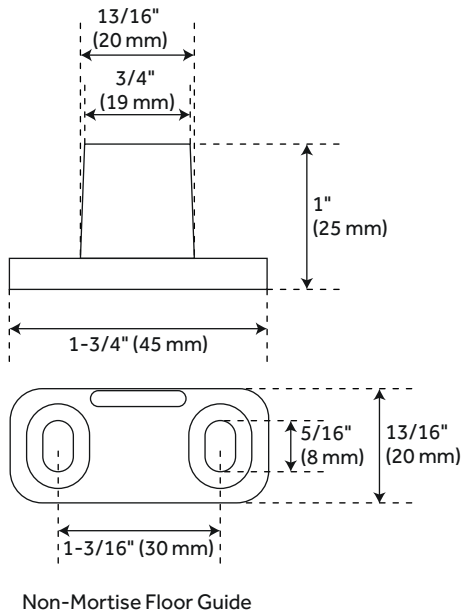
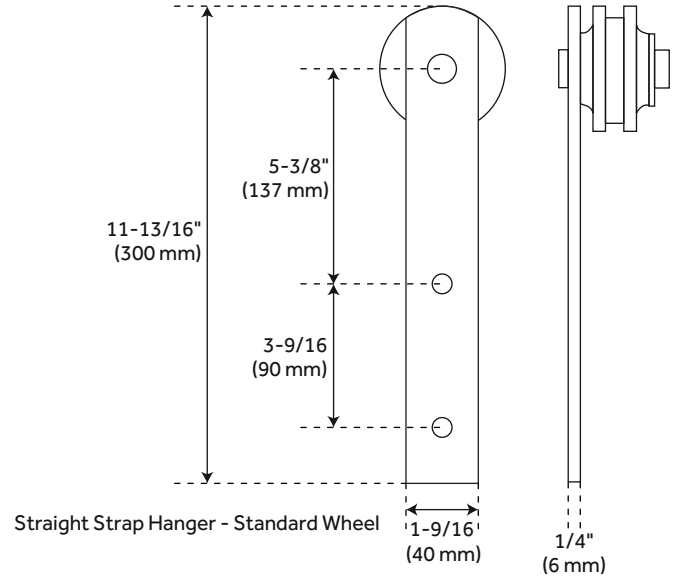
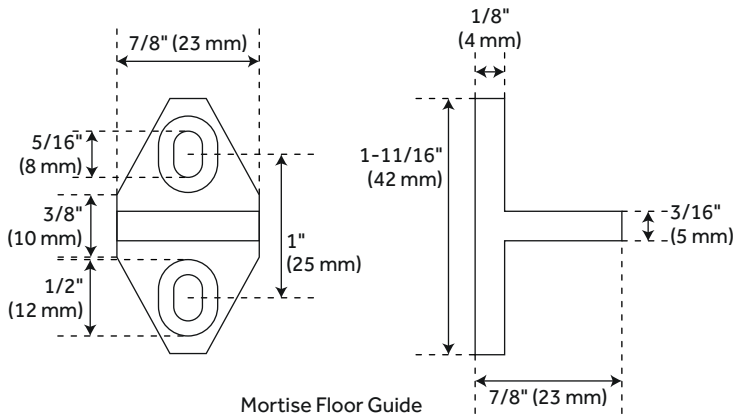
ADDITIONAL FEATURES

- For doors up to 30" wide.
- Wheel: 2-3/4" diameter.
- Steel 1-1/4" diameter roller bearings.
- Track Size: 1/4" Steel, 1-1/2" x 60".
- Strap Size: 1/4" Steel, 11-3/4" x 1-1/2".
- Optional Soft Close Adapter:
 - Door weight needs to be 66-132 lbs and not exceeding 176 lbs for the soft-close function to work properly.
 - For use with flat rails.
 - Steel construction for long lasting durability.

REVISED 7/10/2024

60" DUNKIRK BARN DOOR HARDWARE KIT

SKU: 950815

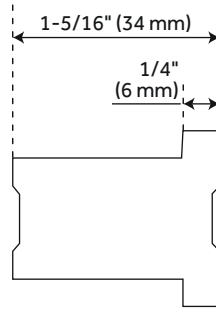
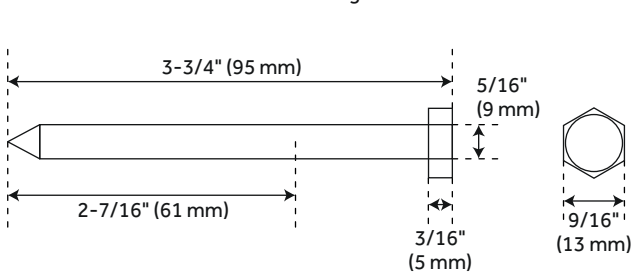


All dimensions and specifications are nominal and may vary. Use actual products for accuracy in critical situations.

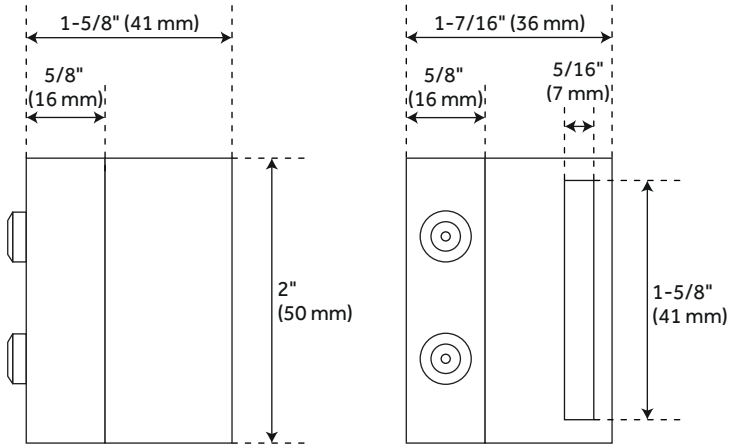
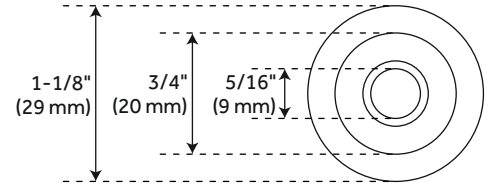
60" DUNKIRK BARN DOOR HARDWARE KIT

SKU: 950815

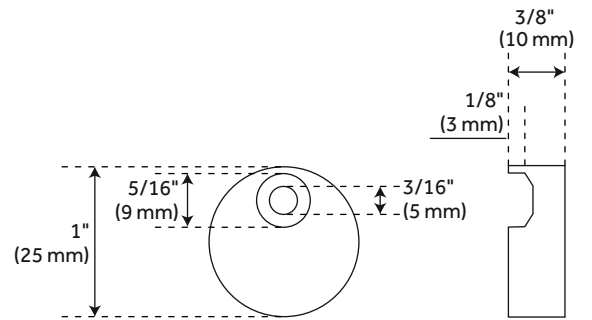
Track Lag Bolt



Flat Rail Spacer



Flat Rail Stop Standard



Anti Jump Disk

All dimensions and specifications are nominal and may vary. Use actual products for accuracy in critical situations.