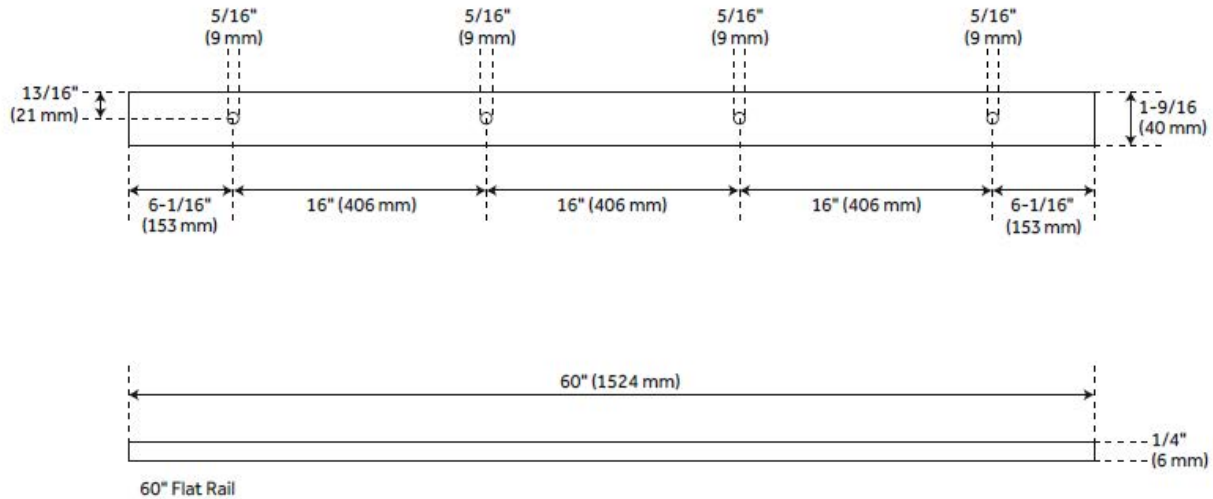


# 60" GUFFEY BARN DOOR HARDWARE KIT - BLACK

SKU: 950823

Code: HBD5044X60, HBD5911



## FEATURES

Material: Steel

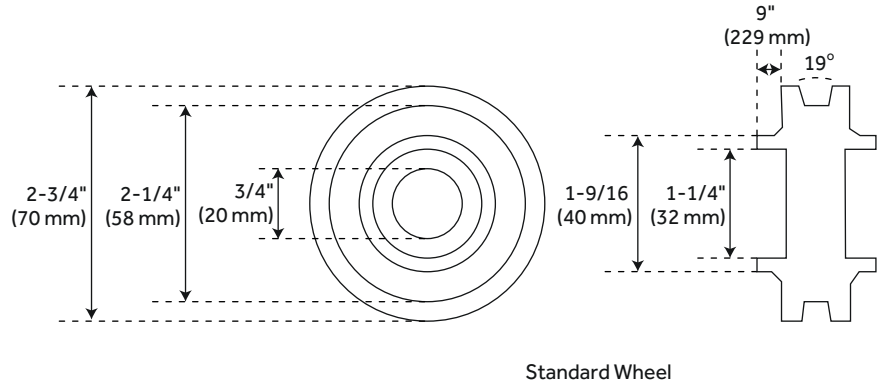
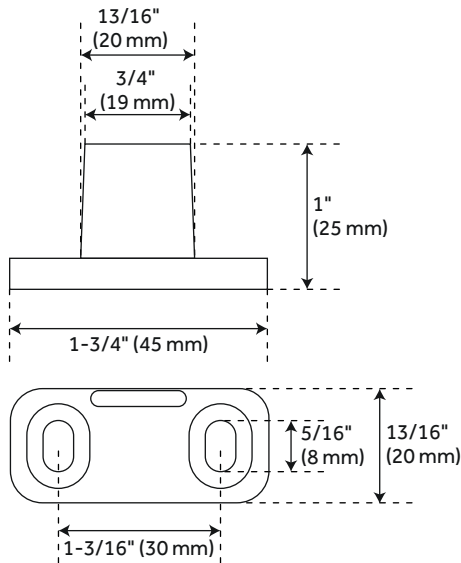
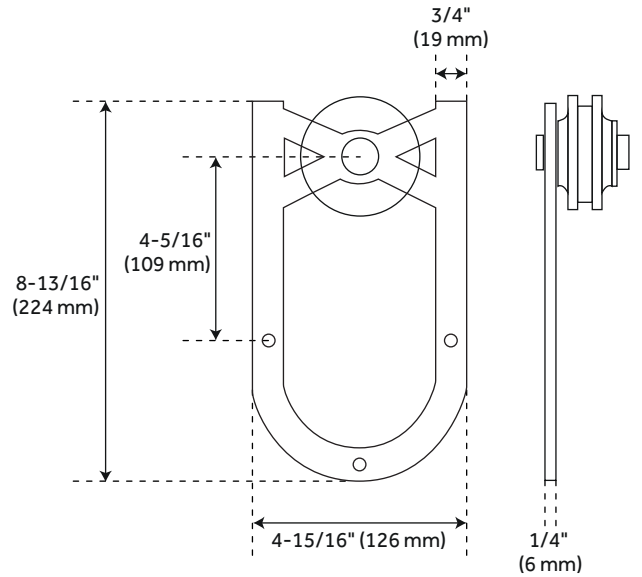
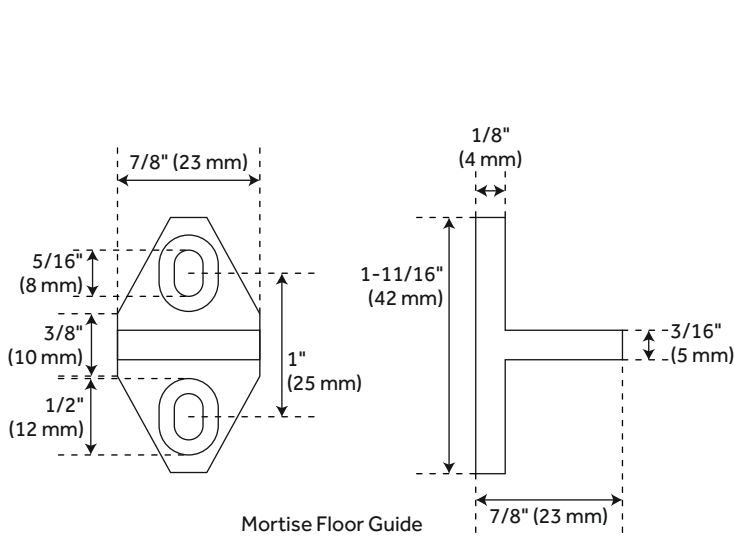
## ADDITIONAL FEATURES

- For doors up to 30" wide.
- Wheel: 2-3/4" diameter.
- Steel 1-1/4" diameter roller bearings.
- Track Size: 1/4" Steel, 1-1/2" x 60" (2).
- Strap Size: 1/4" Steel, 8-3/4" x 3/4".
- Optional Soft Close Adapter:
  - Door weight needs to be 66-132 lbs and not exceeding 176 lbs for the soft-close function to work properly.
  - For use with flat rails.
  - Steel construction for long lasting durability.

REVISED 7/10/2024

# 60" GUFFEY BARN DOOR HARDWARE KIT

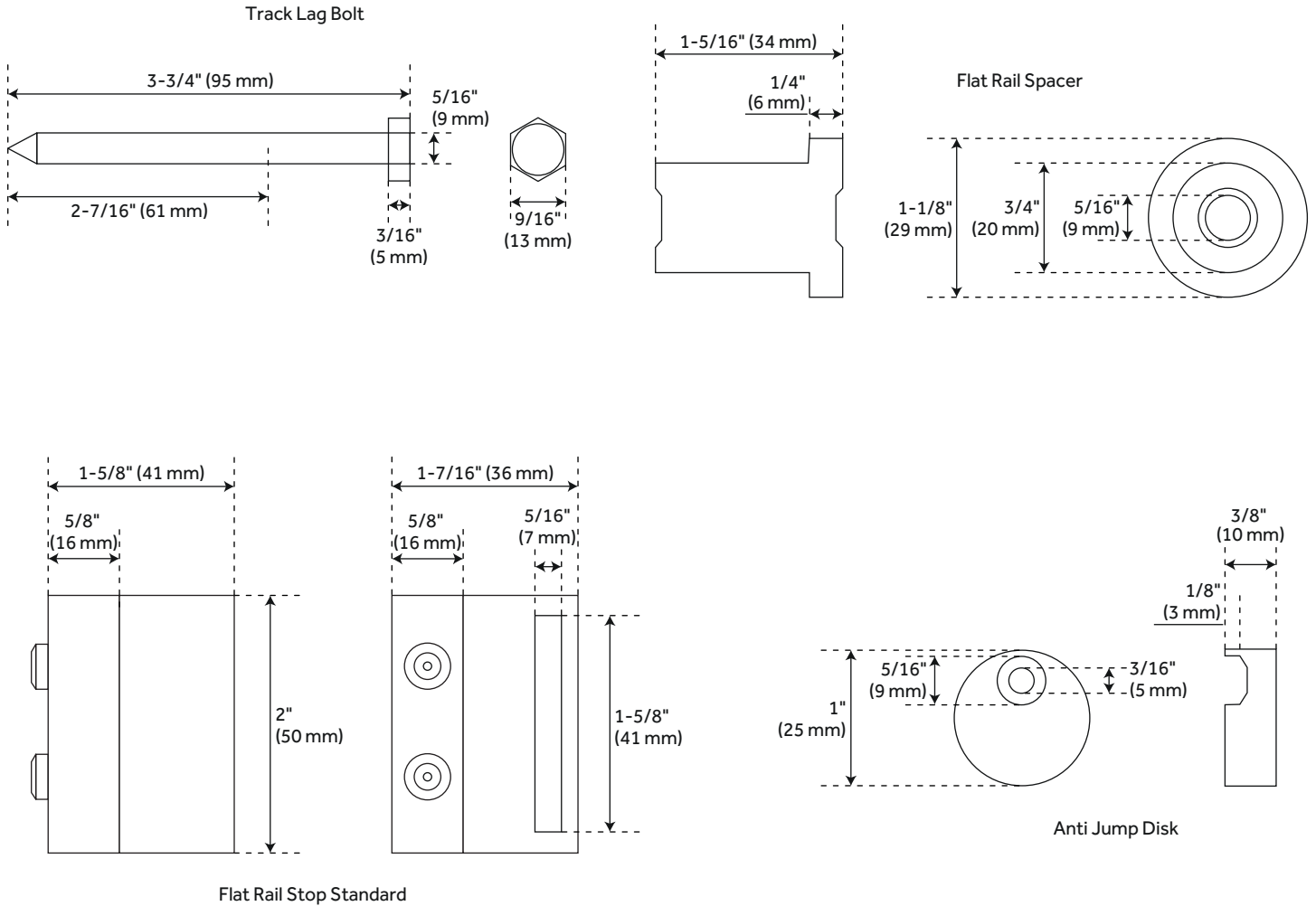
SKU: 950823



All dimensions and specifications are nominal and may vary. Use actual products for accuracy in critical situations.

# 60" GUFFEY BARN DOOR HARDWARE KIT

SKU: 950823



All dimensions and specifications are nominal and may vary. Use actual products for accuracy in critical situations.