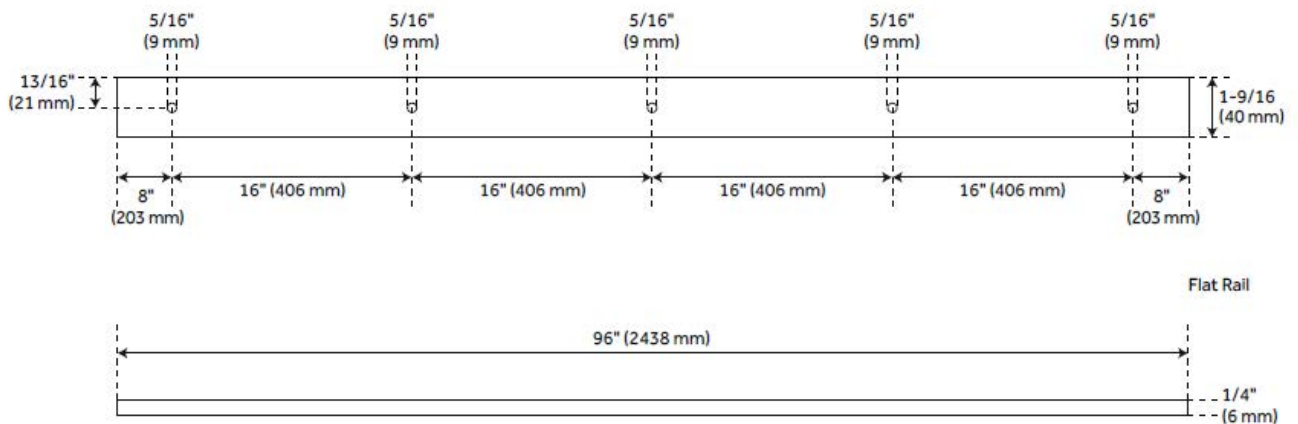


96" GUFFEY BARN DOOR HARDWARE KIT

SKU: 950825

Code: HBD5044X96, HBD5911



FEATURES

Material: Steel

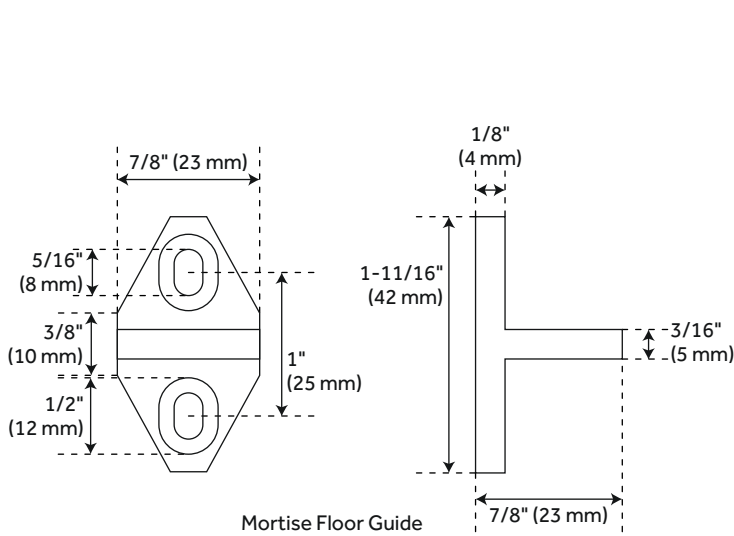
ADDITIONAL FEATURES

- For doors up to 48" wide.
 - Wheel: 2-3/4" diameter.
 - Steel 1-1/4" diameter roller bearings.
 - Track Size: 1/4" Steel, 1-1/2" x 60" (2).
 - Strap Size: 1/4" Steel, 8-3/4" x 3/4".
- Optional Soft Close Adapter:
- Door weight needs to be 66-132 lbs and not exceeding 176 lbs for the soft-close function to work properly.
 - For use with flat rails.
 - Steel construction for long lasting durability.
 - Keeps door from slamming when opening and closing.

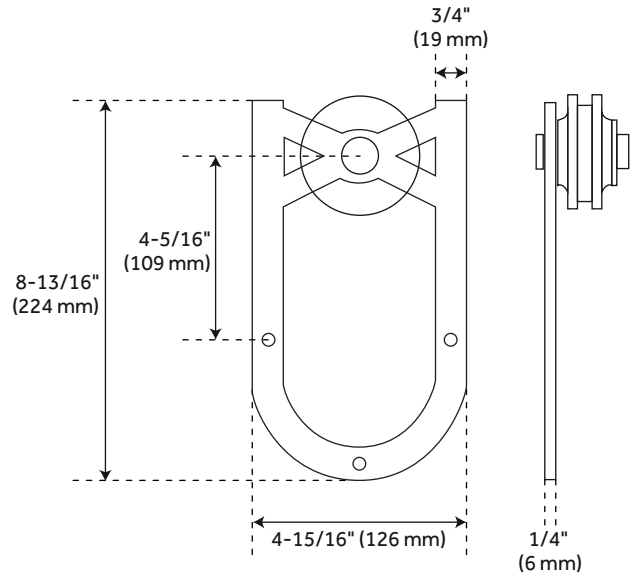
REVISED 7/10/2024

96" GUFFEY BARN DOOR HARDWARE KIT

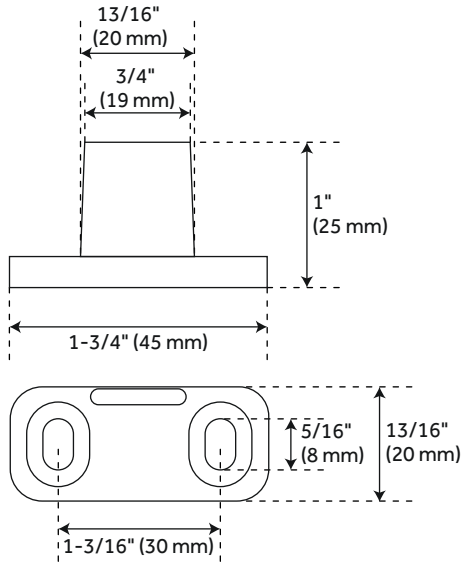
SKU: 950825



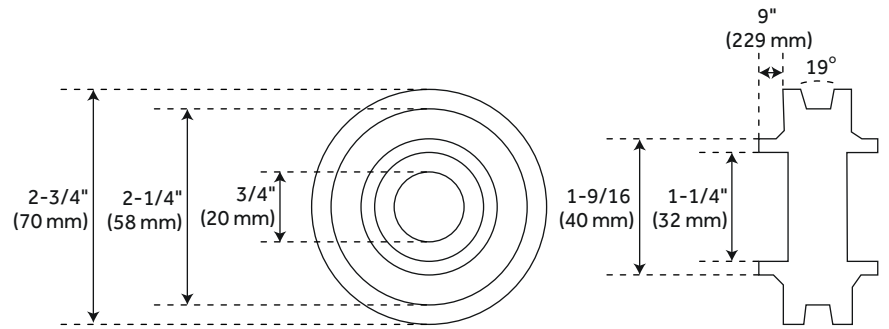
Mortise Floor Guide



Hoop Strap Hanger - Standard Wheel



Non-Mortise Floor Guide

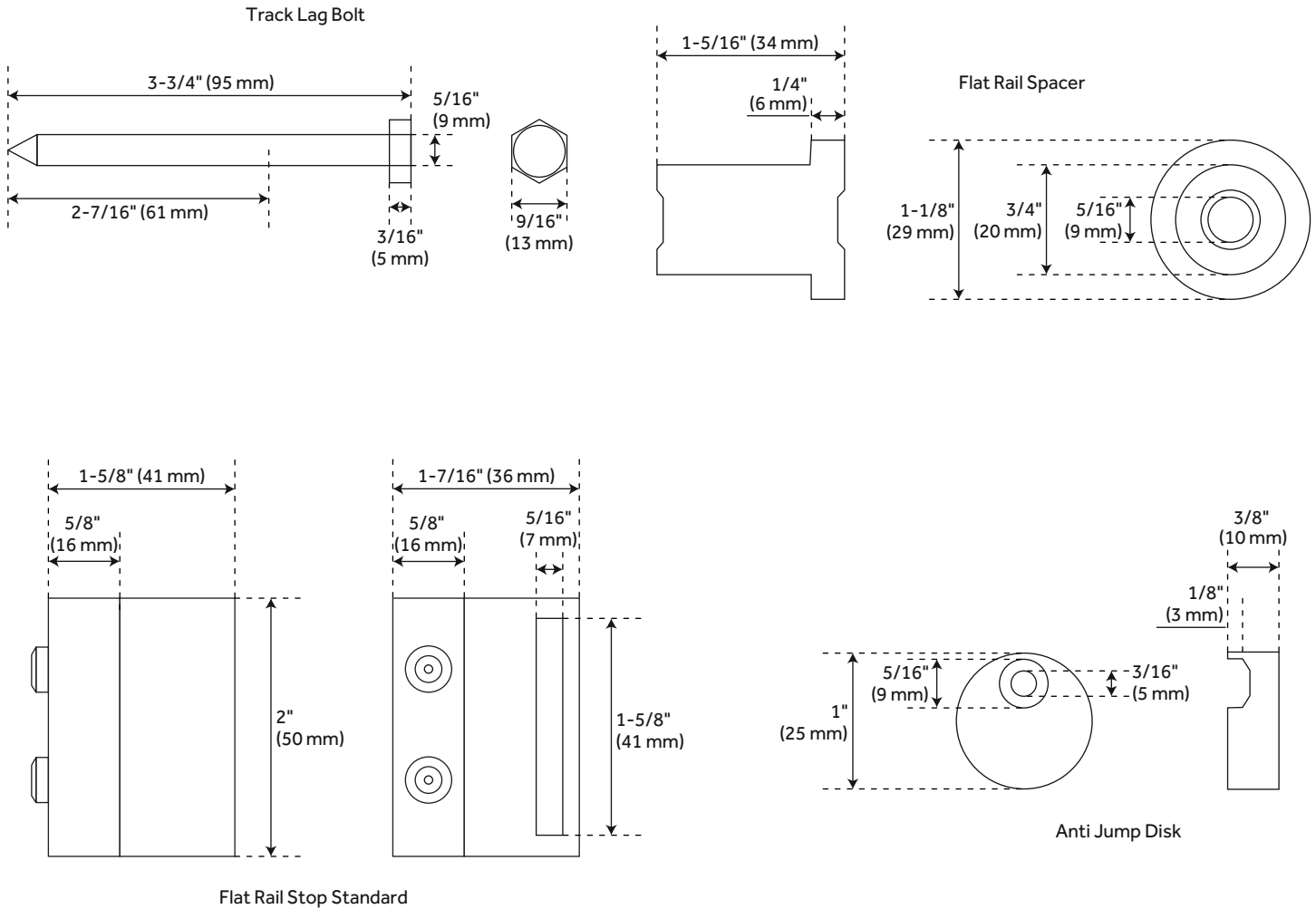


Standard Wheel

All dimensions and specifications are nominal and may vary. Use actual products for accuracy in critical situations.

96" GUFFEY BARN DOOR HARDWARE KIT

SKU: 950825



All dimensions and specifications are nominal and may vary. Use actual products for accuracy in critical situations.