

96" GUFFEY BARN DOOR HARDWARE KIT

SKU: 950825

Code: HBD5044X96, HBD5911



FEATURES

- Design: Rustic
- Product Finish: Black
- Material: Steel
- Length: 96"
- Height: 8-3/4"
- Depth: 2-1/4"
- Mounting Hardware Included: Yes
- Mounting Hardware Concealed: No
- Weight Limit (lbs): 220

REVISED 4/3/2023

96" GUFFEY BARN DOOR HARDWARE KIT

SKU: 950825

Code: HBD5044X96, HBD5911



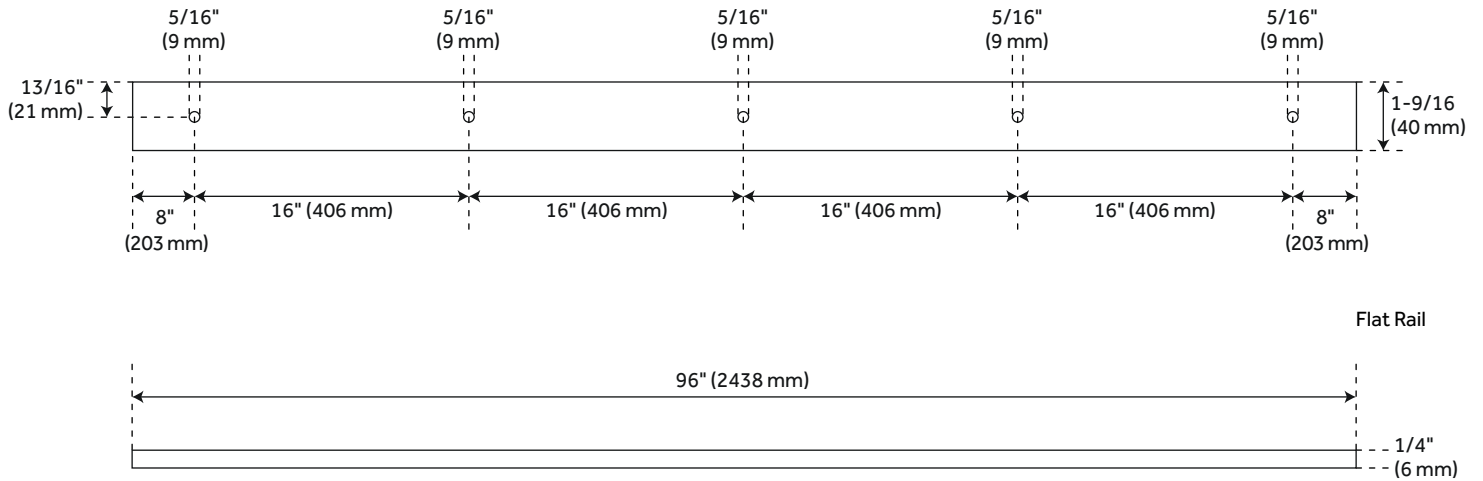
ADDITIONAL FEATURES

- For doors up to 48" wide.
- Wheel: 2-3/4" diameter.
- Steel 1-1/4" diameter roller bearings.
- Track Size: 1/4" Steel, 1-1/2" x 60" (2).
- Strap Size: 1/4" Steel, 8-3/4" x 3/4" .
- Optional Soft Close Adapter:
 - For use with flat rails.
 - Steel construction for long lasting durability.
 - Keeps door from slamming when opening and closing.
 - Installs concealed behind the rail.
- Soft close kit includes:
 - Low profile soft close adapter left hand (1).
 - Low profile soft close adapter right hand (1).
 - Low profile soft close trigger (2).
 - Trigger screws (6).
 - Cone-point set screws (8).
 - Allen wrench for set screws (1).
 - Width: 12-11/16".
 - Depth: 1-1/4".
 - Height: 1-1/8".

REVISED 4/3/2023

96" GUFFEY BARN DOOR HARDWARE KIT

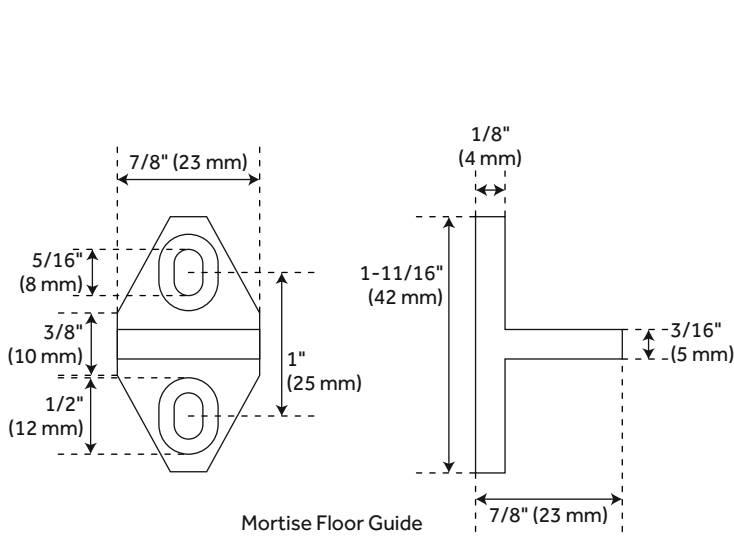
SKU: 950825



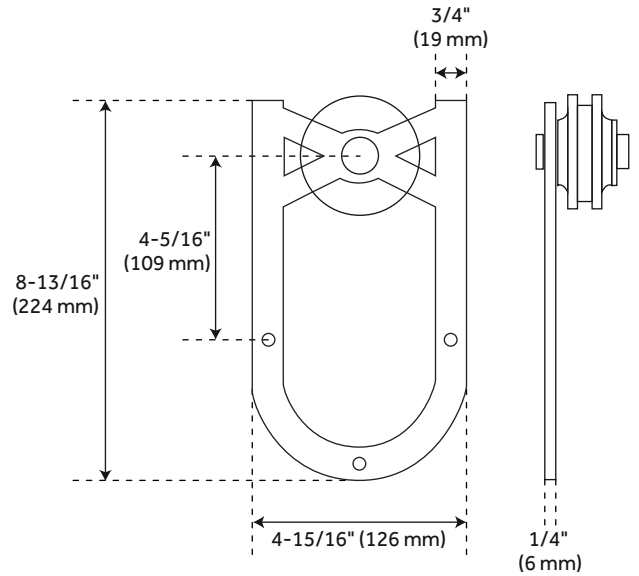
All dimensions and specifications are nominal and may vary. Use actual products for accuracy in critical situations.

96" GUFFEY BARN DOOR HARDWARE KIT

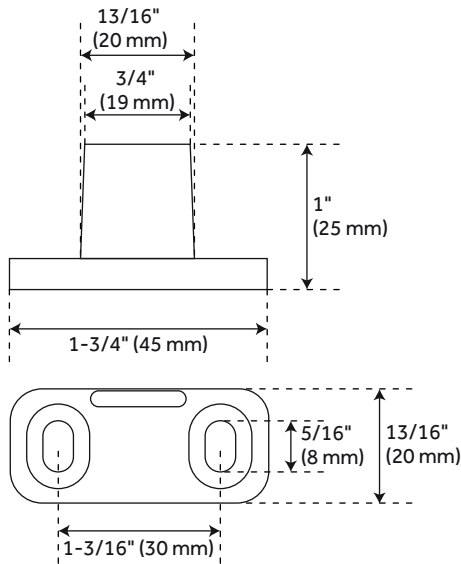
SKU: 950825



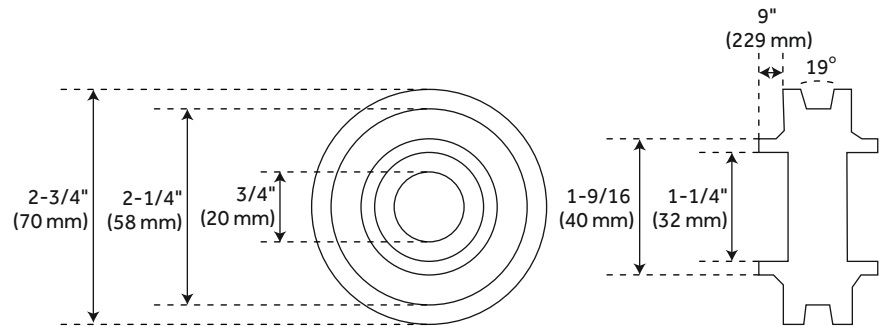
Mortise Floor Guide



Hoop Strap Hanger - Standard Wheel



Non-Mortise Floor Guide

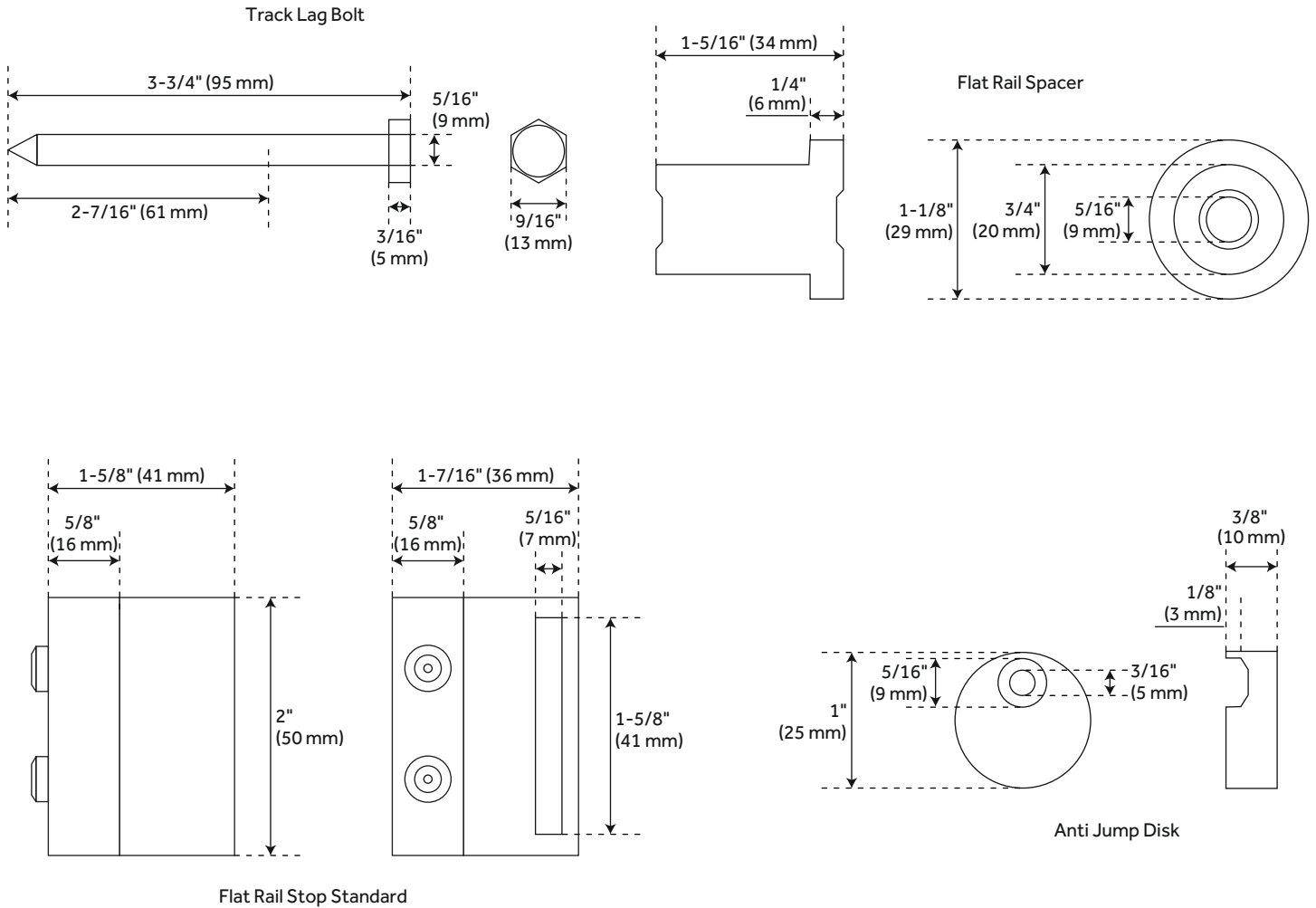


Standard Wheel

All dimensions and specifications are nominal and may vary. Use actual products for accuracy in critical situations.

96" GUFFEY BARN DOOR HARDWARE KIT

SKU: 950825



All dimensions and specifications are nominal and may vary. Use actual products for accuracy in critical situations.