

EDENTON TOILET TANK HANDLE

SKU: 951180

Code: SH429



FEATURES

Material: Brass

ADDITIONAL FEATURES

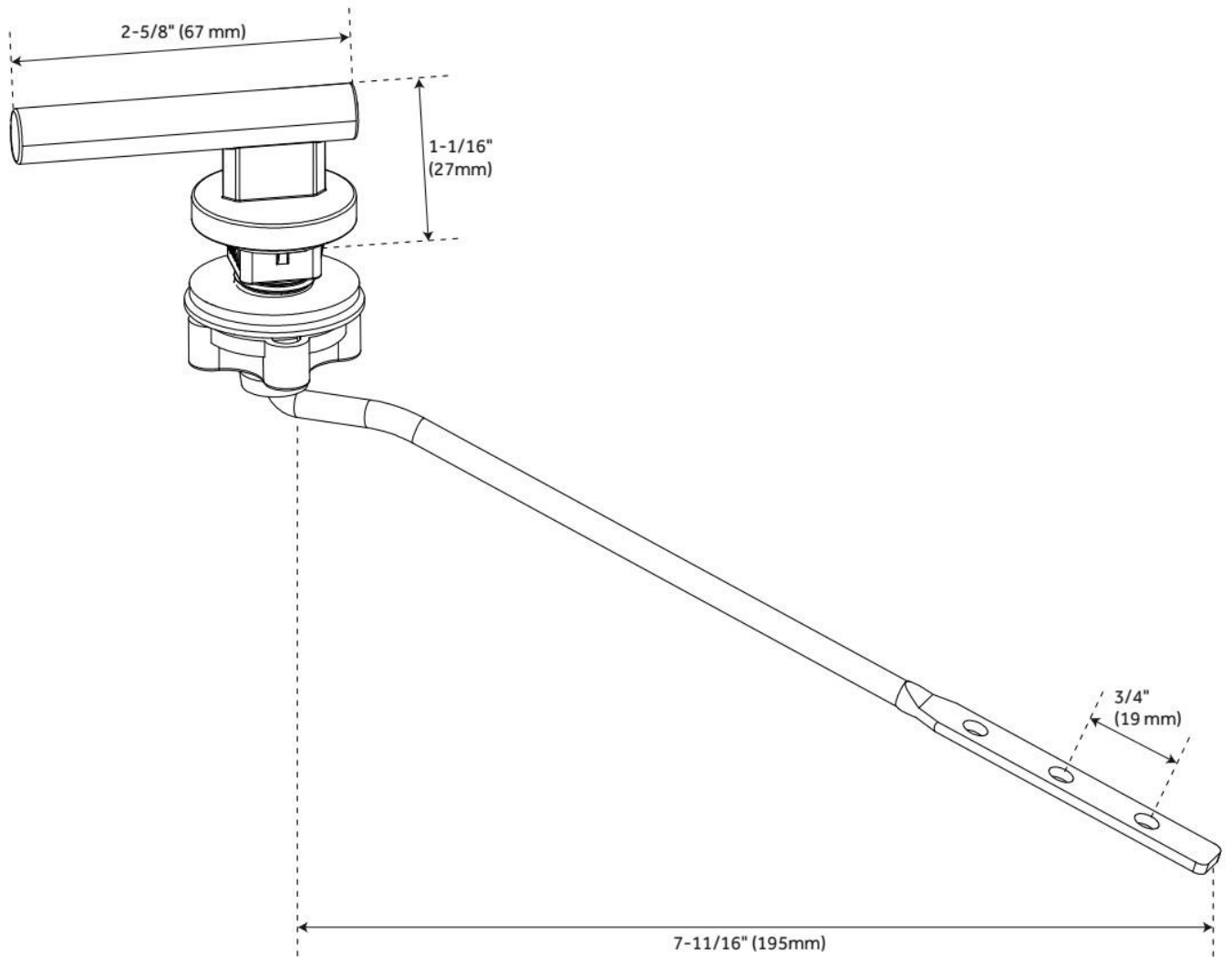
- Fits most front mount conventional toilet tanks.
- Solid brass construction trip lever and a zinc handle.
- Handle Length: 2-5/8"
- Handle Depth: 1-1/16"
- Interior Lever Length: 7-11/16"

REVISED 8/5/2024

EDENTON TOILET TANK HANDLE

SKU: 951180

Code: SH429



REVISED 8/5/2024