

LENTZ SINGLE-HOLE BATHROOM FAUCET

SKU: 951344

Code: SHWSCLZ107LH, SHLZ1HLLEV, SHLZ4DP



FEATURES

Material: Metal construction for strength and durability

Faucet Centers: Single-Hole

Installation Type: Single-Hole

Flow Rate: 1.2 gpm (4.5 L/min) @ 60 psi

Cartridge Type: Ceramic Disc

Swivel Spout: No

Drain Type: Metal push-pop with overflow

Optional Accessory: Optional deck plate: SHLZ4DP*

ASME A112.18.1/CSA B125.1, NSF/ANSI 372, NSF/ANSI 61, NSF/ANSI/CAN 61, NSF/ANSI/CAN 61-9:Q≤1, CEC Listed, WaterSense by IAPMO, Massachusetts Accepted, LISTED ID: SHLZ1HLLEV*, SHWSCLZ107LH*, SHLZ4DP*



ADDITIONAL FEATURES

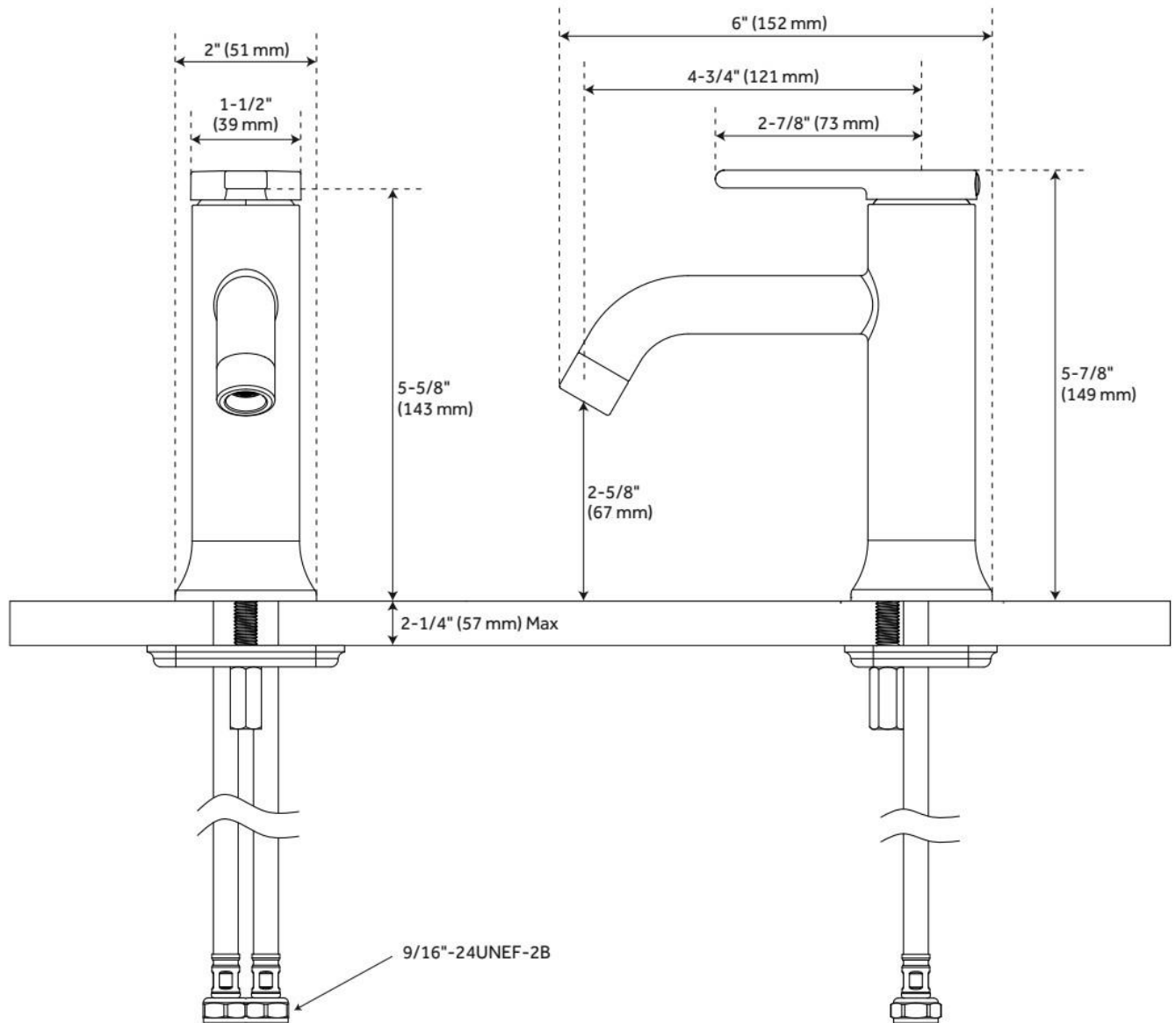
- Drain is compatible with sinks that have an overflow hole.
- A knurled and smooth aerator is included with the faucet.

REVISED 4/2/2025

LENTZ SINGLE-HOLE BATHROOM FAUCET

SKU: 951344

Code: SHWSCLZ107LH, SHLZ1HLLEV, SHLZ4DP

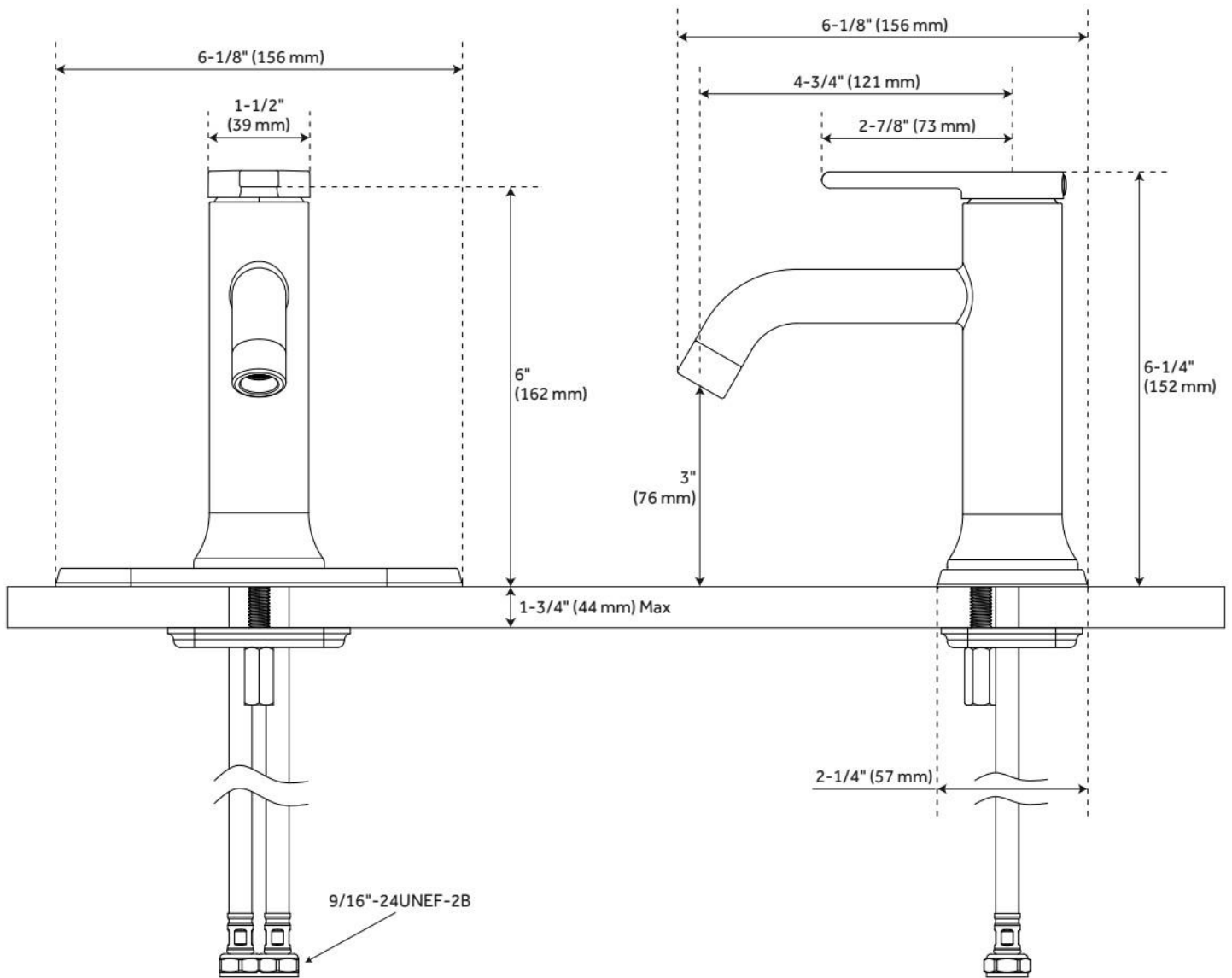


REVISED 4/2/2025

LENTZ SINGLE-HOLE BATHROOM FAUCET

SKU: 951344

Code: SHWSCLZ107LH, SHLZ1HLLEV, SHLZ4DP

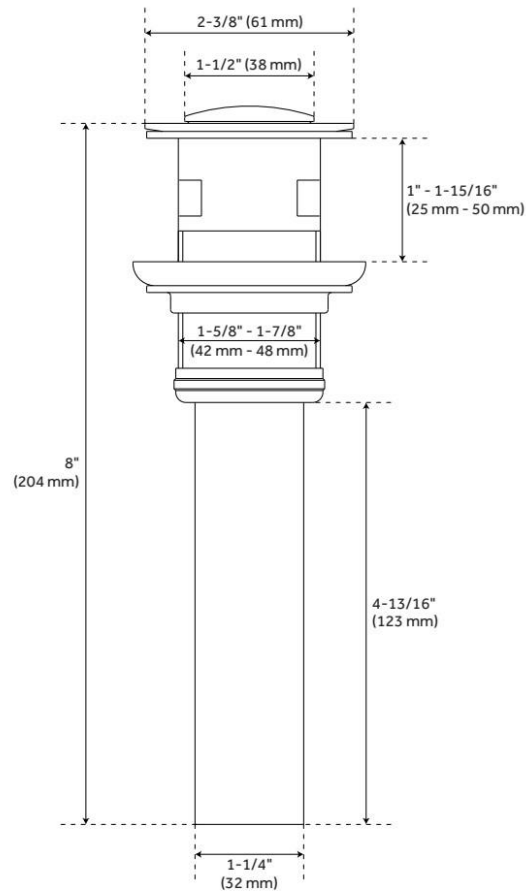


REVISED 4/2/2025

LENTZ SINGLE-HOLE BATHROOM FAUCET

SKU: 951344

Code: SHWSCLZ107LH, SHLZ1HLLEV, SHLZ4DP



REVISED 4/2/2025