

HIBISCUS 4-HOLE ROMAN TUB FAUCET AND HAND SHOWER

SKU: 951660

Code: SHHB4RTG, SH674164



FEATURES

Material: Metal construction for strength and durability

Installation Type: Deck Mount

Flow Rate: 13.1 gpm (45.42 L/min) @ 80 psi

Cartridge Type: Ceramic Disc

Swivel Spout: No

Required for Installation: Rough-in valve: SH674164

ASME A112.18.1/CSA B125.1, LISTED ID: SH674164



ADDITIONAL FEATURES

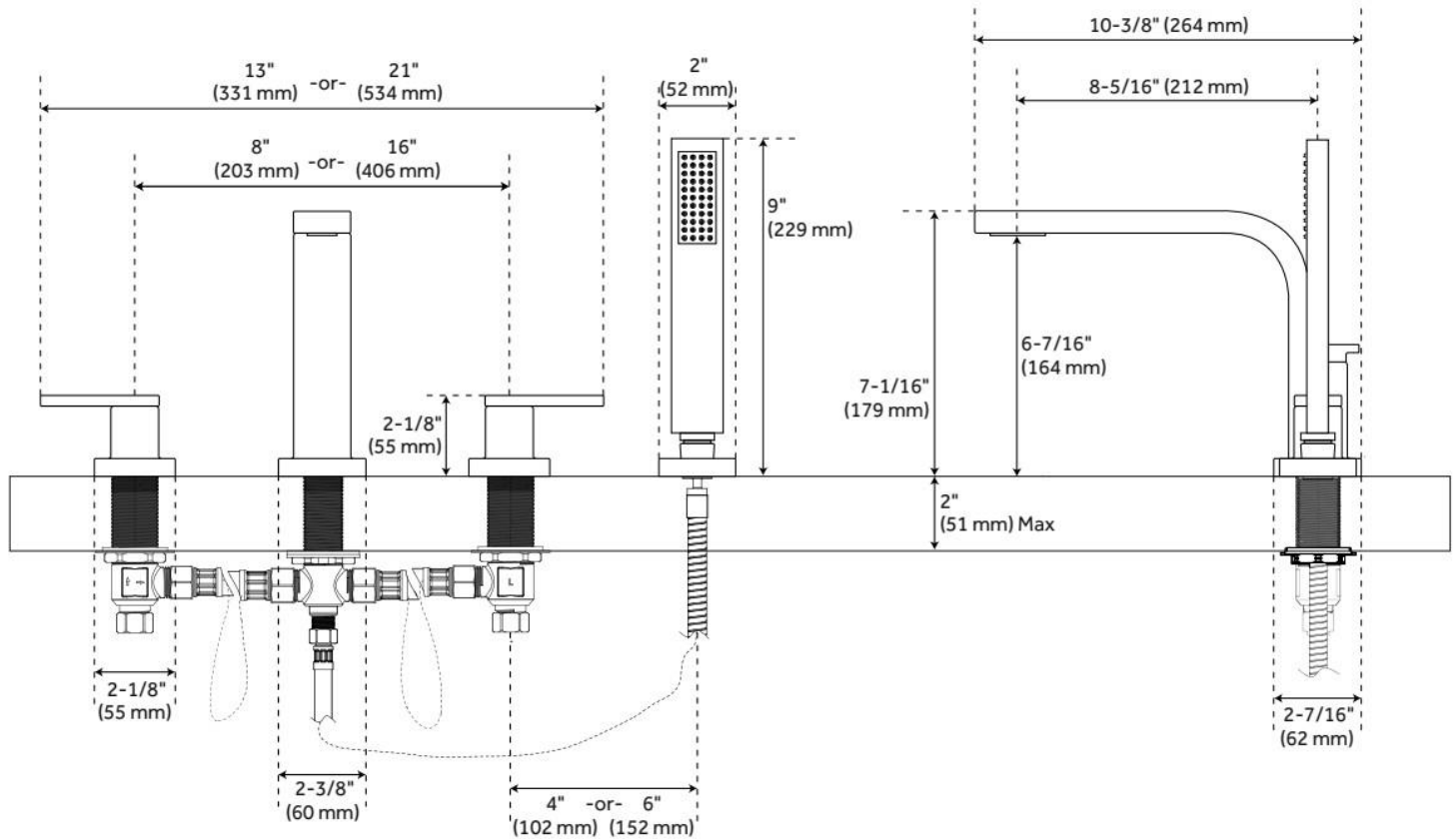
- 4-hole installation.
- Spout max. flow rate: 12.7 gpm (48.1L/min) max @ 80 psi.
- Hand shower max. flow rate: 1.8 gpm (6.8 L/min) @ 80 psi.
- Lift rod diverter to handshower.
- Handshower included.
- Optional rough-in valve:
- Brass coupling nut.
- Accommodates an 8" - 16" faucet's spread.
- Deck thickness max. 2".

REVISED 5/15/2024

HIBISCUS 4-HOLE ROMAN TUB FAUCET AND HAND SHOWER

SKU: 951660

Code: SHHB4RTG, SH674164



REVISED 5/15/2024

4-HOLE ROMAN TUB FAUCET ROUGH-IN VALVE

SKU: 448005
Code: SH674164

FEATURES

Installation Type: Deck Mount



ASME A112.18.1/CSA B125.1, Massachusetts Accepted, LISTED ID: SH674164



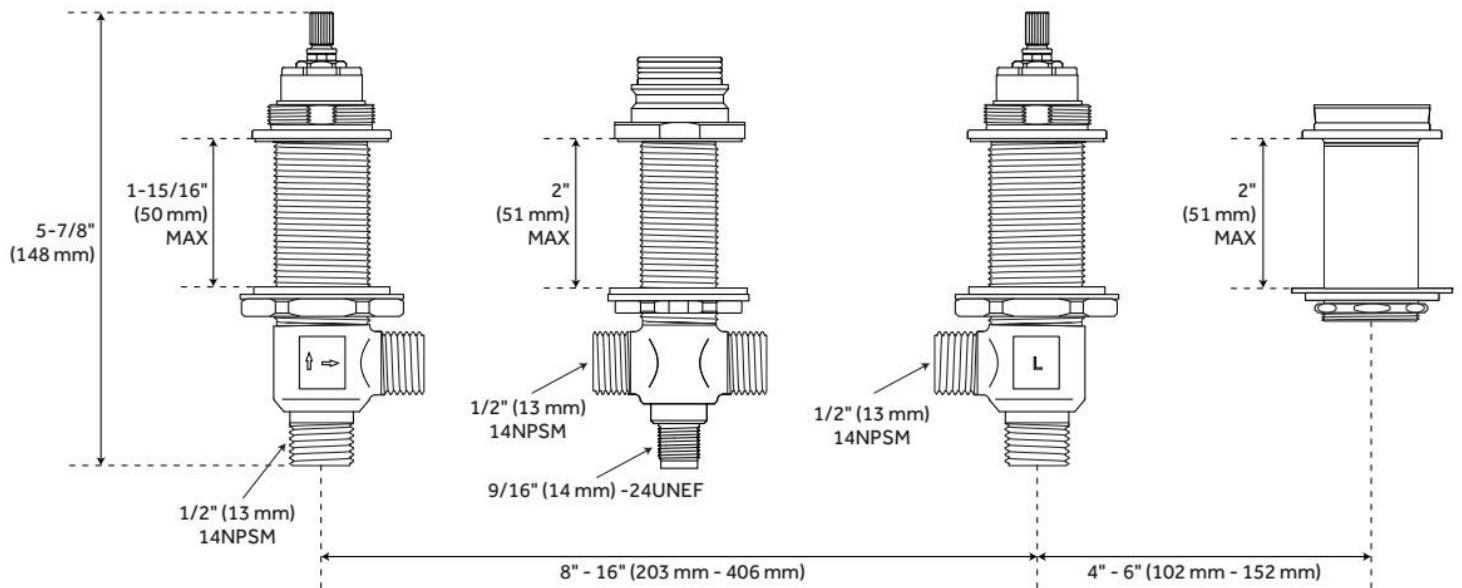
ADDITIONAL FEATURES

- Compatible with Beasley, Carraway, Provincetown, St. Martin and Vilamonte 4-Hole Roman Tub Faucets.
- 4-Hole Installation.
- Brass coupling nut.
- Faucet can be installed with variable centers from 8" - 16".

REVISED 5/15/2024

4-HOLE ROMAN TUB FAUCET ROUGH-IN VALVE

SKU: 448005
Code: SH674164



REVISED 5/15/2024