

ADRIOT DEADBOLT - 1-CYLINDER FOR ENTRANCE SET

SKU: 951716-KE-DB

Code: SH478351, SH478353, SH478352, SH478350, SH478347

FEATURES

Design: Modern

Material: Zinc

Width: 2-7/16"

Height: 2-7/16"

Depth: 1-3/16"

Mounting Hardware Included: Yes

Mounting Hardware Concealed: No

Centers: 1"

Door Set Function: Entrance Lock

Mounts From: Front



REVISED 3/13/2023

ADRIOT DEADBOLT - 1-CYLINDER FOR ENTRANCE SET

SKU: 951716-KE-DB

Code: SH478351, SH478353, SH478352, SH478350, SH478347



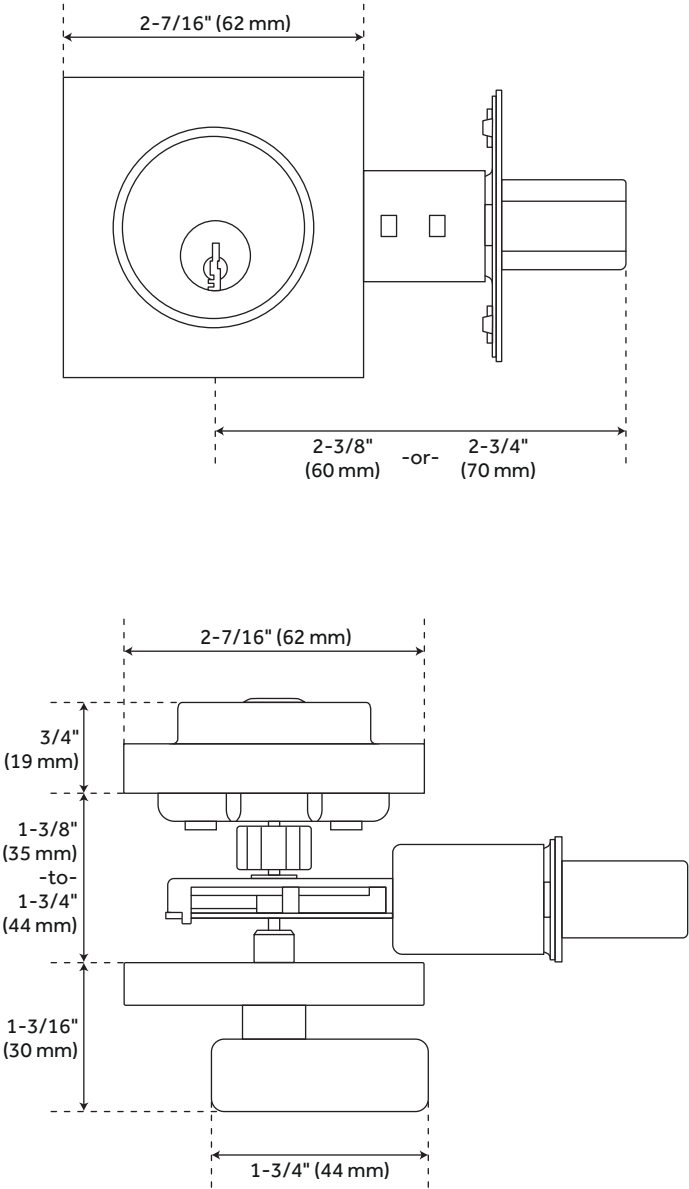
ADDITIONAL FEATURES

- Door Thickness - Fits 1-3/8" to 1-3/4" standard door thickness.
- Door Preparation - Cross bore: 2-1/8", edge: 1".
- Heavy Die Cast Rosette.
- KW1 Five Pin Keyway with Brass Pins.
- Nickel Plated Brass Keys (2).
- Reversible Non Handed.

REVISED 3/13/2023

ADRIOT DEADBOLT - 1-CYLINDER FOR ENTRANCE SET

SKU: 951716-KE-DB



All dimensions and specifications are nominal and may vary. Use actual products for accuracy in critical situations.