

SEDALIA DEADBOLT - 1-CYLINDER FOR ENTRANCE SET

SKU: 951718-KE-DB
Code: HLK8121

FEATURES

Design: Traditional
Material: Zinc
Width: 2-9/16"
Height: 2-9/16"
Depth: 1-1/16"
Mounting Hardware Included: Yes
Mounting Hardware Concealed: No
Centers: 1"
Door Set Function: Entrance Lock
Mounts From: Front



REVISED 3/15/2023

SEDALIA DEADBOLT - 1-CYLINDER FOR ENTRANCE SET

SKU: 951718-KE-DB

Code: HLK8121



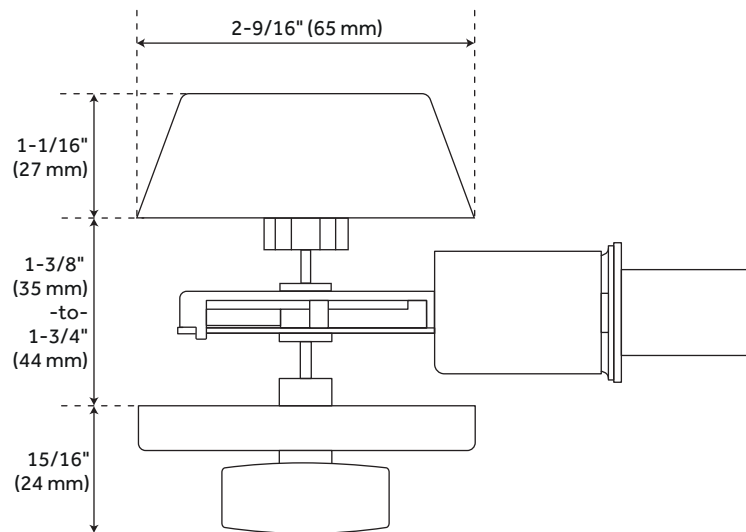
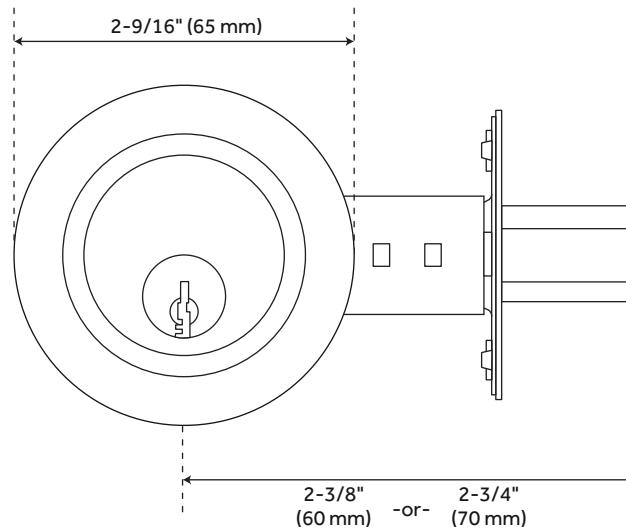
ADDITIONAL FEATURES

- Door Thickness - Fits 1-3/8" to 1-3/4" standard door thickness.
Door Preparation - Cross bore: 2-1/8", edge: 1".
- Heavy Die Cast Rosette.
- KW1 Five Pin Keyway with Brass Pins.
- Nickel Plated Brass Keys (2).
- Reversible Non Handed.

REVISED 3/15/2023

SEDALIA DEADBOLT - 1-CYLINDER FOR ENTRANCE SET

SKU: 951718-KE-DB



All dimensions and specifications are nominal and may vary. Use actual products for accuracy in critical situations.