

RIDGEWAY PULL-DOWN TWO-TONE KITCHEN FAUCET

SKU: 951732-TT

Code: SH484593, SH484594, SH485807, SH485808, OBPF1F80037



FEATURES

Material: Metal construction for strength and durability

Faucet Centers: Single-Hole

Installation Type: Single-Hole

Flow Rate: 1.75 gpm (6.6 L/min) @ 60 psi

Spray Type: Stream, Full

Cartridge Type: Ceramic Disc

Swivel Spout: Yes

Optional Accessory: Optional deck plate: OBPF1F80037*

ASME A112.18.1/CSA B125.1, NSF/ANSI 372, NSF/ANSI 61, NSF/ANSI/CAN 61, NSF/ANSI/CAN 61-9:Q≤1, ICC/ANSI A117.1, CEC Listed, CALGreen, Massachusetts Accepted, LISTED ID: SHXCRD107*



ADDITIONAL FEATURES

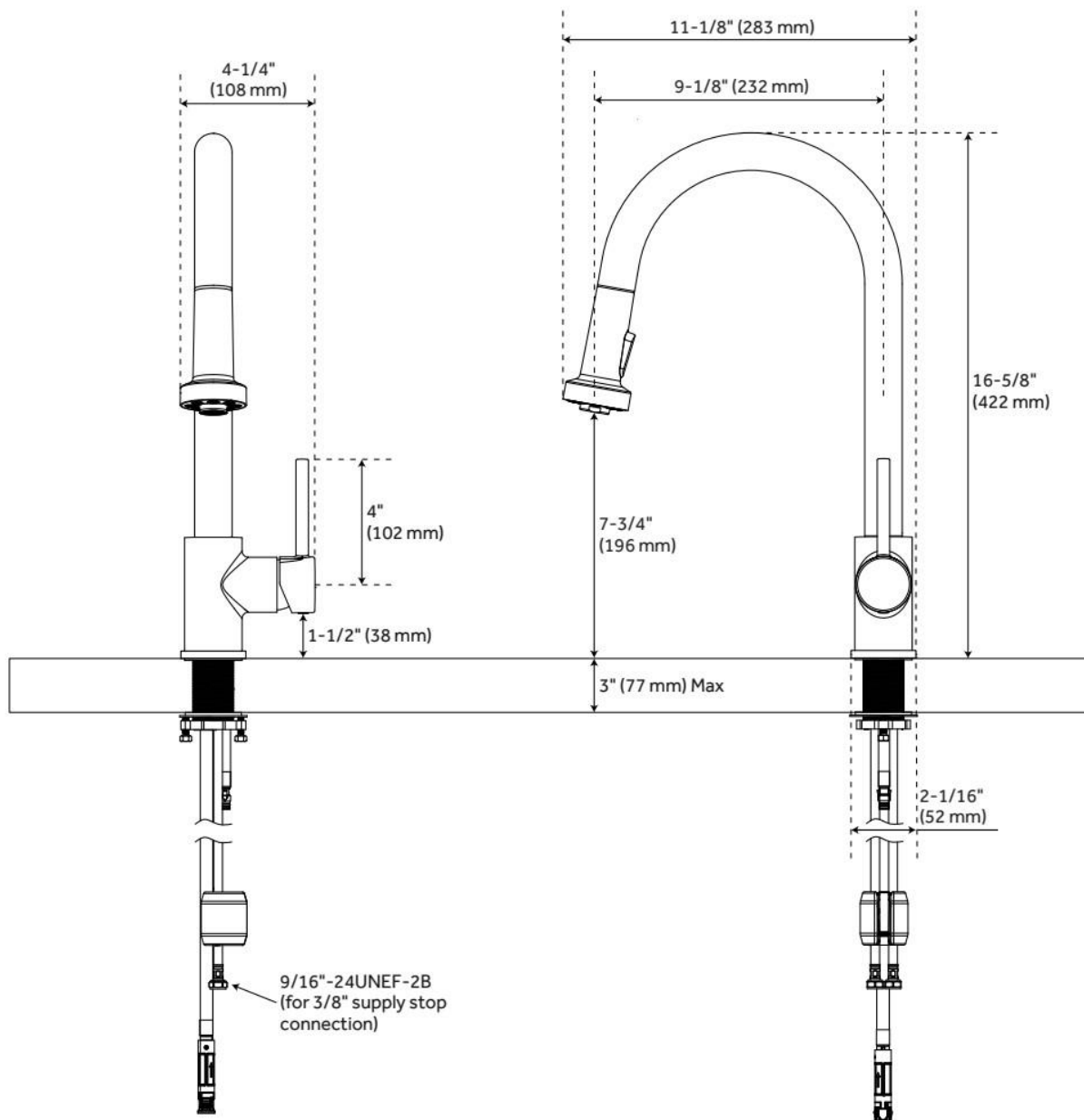
- 2-function sprayer stream (Spray & Aerated).
- Pull-down sprayer hose.
- Deck plate can be used to hide holes when retrofitting from a widespread faucet.
- The Deck Plate length is 10-1/4".

REVISED 9/16/2024

RIDGEWAY PULL-DOWN TWO-TONE KITCHEN FAUCET

SKU: 951732-TT

Code: SH484593, SH484594, SH485807, SH485808, OBPF1F80037

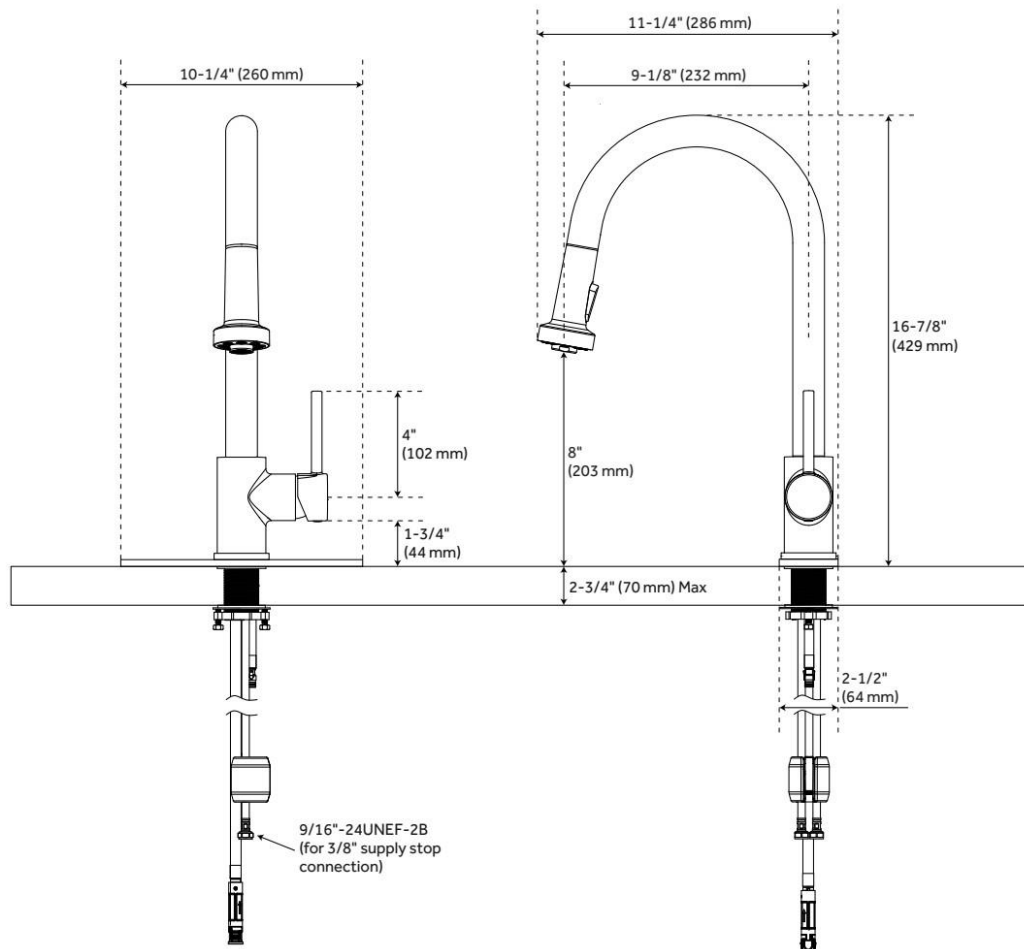


REVISED 9/16/2024

RIDGEWAY PULL-DOWN TWO-TONE KITCHEN FAUCET

SKU: 951732-TT

Code: SH484593, SH484594, SH485807, SH485808, OBP1F80037



REVISED 9/16/2024