

48" RAKSHA STAINLESS STEEL JAPANESE SOAKING TUB

SKU: 953051

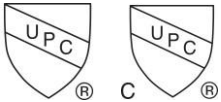
Code: SH473910, SH473911, SH473912, SH473909, SH479925, SH473902, SH473908, SH473913



FEATURES

Tub Material: Stainless Steel
Product Finish: Stainless Steel
Shape: Oval
Tub Drain Placement: End
Drain Included: Optional
Water Depth to Overflow: 26-1/2"
Water Capacity (Gallons): 242
Built-In Adjusters: No
Tub Weight Uncrated (lbs): 332
Optional Accessory: 428473

LISTED ID: 327547, 510724, SHRKSS4833, 510720, 510721, 510729



ADDITIONAL FEATURES

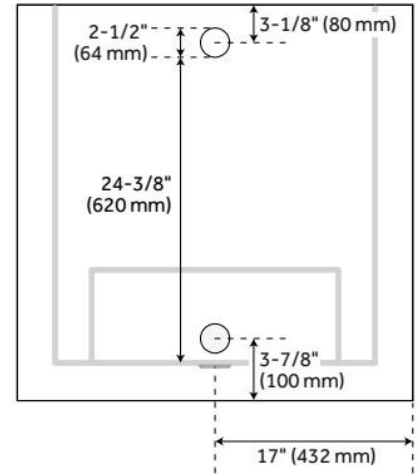
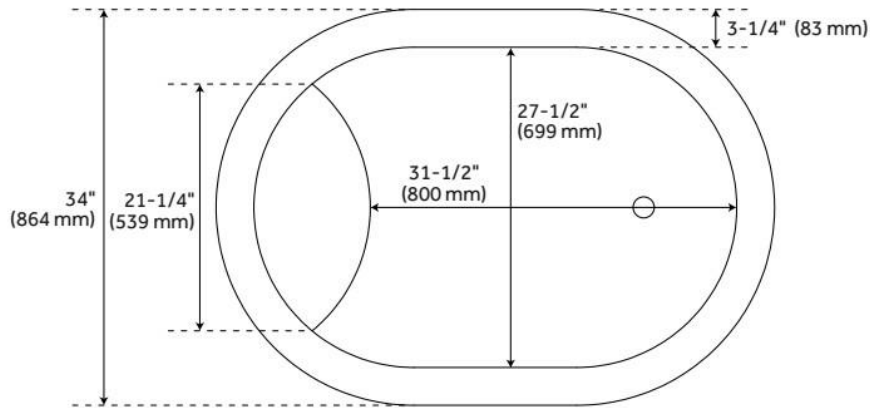
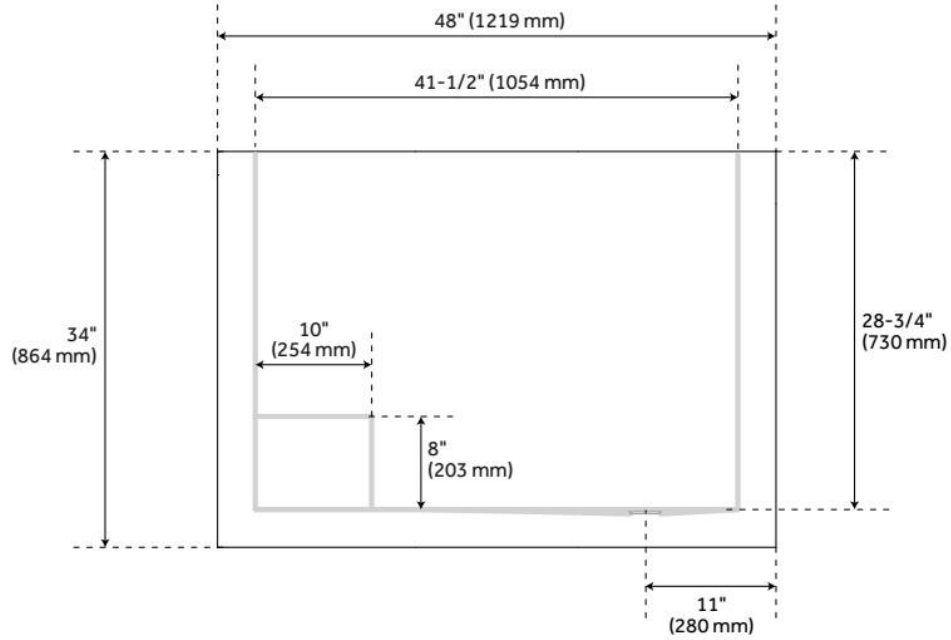
- Made of 16-gauge stainless steel.
- Requires wall-mount or floor-mount tub filler.
- Tub is handmade and therefore unique. Expect slight variations in finish and dimensions.(± 1").
- Overflow drain includes a Standard overflow which remains open to allow water into the drain.
- Optional Quick Connect Drop-In Drain Kit Includes:
 - Floor Plate, 1-1/2" PVC Pipe, 2" x 1-1/2" Trap Adapters, 1 Brass Threaded, 1 Brass Unthreaded Tailpiece and Plug.
 - Installs above your subfloor, but underneath your cement floor or tile, so you do not need access below the fixture.

REVISED 7/11/2024

48" RAKSHA STAINLESS STEEL JAPANESE SOAKING TUB

SKU: 953051

Code: SH473910, SH473911, SH473912, SH473909, SH479925, SH473902, SH473908, SH473913



REVISED 7/11/2024