

48" RAKSHA HAMMERED COPPER JAPANESE SOAKING TUB

SKU: 953052

Code: SH473922,SH473923,SH473924,SH473928,SH473930,SH473931,SH473932,SH473936,SH479921,SH479922



FEATURES

Design: Industrial
Product Finish: Antique Copper Patina
Material: Copper
Length: 48"
Width: 33-1/2"
Height: 34"
Water Depth To Overflow: 26-1/2"
Exterior Treatment: Hammered
Interior Treatment: Hammered
Metal Gauge/Thickness: 16 Gauge
Faucet Included: No
Shape: Oval
Water Depth to Rim: 29-1/4"
Tub Overflow: Yes
Tub Material: Copper
Tub Interior Length: 39"
Tub Interior Width: 30"
Tap Deck: No
Faucet Drillings: No Drillings
Tub Weight Uncrated (lbs): 242
Tub Weight Crated (lbs): 352

CSA B45.12/IAPMO Z402



REVISED 3/14/2024

48" RAKSHA HAMMERED COPPER JAPANESE SOAKING TUB

SKU: 953052

Code: SH473922,SH473923,SH473924,SH473928,SH473930,SH473931,SH473932,SH473936,SH479921,SH479922

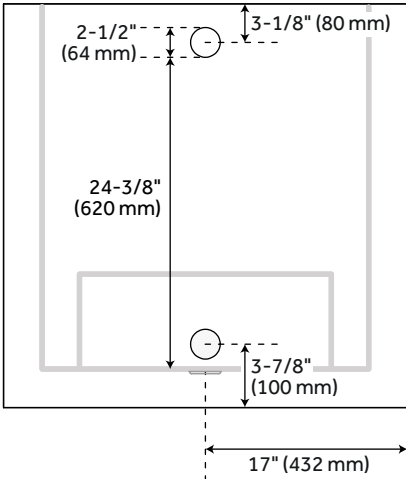
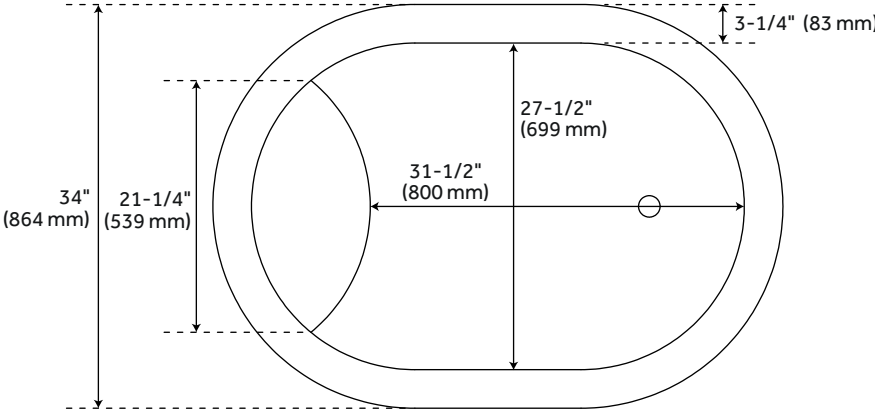
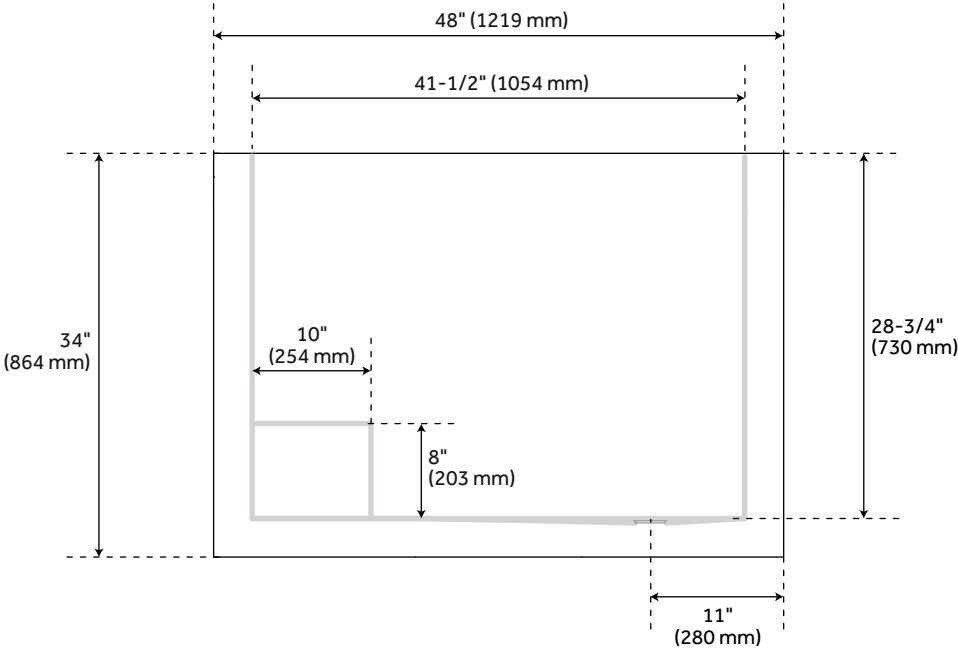


ADDITIONAL FEATURES

- Hand-polished finish.
- Patina applied using French hot process, so color is ingrained in the copper.
- Tubs are handmade and therefore unique. Expect slight variations in finish and dimensions ($\pm 1"$).
- Requires wall-mount or floor-mount tub filler.
- Overflow drain includes a Standard overflow which remains open to allow water into the drain.
- To keep the tub in premium condition, it is recommended to not use anything abrasive for bathing or cleaning, including products like Epsom salts, bristle brushes, and harsh soaps.
- Optional Quick Connect Drop-In Drain Kit Includes:
 - Floor Plate, 1-1/2" PVC Pipe, 2" x 1-1/2" Trap Adapters, 1 Brass Threaded, 1 Brass Unthreaded Tailpiece and Plug.
 - Installs above your subfloor, but underneath your cement floor or tile, so you do not need access below the fixture.

REVISED 3/14/2024

48" RAKSHA HAMMERED COPPER JAPANESE SOAKING TUB



All dimensions and specifications are nominal and may vary. Use actual products for accuracy in critical situations.