

48" RAKSHA HAMMERED COPPER JAPANESE SOAKING TUB

SKU: 953052

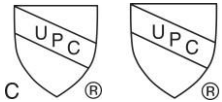
Code: SH473922, SH473930, SH473923, SH473931, SH479921, SH473924, SH473932, SH479922, SH473928, SH473936



FEATURES

Tub Material: Copper
Product Finish: Antique Copper Patina
Shape: Oval
Tub Drain Placement: End
Drain Included: Optional
Water Depth to Overflow: 24-3/8"
Water Capacity (Gallons): 86
Built-In Adjusters: No
Tub Weight Uncrated (lbs): 242
Optional Accessory: 428473

ASME A112.18.2/CSA B125.2, CSA B45.12/IAPMO Z402, LISTED ID: 510720, SHRKCO4833, 510721, 510724, 510729



ADDITIONAL FEATURES

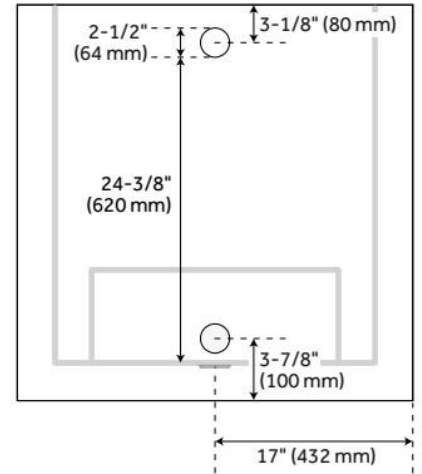
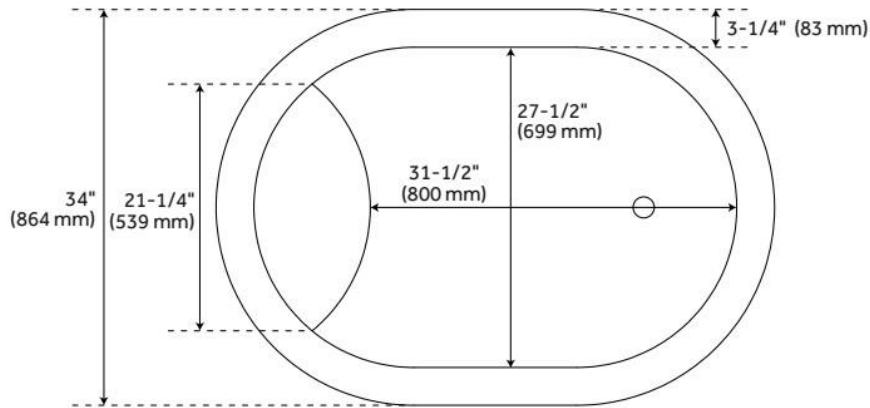
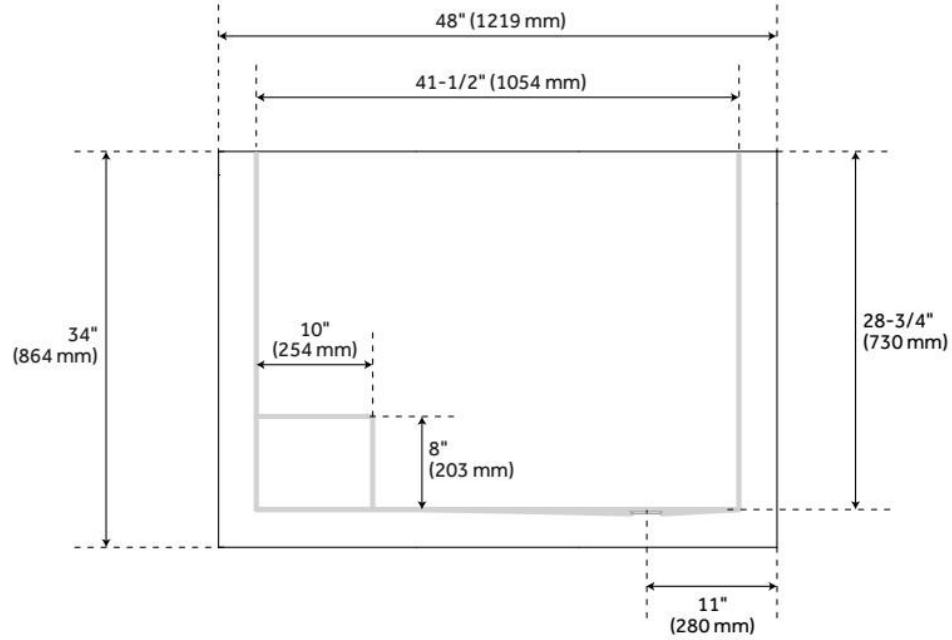
- Hand-polished finish.
- Patina applied using French hot process, so color is ingrained in the copper.
- Tubs are handmade and therefore unique. Expect slight variations in finish and dimensions (± 1 ").
- Requires wall-mount or floor-mount tub filler.
- Overflow drain includes a Standard overflow which remains open to allow water into the drain.
- Insulation option: increases heat retention and prevents condensation due to water and air temperature fluctuations.
- To keep the tub in premium condition, it is recommended to not use anything abrasive for bathing or cleaning, including products like Epsom salts, bristle brushes, and harsh soaps.

REVISED 6/21/2024

48" RAKSHA HAMMERED COPPER JAPANESE SOAKING TUB

SKU: 953052

Code: SH473922, SH473930, SH473923, SH473931, SH479921, SH473924, SH473932, SH479922, SH473928, SH473936



REVISED 6/21/2024

EXTENDED POP-UP TUB DRAIN - SWIVEL HEAD - STANDARD OVERFLOW - 1-1/2" TUBING

SKU: 943092

Code: SH440231, SH437313, SH437314, SH437309, SH437310, SH437311, SH437312, SH440233, SH437315, SH437316, SH437317, SH437318, SH437338, SH437319, SH440232, SH437331, SH437332, SH437333, SH437334, SH437335, SH437336, SH440234, SH437320, SH437321, SH437322, SH437323, SH437324, SH437325, SH440230, SH437326, SH437327, SH437328, SH437329, SH437330, SH437337

FEATURES



LISTED ID: 510720, 510721, 510724, 510729



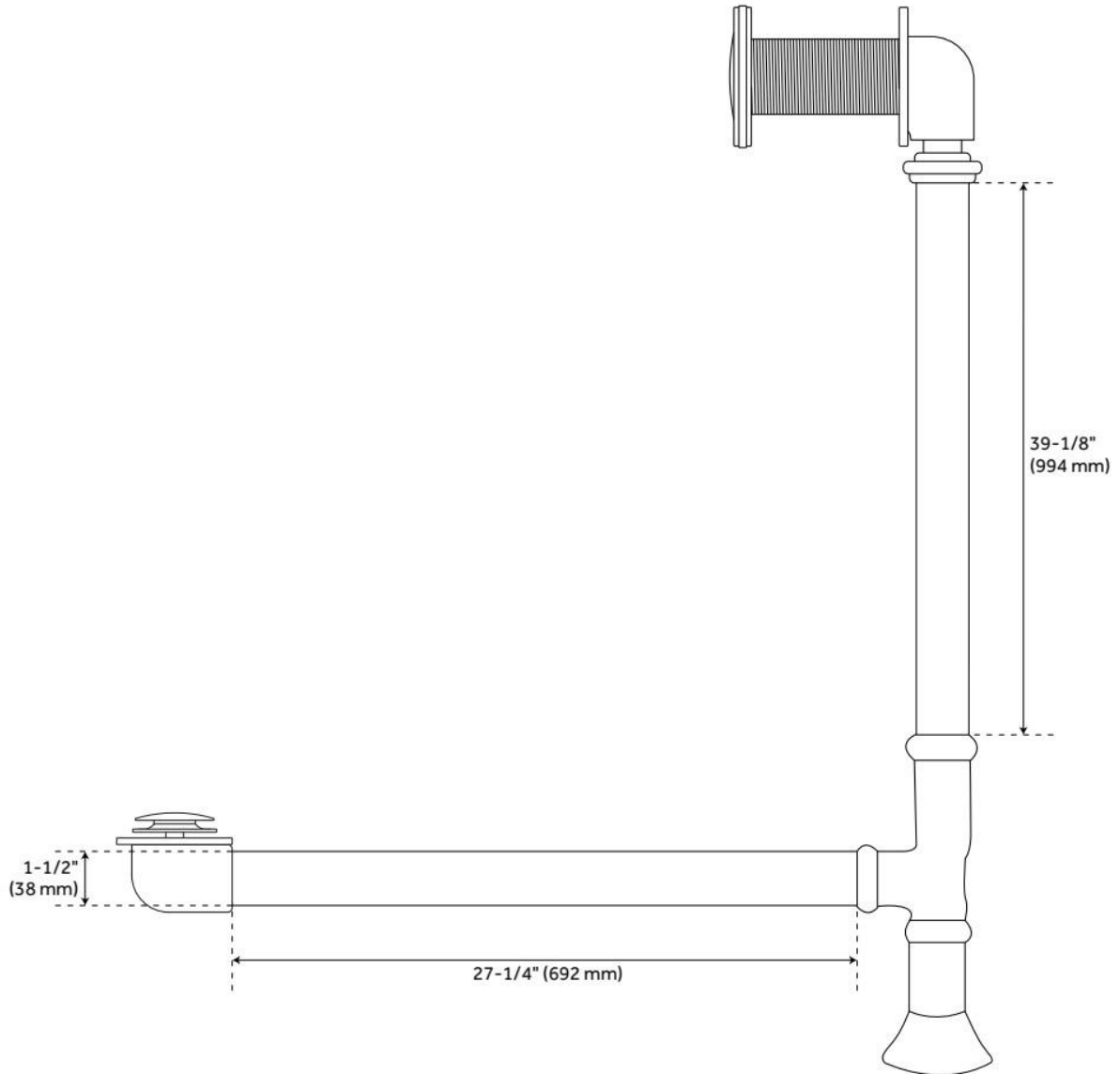
- Product is a Signature Hardware exclusive design.
- Overflow does not have the ability to be sealed.
- Can be used on double wall tubs.
- Made from solid brass materials.
- 1-5/16" Thread length dimensions: 27-1/4" L drain pipe, 39-1/8" H overflow pipe. Accommodates tub walls up to 7/8" thick at overflow.
- 2-3/8" thread length dimensions: 27-1/4" L drain pipe, 39-1/8" H overflow pipe. Accommodates tub walls up to 1-3/4" thick at overflow.
- 2-15/16" thread length dimensions: 27-1/4" L drain pipe, 39-1/8" H overflow pipe. Accommodates tub walls up to 2-1/2" thick at overflow.
- 3-11/16" thread length dimensions: 27-1/4" L drain pipe, 39-1/8" H overflow pipe. Accommodates tub walls up to 3-3/8" thick at overflow.
- 4-1/4" thread length dimensions: 27-1/4" L drain pipe, 39-1/8" H overflow pipe. Accommodates tub walls up to 3-3/4" thick at overflow.

REVISED 6/18/2024

EXTENDED POP-UP TUB DRAIN - SWIVEL HEAD - STANDARD OVERFLOW - 1-1/2" TUBING

SKU: 943092

Code: SH440231, SH437313, SH437314, SH437309, SH437310, SH437311, SH437312, SH440233, SH437315, SH437316, SH437317, SH437318, SH437338, SH437319, SH440232, SH437331, SH437332, SH437333, SH437334, SH437335, SH437336, SH440234, SH437320, SH437321, SH437322, SH437323, SH437324, SH437325, SH440230, SH437326, SH437327, SH437328, SH437329, SH437330, SH437337



REVISED 6/18/2024