

3-WAY IN-WALL DIVERTER ROUGH-IN VALVE

SKU: 953056
Code: SH6103, SH6101

FEATURES

Material: Brass



ASME A112.18.1/CSA B125.1, ASME A112.18.2/CSA B125.2, Massachusetts Accepted, LISTED ID: SH6103, SH6101



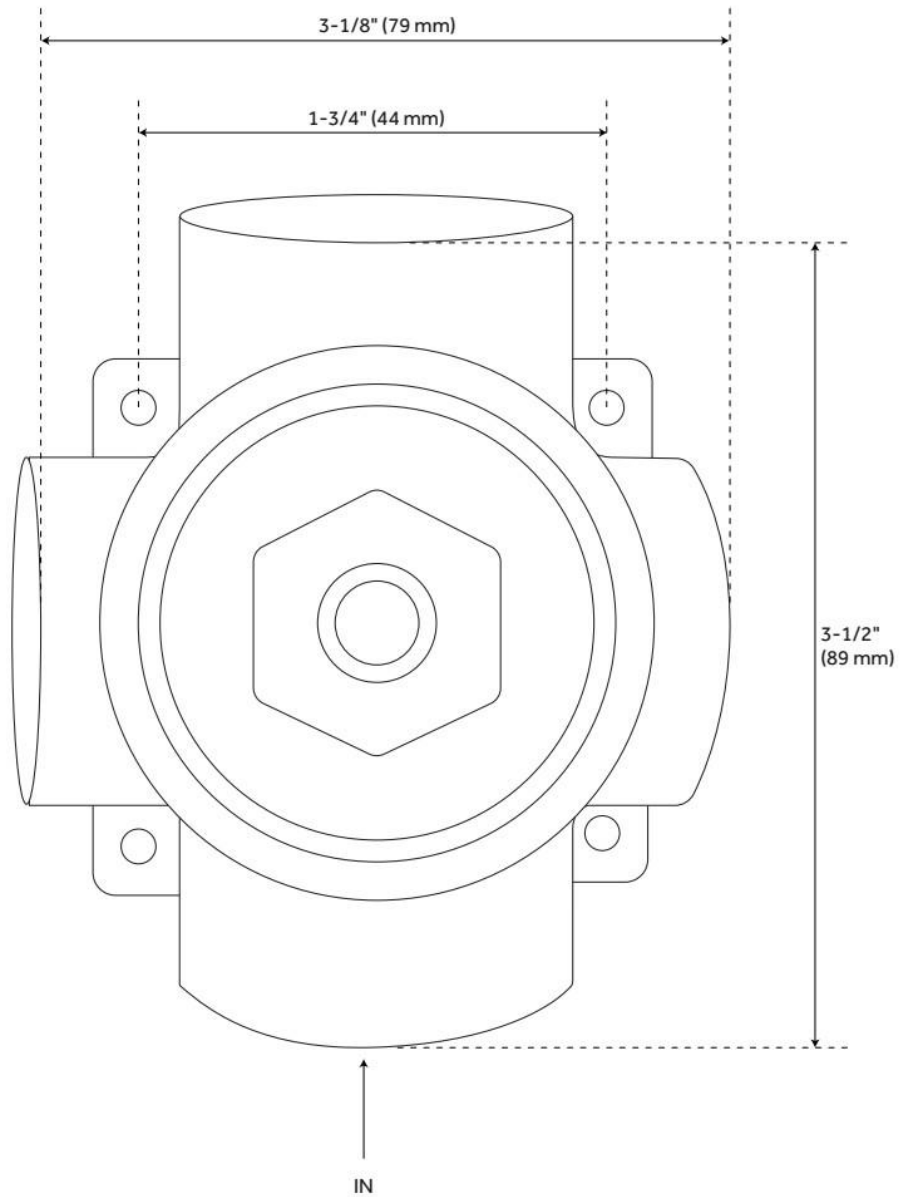
ADDITIONAL FEATURES

- Six total settings allow for shared water flow between outlets, giving you the ability to use two functions at once.
- Ceramic cartridge.
- Available Single-Function Diverter Valve Cartridge restricts water flow to one outlet at a time.
- Not intended as a shut off valve.
- For installations only requiring 2 outlets, the 3rd outlet may be looped into one of the existing pipes.
- Compatible with Beasley, Berwyn, Boca Raton, Drea, Edenton, Elita, Greyfield, Gunther, Hibiscus, Key West, Lentz, Lexia, Pendleton, Pinecrest, Provincetown, Rigi, Sefina, Vassor and Vilamonte Diverter Trims.

REVISED 5/29/2024

3-WAY IN-WALL DIVERTER ROUGH-IN VALVE

SKU: 953056
Code: SH6103, SH6101



REVISED 5/29/2024