

# GUNTHER SINGLE-HOLE BATHROOM FAUCET

SKU: 953078

Code: SHWSCGU100



## FEATURES

Material: Metal construction for strength and durability

Installation Type: Single-Hole

Flow Rate: 1.2 gpm (4.5 L/min) @ 60 psi

Cartridge Type: Ceramic Disc

Swivel Spout: No

Drain Type: Metal push-pop with overflow

ASME A112.18.1/CSA B125.1, NSF/ANSI 372, NSF/ANSI 61, NSF/ANSI/CAN 61, NSF/ANSI/CAN 61-9:Q≤1, CEC Listed, WaterSense by IAPMO, Massachusetts Accepted, LISTED ID: SHWSCGU100XX



## ADDITIONAL FEATURES

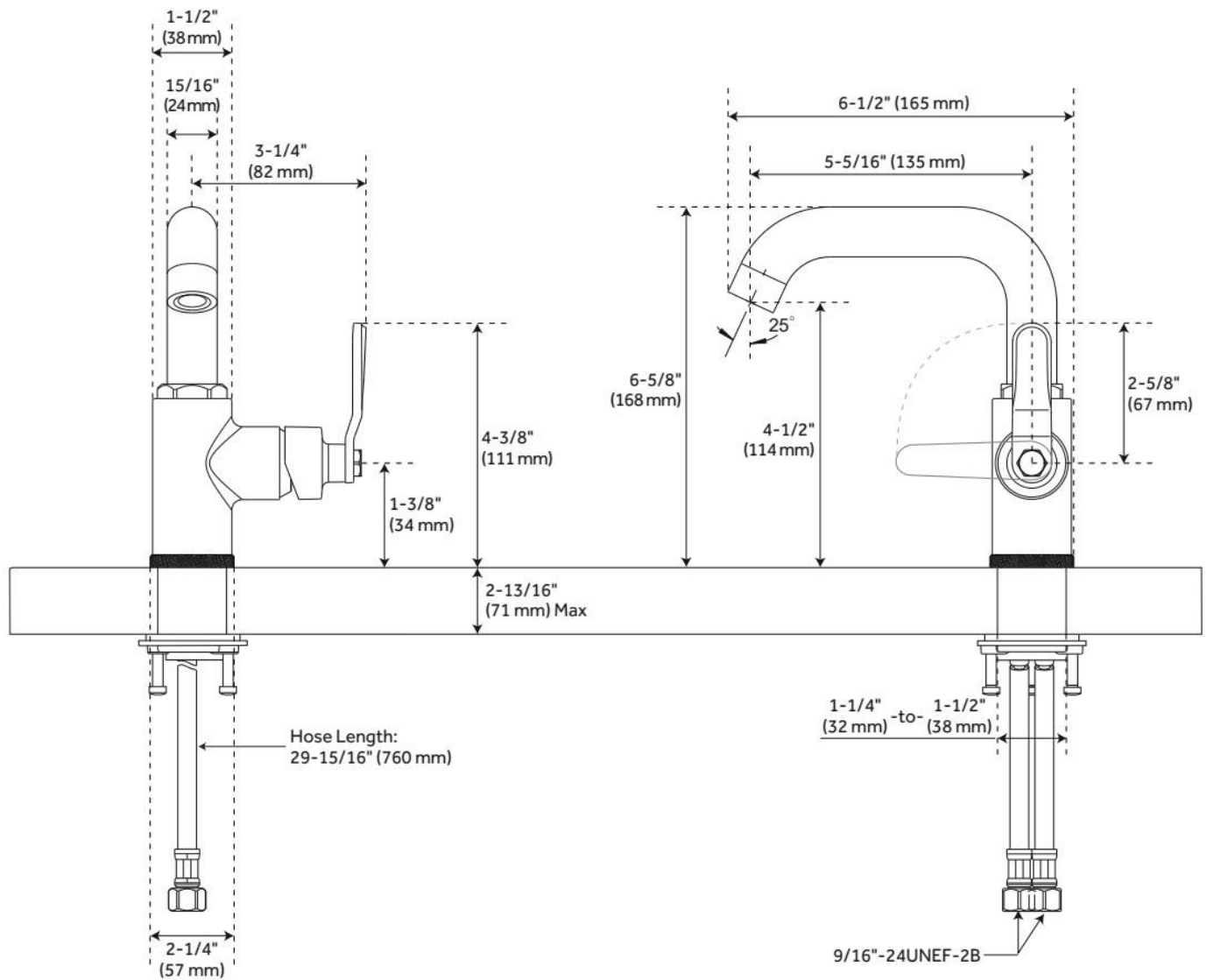
- Drain is compatible with sinks that have an overflow hole.
- Included deck plate is not required for installation.

REVISED 5/21/2024

# GUNTHER SINGLE-HOLE BATHROOM FAUCET

SKU: 953078

Code: SHWSCGU100

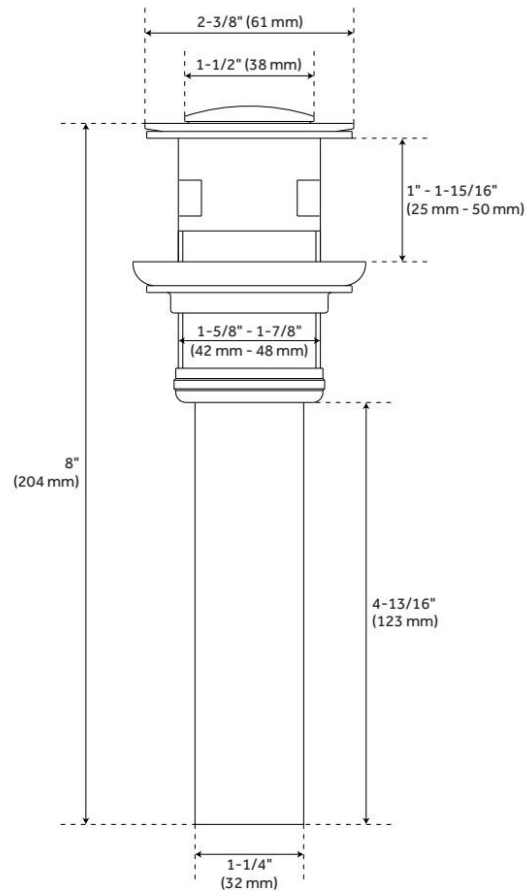


REVISED 5/21/2024

# GUNTHER SINGLE-HOLE BATHROOM FAUCET

SKU: 953078

Code: SHWSCGU100



REVISED 5/21/2024