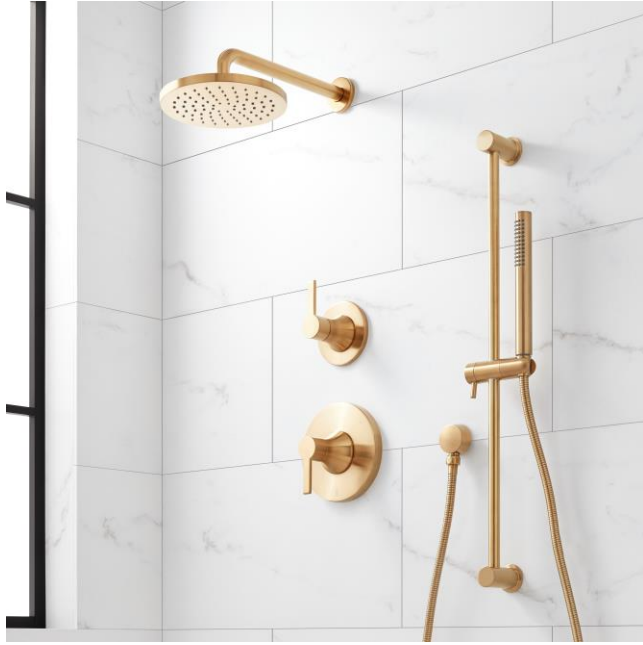


LENTZ PRESSURE BALANCE SHOWER SYSTEM WITH SLIDE BAR AND HAND SHOWER - LEVER HANDLES

SKU: 953088-L

Code: SHLZ8010LH, SHLZLEV, SHLZ9005LH, SHLZTVLEV, SHH1010, SHHS4030G, SHRSB820RG, SHRSA123, SHWE2040, SHSB3040, SH4001, SH6103



FEATURES

- Material: Brass
- Shower Head Swivel: Yes
- Hand Shower Spray: Full
- Hand Shower Flow Rate: 1.8 gpm (6.8 L/min) @ 80 psi
- Connection Type: 1/2" MIP and SWT
- Diverter Outlets: 3
- Cartridge Type: Ceramic Disc

ASME A112.18.1/CSA B125.1, ASME A112.18.2/CSA B125.2, ASSE 1016 Type P, CEC Listed, WaterSense by IAPMO, Massachusetts Accepted, LISTED ID: SH4001, SH6103, SHLZ8010LH*, SHLZ9005LH*, SHLZPBLEV*, SHLZTVLEV*, SHHS4030G*, SHRSB820RG*, SHH1010*, SHWE2040*, SHRSA123*



ADDITIONAL FEATURES

- All dimensions are ($\pm 1/2$ ").
- Metal handle.
- Single function shower head (full spray).
- Easy clean rubber nozzles.
- Brass ball-joint.
- Brass constructed shower arm.
- Water supply elbow:
 - 1/2" Female wall connection.
 - 1/2" Male hose connection.
- Optional pressure balance rough-in valve:
 - Pressure balance valve with integral stops.
 - One-piece cartridge design for ease of maintenance.
 - Back-to-back capability.

REVISED 5/29/2024

8" MODERN ROUND RAINFALL SHOWER HEAD - 1.8 GPM - CHROME

SKU: 948948-18

Code: SHRSB820RG, SH484203, SH485499, SHRSB820RGPB



FEATURES

Material: ABS

Shower Head Swivel: Yes

ASME A112.18.1/CSA B125.1, CEC Listed, WaterSense by IAPMO, Massachusetts Accepted, LISTED ID: SHRSB820RG*



ADDITIONAL FEATURES

- Single function shower head (full spray).
- Easy clean rubber nozzles.
- Brass ball joint.

REVISED 5/29/2024

WALL-MOUNT RAINFALL SHOWER ARM

SKU: 948955

Code: SHRSA123, SHRSA181, SH485514, SHRSA150

FEATURES

Material: Stainless Steel

Connection Type: 1/2" NPT



ASME A112.18.1/CSA B125.1, Massachusetts Accepted, LISTED ID: SHRSA123*, SHRSA181*, SHRSA150*



ADDITIONAL FEATURES

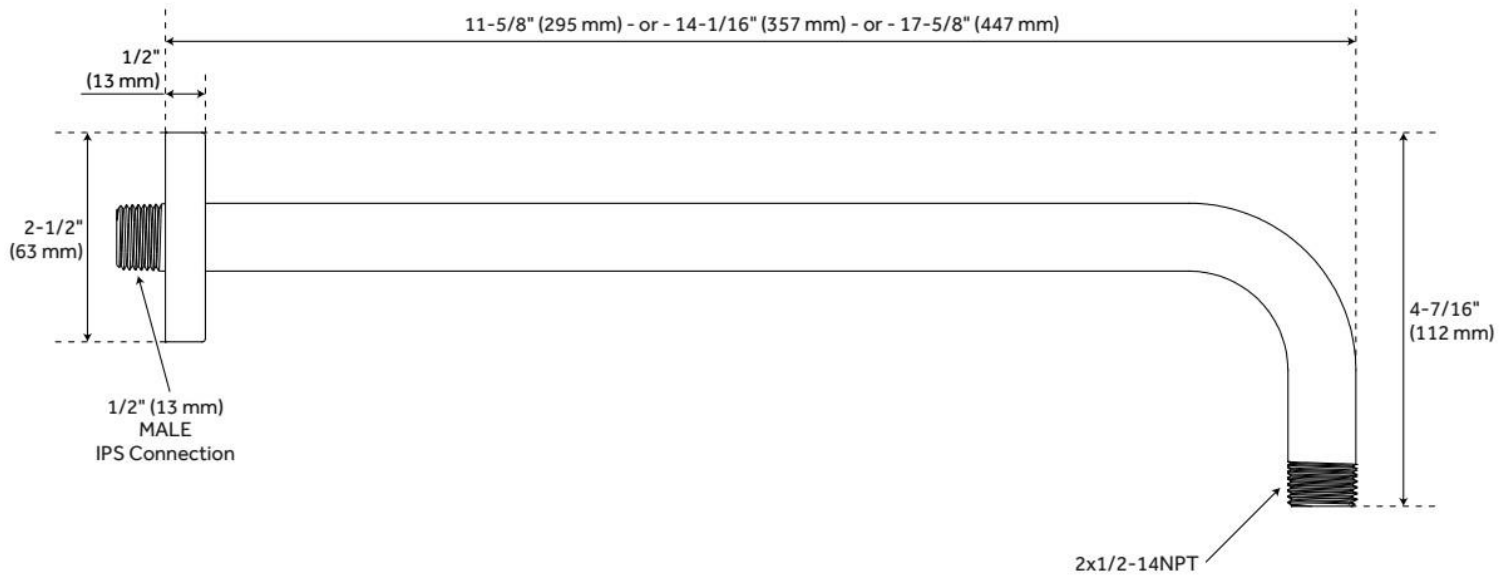
- All dimensions are ($\pm 1/2"$).
- Escutcheon included.

REVISED 5/29/2024

WALL-MOUNT RAINFALL SHOWER ARM

SKU: 948955

Code: SHRSA123, SHRSA181, SH485514, SHRSA150



REVISED 5/29/2024

CONTEMPORARY ROUND WATER SUPPLY ELBOW FOR HAND SHOWER

SKU: 932365

Code: SHWE2040, SH417826, SH484207, SH485502, SHWE2040PB

FEATURES

Material: Brass

Connection Type: 1/2" NPT



ASME A112.18.1/CSA B125.1, LISTED ID: SHWE2040*



ADDITIONAL FEATURES

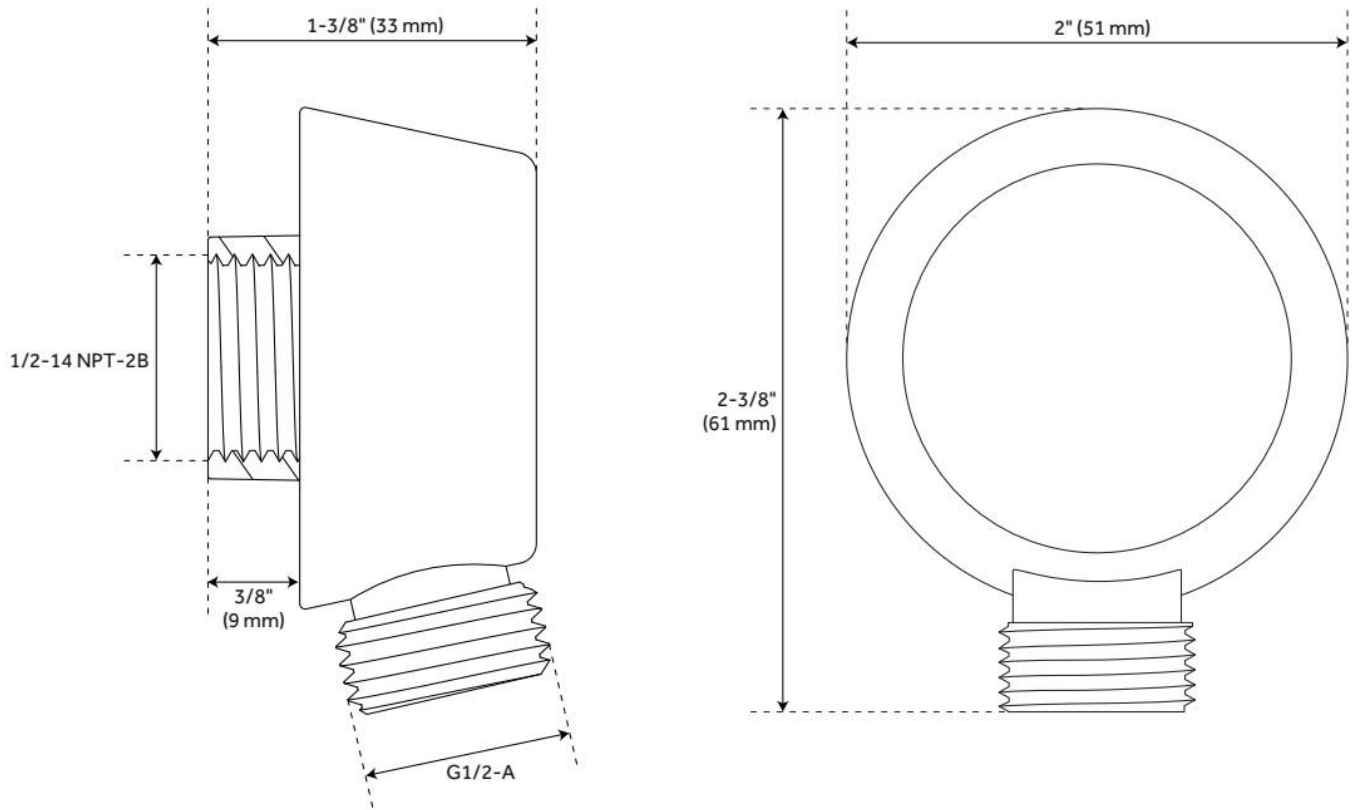
- 1/2" Female wall connection.
- 1/2" Male hose connection.

REVISED 5/29/2024

CONTEMPORARY ROUND WATER SUPPLY ELBOW FOR HAND SHOWER

SKU: 932365

Code: SHWE2040, SH417826, SH484207, SH485502, SHWE2040PB



REVISED 5/29/2024

60" STRETCHABLE METAL HAND SHOWER HOSE

SKU: 948938

Code: SHH1010, SH484205, SH485500, SHH1010PB

FEATURES

Connection Type: 1/2" IPS



ASME A112.18.1/CSA B125.1, Massachusetts Accepted, LISTED ID: SHH1010*



ADDITIONAL FEATURES

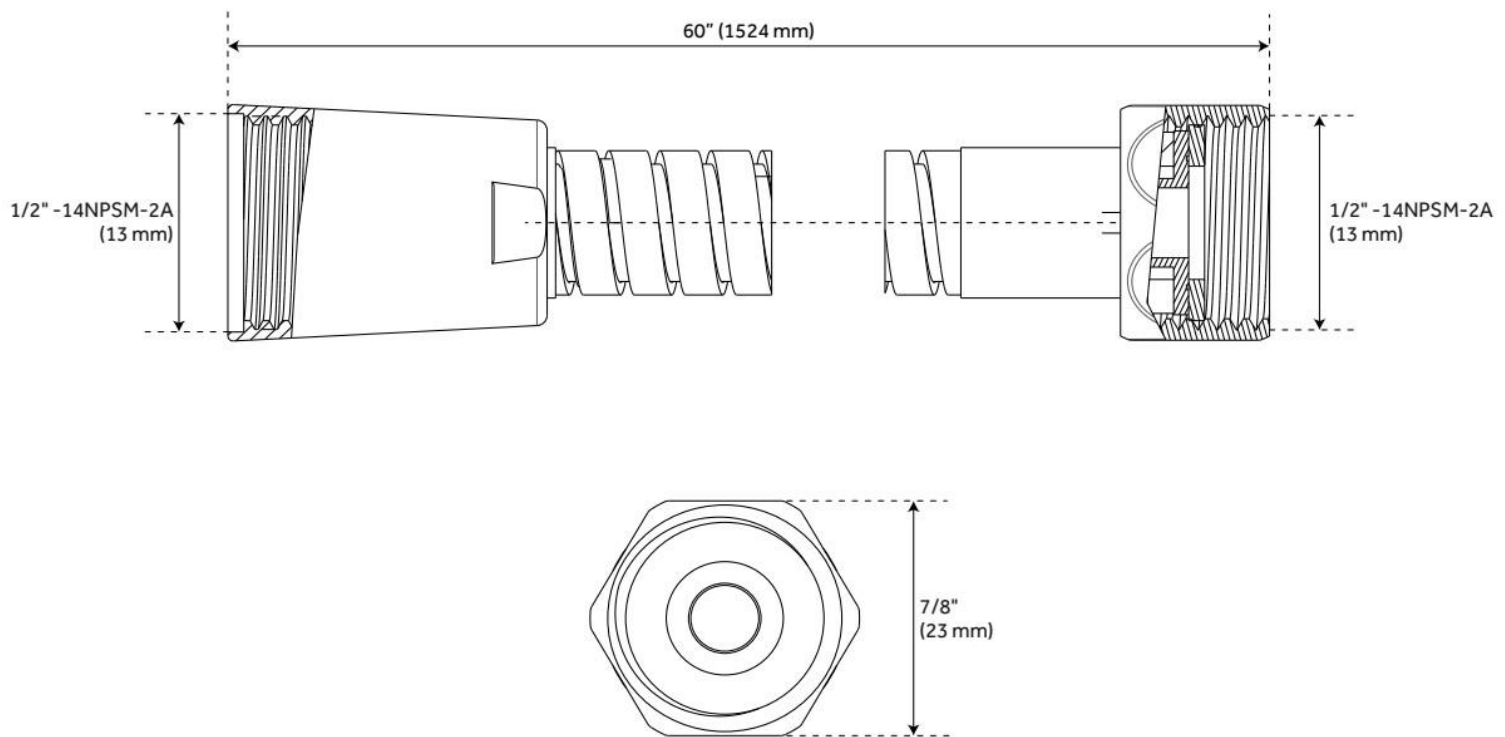
- 60" - 72" stretchable metal shower hose.
- Double spiral construction.
- Metal conical nut.

REVISED 5/23/2024

60" STRETCHABLE METAL HAND SHOWER HOSE

SKU: 948938

Code: SHH1010, SH484205, SH485500, SHH1010PB



REVISED 5/23/2024

CONTEMPORARY TUBULAR HAND SHOWER

SKU: 948923

Code: SHHS4030G, SH488912, SHHS4030GPB



FEATURES

Material: ABS

Hand Shower Spray: Full

Hand Shower Flow Rate: 1.8 gpm (6.8 L/min) @ 80 psi

ASME A112.18.1/CSA B125.1, CEC Listed, WaterSense by IAPMO, Massachusetts Accepted, LISTED ID: SHHS4030G*



ADDITIONAL FEATURES

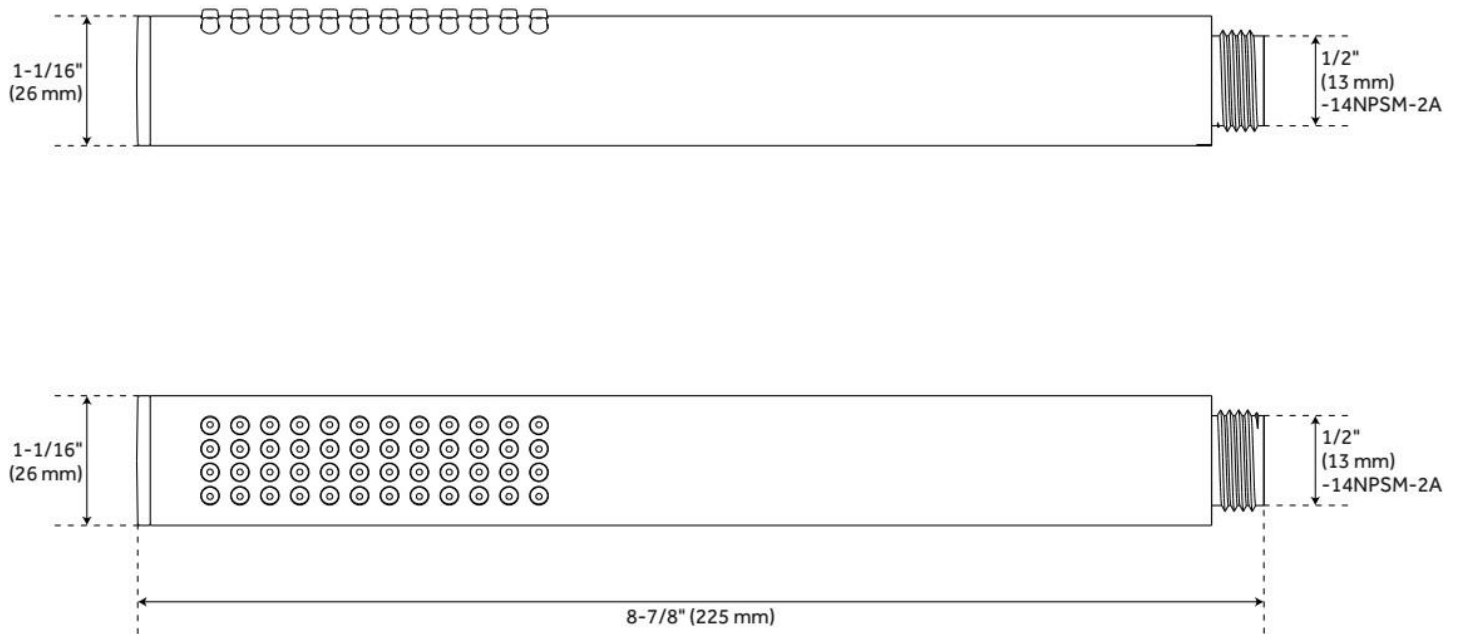
- Single function hand shower.
- Easy-clean spray nozzles.
- Factory installed backflow prevention check valve.
- Hose sold separately.

REVISED 5/29/2024

CONTEMPORARY TUBULAR HAND SHOWER

SKU: 948923

Code: SHHS4030G, SH488912, SHHS4030GPB



REVISED 5/29/2024

CONTEMPORARY SLIDE BAR FOR HAND SHOWER

SKU: 948919

Code: SHSB3040, SH484206, SH485501, SHSB3040PB



FEATURES

Material: Brass

ADDITIONAL FEATURES

- Metal bar and mounting posts.
- Adjustable angle for handshower mount.

REVISED 5/29/2024

3-WAY IN-WALL DIVERTER ROUGH-IN VALVE

SKU: 953056
Code: SH6103, SH6101

FEATURES

Material: Brass



ASME A112.18.1/CSA B125.1, ASME A112.18.2/CSA B125.2, Massachusetts Accepted, LISTED ID: SH6103, SH6101



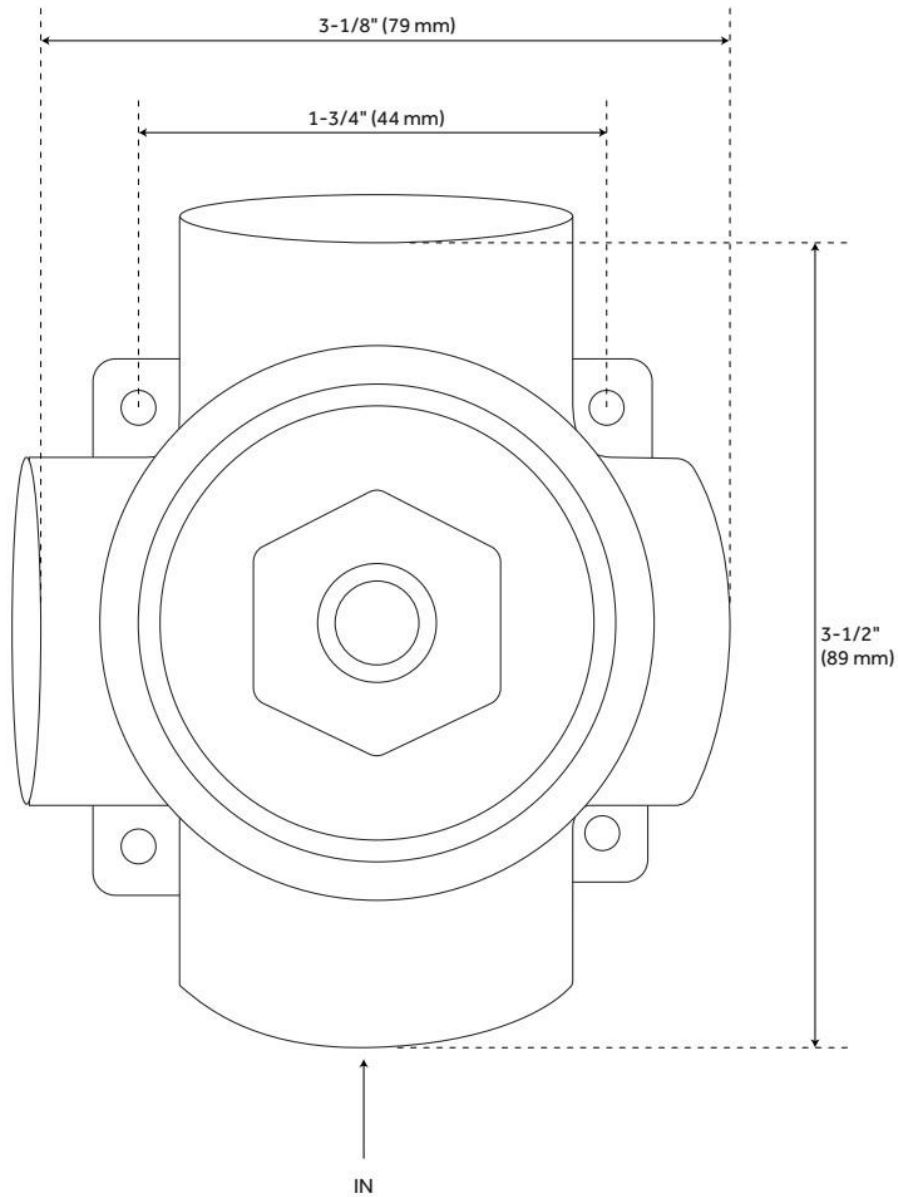
ADDITIONAL FEATURES

- Six total settings allow for shared water flow between outlets, giving you the ability to use two functions at once.
- Ceramic cartridge.
- Available Single-Function Diverter Valve Cartridge restricts water flow to one outlet at a time.
- Not intended as a shut off valve.
- For installations only requiring 2 outlets, the 3rd outlet may be looped into one of the existing pipes.
- Compatible with Boca Raton, Carraway, Edenton, Greyfield, Hibiscus, Key West, Lentz, Pendleton, Pinecrest, Provincetown, Rigi, St. Martin and Vilamonte Diverter Trims.

REVISED 5/23/2024

3-WAY IN-WALL DIVERTER ROUGH-IN VALVE

SKU: 953056
Code: SH6103, SH6101



REVISED 5/23/2024

PRESSURE BALANCE TUB & SHOWER ROUGH-IN VALVE

SKU: 446520
Code: SH4001



FEATURES

Material: Bronze
Flow Rate: 6.34 gpm (24.0 L/min) @ 80 psi
Connection Type: 1/2" MIP and SWT
Cartridge Type: Ceramic Disc

IAPMO, ASME A112.18.1/CSA B125.1, ASSE 1016 Type P, Massachusetts Accepted, LISTED ID: SH4001



ADDITIONAL FEATURES

- Compatible with Beasley, Berwyn, Boca Raton, Drea, Edenton, Elita, Greyfield, Gunther, Hibiscus, Key West, Lentz, Lexia, Pendleton, Pinecrest, Provincetown, Rigi, Sefina, Vassor and Vilamonte Pressure Balance Trims.
- Pressure balance valve with integral stops.
- One-piece cartridge design for ease of maintenance.
- Back-to-back capability.
- Ceramic disc valve cartridge.
- Cast bronze valve body.
- Adjustable temperature limit stop.
- Quick remove plaster guard.
- Easy mounting brackets.
- Important Note: Pressure Balancing Valves, regardless of brand, are generally not recommended for use with tankless (on-demand) water heaters. Pressure Balancing Valves adjust to the lowest incoming water

REVISED 5/28/2024