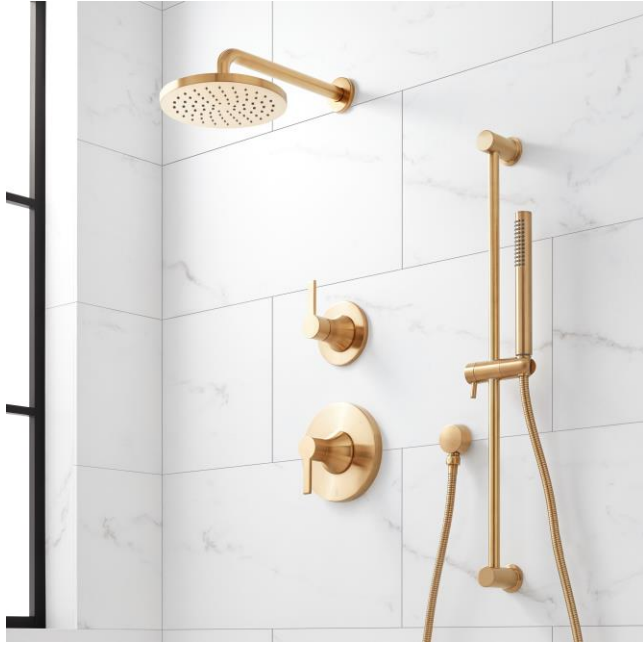


# LENTZ PRESSURE BALANCE SHOWER SYSTEM WITH SLIDE BAR AND HAND SHOWER - LEVER HANDLES

SKU: 953088-L

Code: SHLZ8010LH, SHLZLEV, SHLZ9005LH, SHLZTVLEV, SHH1010, SHHS4030G, SHRSB820RG, SHRSA123, SHWE2040, SHSB3040, SH4001, SH6103



## FEATURES

- Features: Hand Shower Included
- Material: Brass
- Assembly Required: No
- Shape: Round
- Handle Type: Lever
- Shower Head Installation Type: Wall
- Shower Head Diameter: 8"
- Shower Head Material: ABS
- Shower Arm Included: Yes
- Shower Arm Extension: 12"
- Shower Head IPS: 1/2"
- Shower Head Swivel: Yes
- Hand Shower Hose Length: 60"
- Hand Shower Flow Rate: 1.8 gpm (6.8 L/min) @ 80 psi
- Water Connection Included: Yes
- Diverter Included: Yes
- Diverter Outlets: 3
- Rainfall Shower Head Flow Rate: 1.8 gpm (6.8 L/min) @ 80 psi

ASME A112.18.1/CSA B125.1

ASME A112.18.2/CSA B125.2

ASSE 1016 Type P

CEC Listed

WaterSense by IAPMO

Massachusetts Accepted



REVISED 4/16/2024

# LENTZ PRESSURE BALANCE SHOWER SYSTEM WITH SLIDE BAR AND HAND SHOWER - LEVER HANDLES

SKU: 953088-L

Code: SHLZ8010LH, SHLZLEV, SHLZ9005LH, SHLZTVLEV, SHH1010, SHHS4030G, SHRSB820RG, SHRSA123, SHWE2040, SHSB3040, SH4001, SH6103

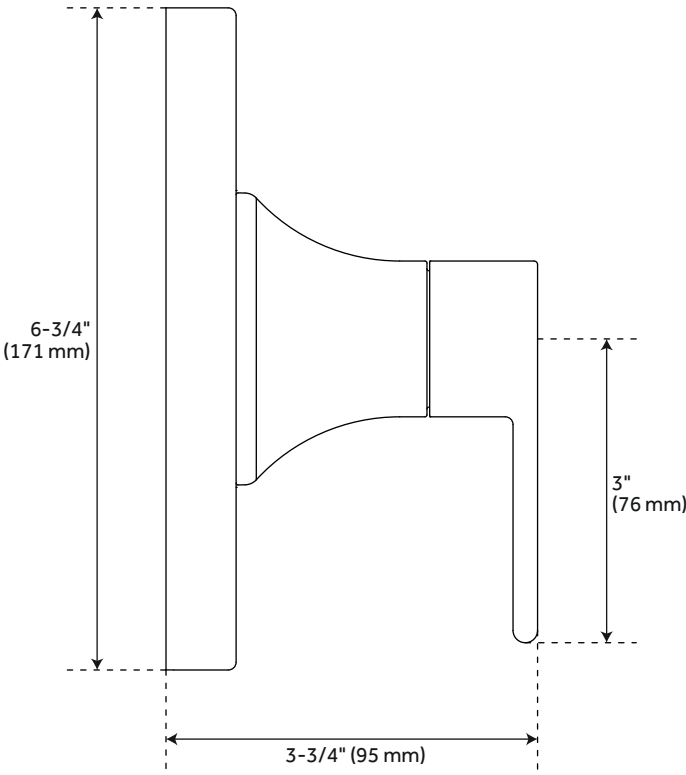
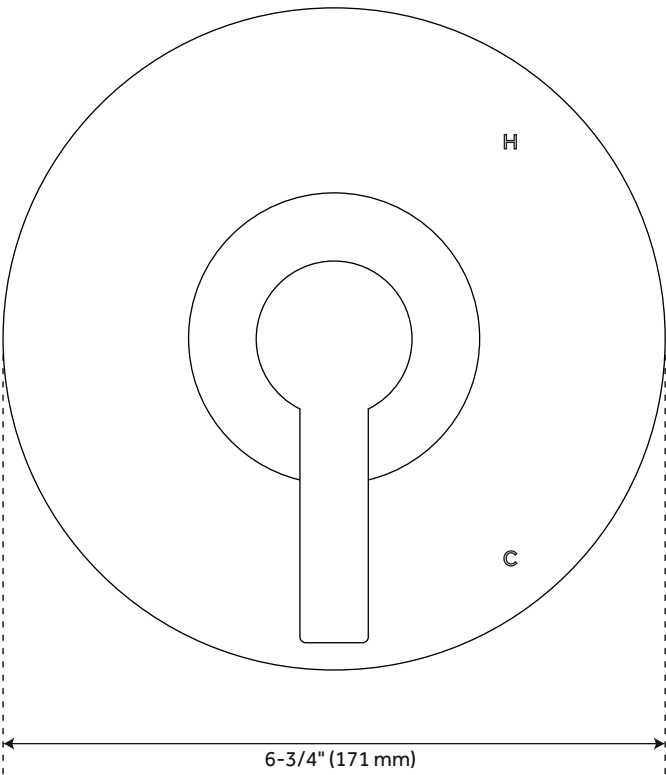


## ADDITIONAL FEATURES

- All dimensions are ( $\pm 1/2$ ").
- Metal handle.
- Single function shower head (full spray).
- Easy clean rubber nozzles.
- Brass ball-joint.
- Brass constructed shower arm.
- Water supply elbow:
  - 1/2" Female wall connection.
  - 1/2" Male hose connection.
- Optional pressure balance rough-in valve:
  - Pressure balance valve with integral stops.
  - One-piece cartridge design for ease of maintenance.
  - Back-to-back capability.
  - Ceramic disc valve cartridge.
  - Cast bronze valve body.
  - Adjustable temperature limit stop.
  - Quick remove plaster guard.
  - Easy mounting brackets.
- Optional diverter rough-in valve:
  - Six total settings allow for shared water flow between outlets, giving you the ability to use two functions at once.
  - Ceramic cartridge.
  - Available Single-Function Diverter Valve Cartridge restricts water flow to one outlet at a time.
  - For installations only requiring 2 outlets, the 3rd outlet may be looped into one of the existing pipes.
  - Brass valve body.

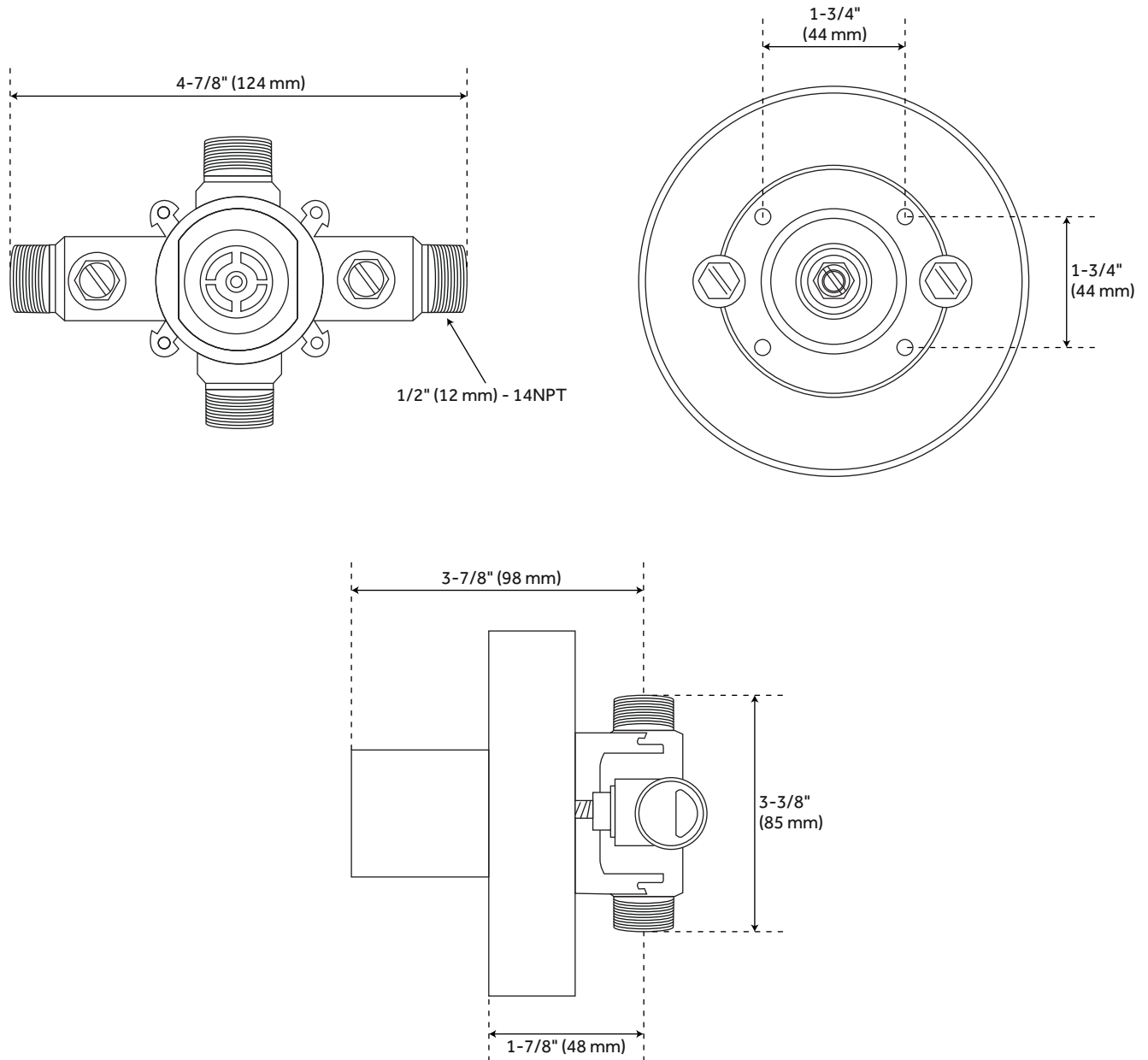
REVISED 4/16/2024

# LENTZ PRESSURE BALANCE SHOWER VALVE TRIM



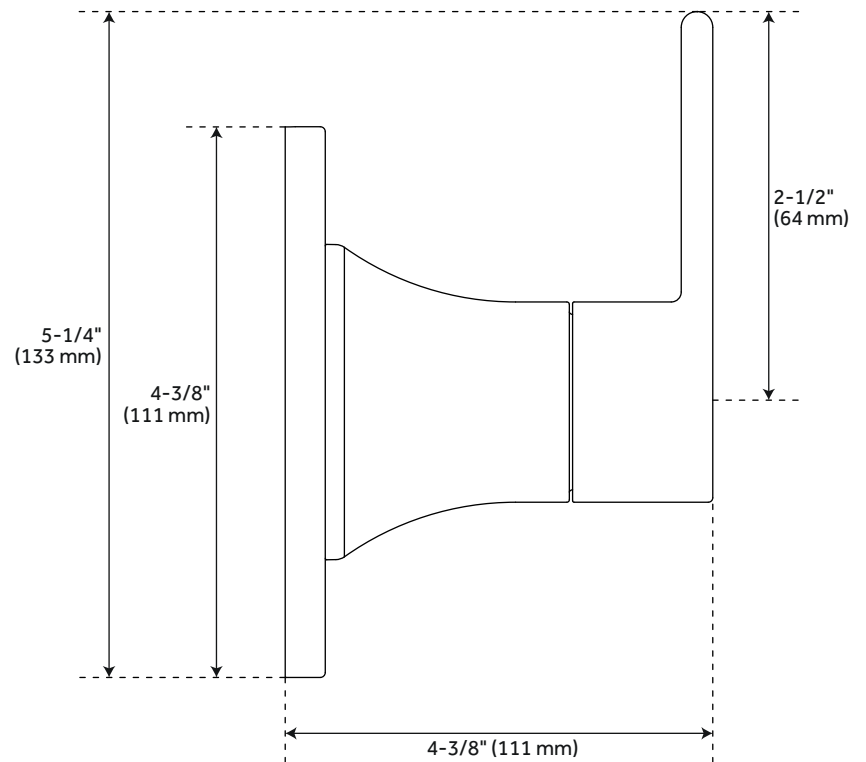
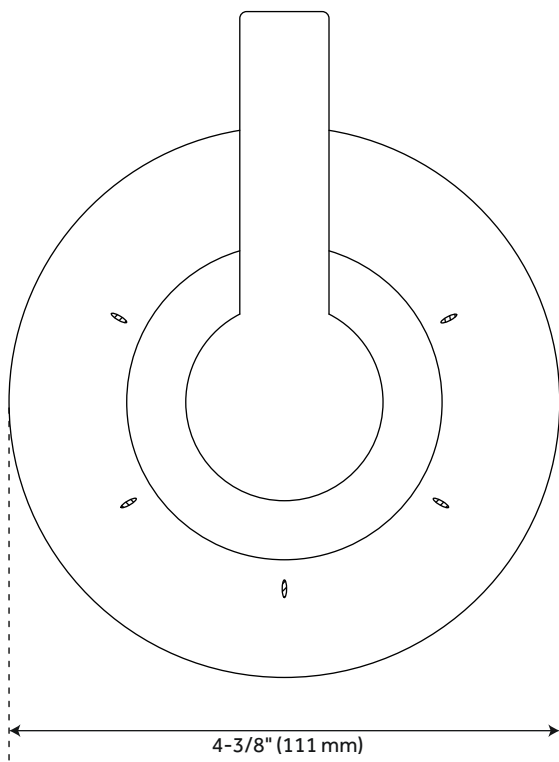
All dimensions and specifications are nominal and may vary. Use actual products for accuracy in critical situations.

# LENTZ OPTIONAL PRESSURE BALANCE SHOWER ROUGH-IN VALVE



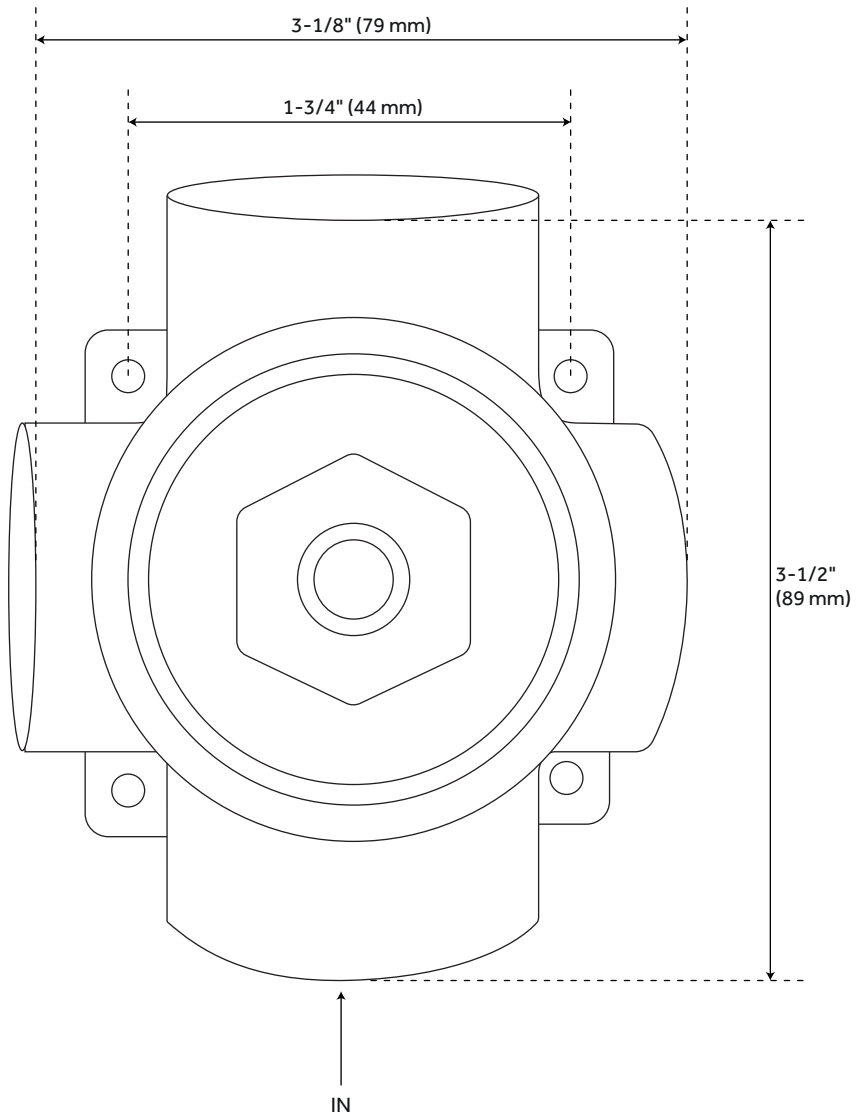
All dimensions and specifications are nominal and may vary. Use actual products for accuracy in critical situations.

# LENTZ 3-WAY IN-WALL DIVERTER VALVE TRIM



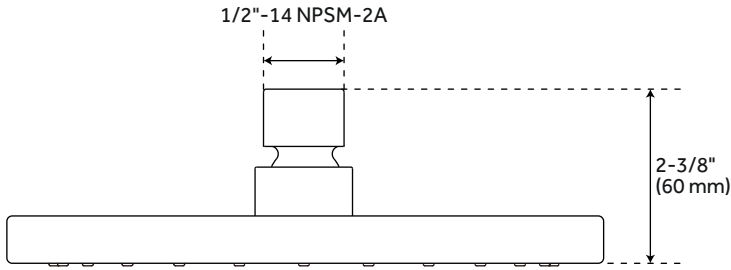
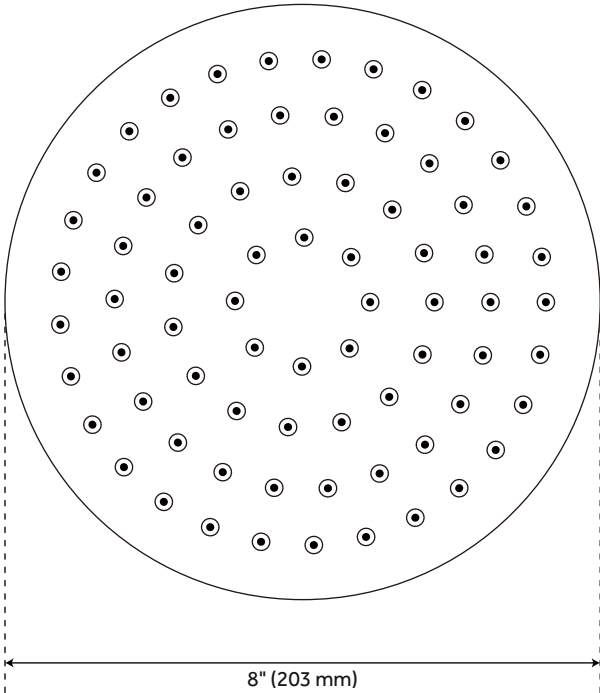
All dimensions and specifications are nominal and may vary. Use actual products for accuracy in critical situations.

# LENTZ OPTIONAL DIVERTER ROUGH-IN VALVE



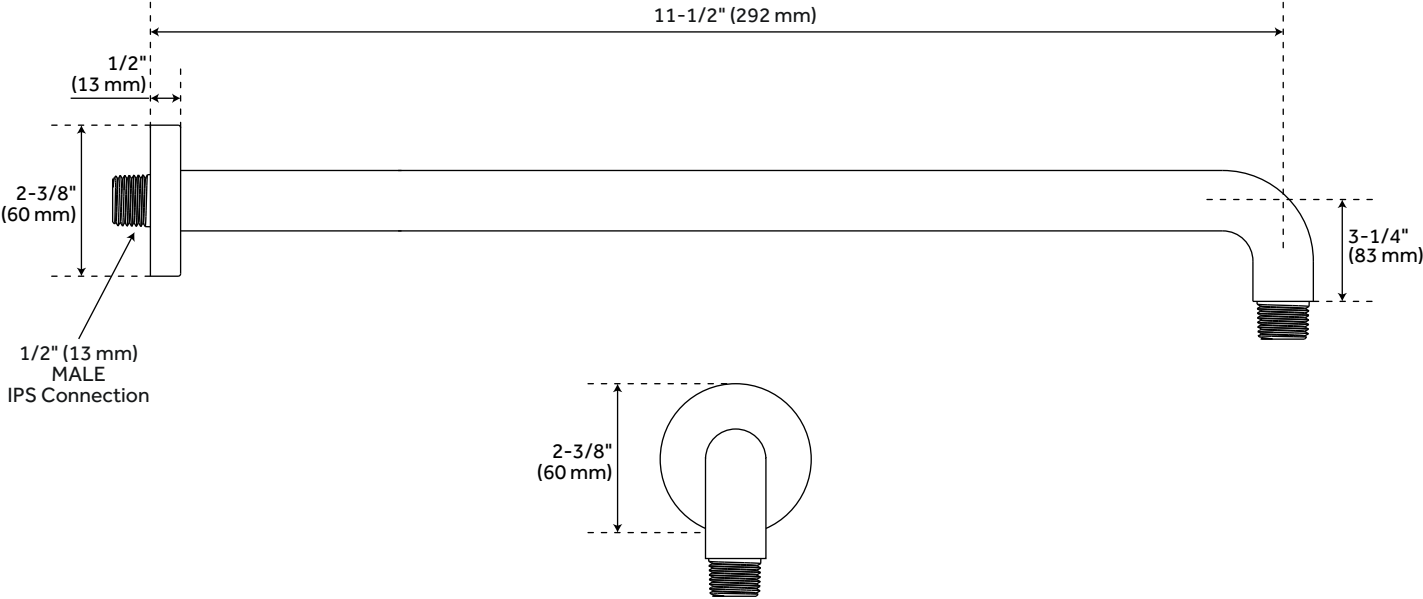
All dimensions and specifications are nominal and may vary. Use actual products for accuracy in critical situations.

# LENTZ RAINFALL SHOWER HEAD



All dimensions and specifications are nominal and may vary. Use actual products for accuracy in critical situations.

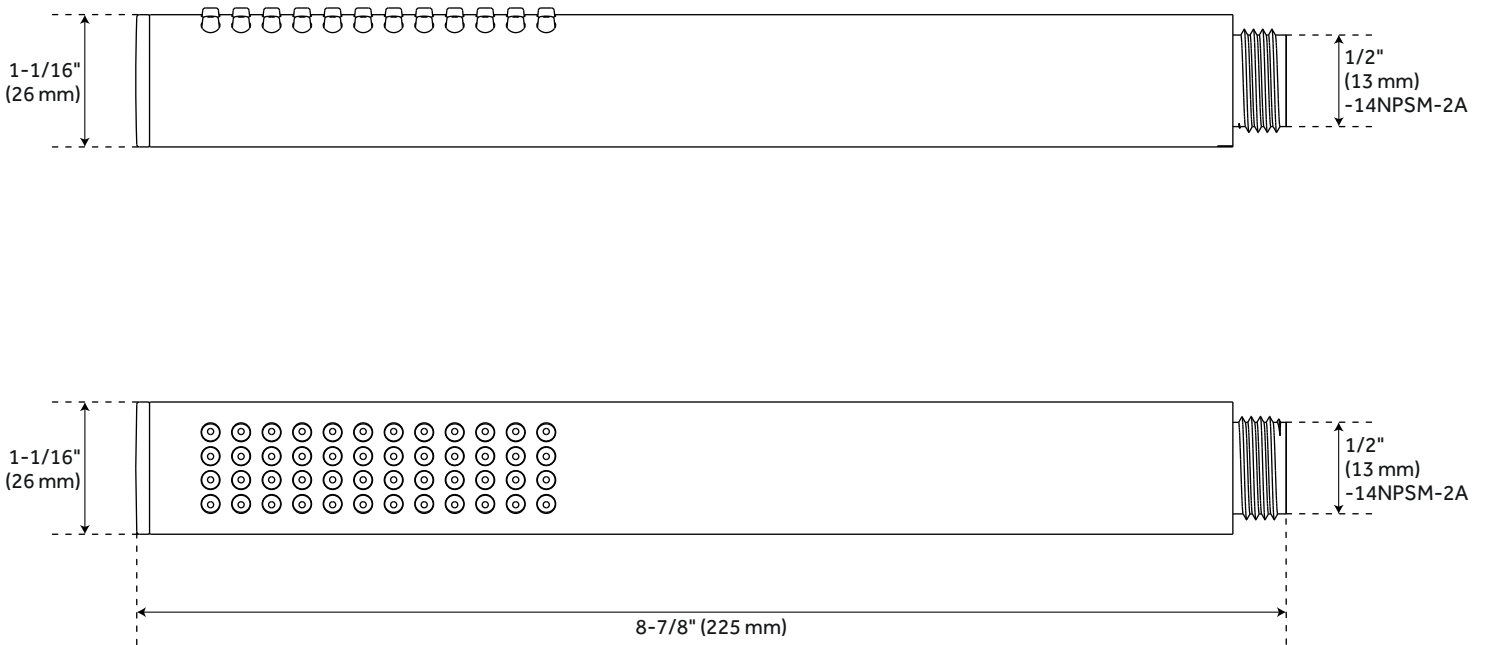
# WALL-MOUNT SHOWER ARM



All dimensions and specifications are nominal and may vary. Use actual products for accuracy in critical situations.

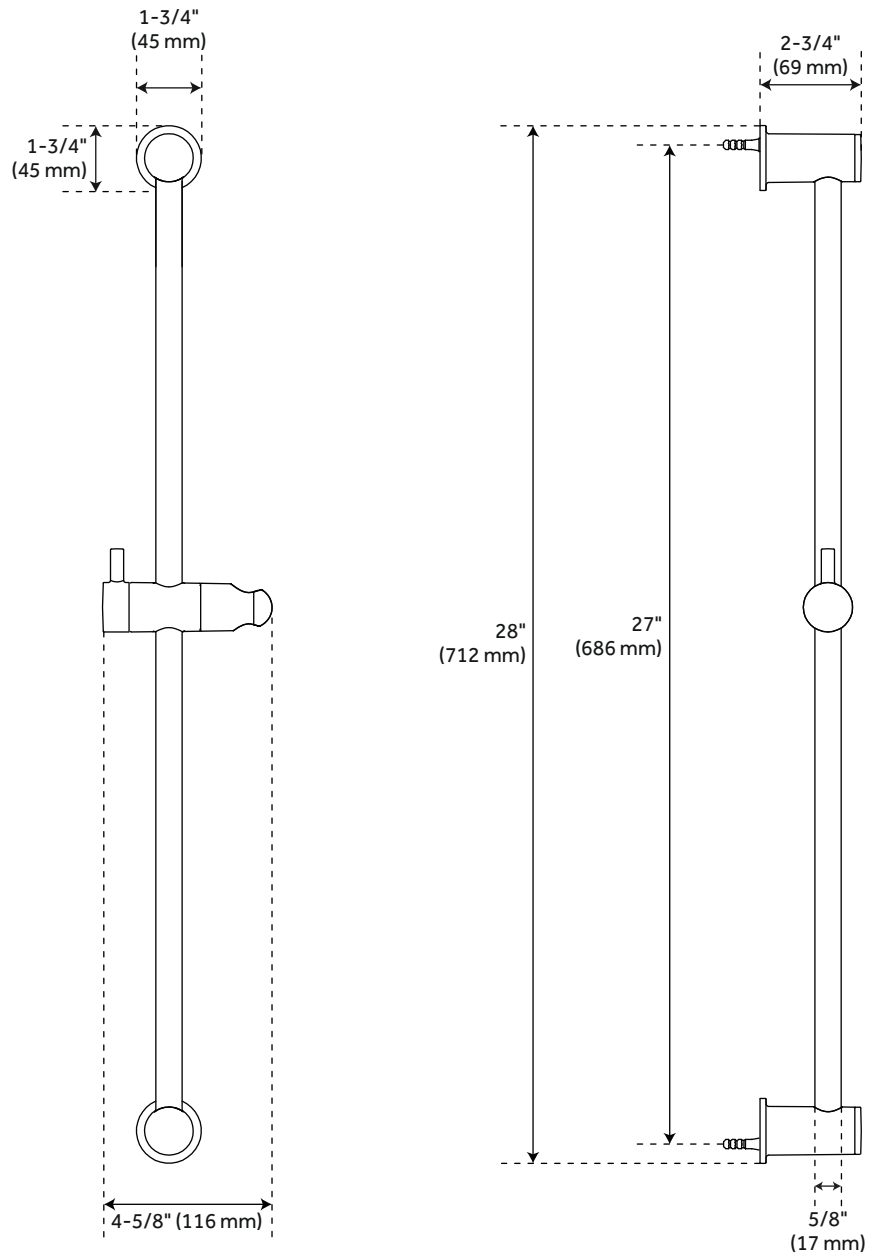


# LENTZ HAND SHOWER



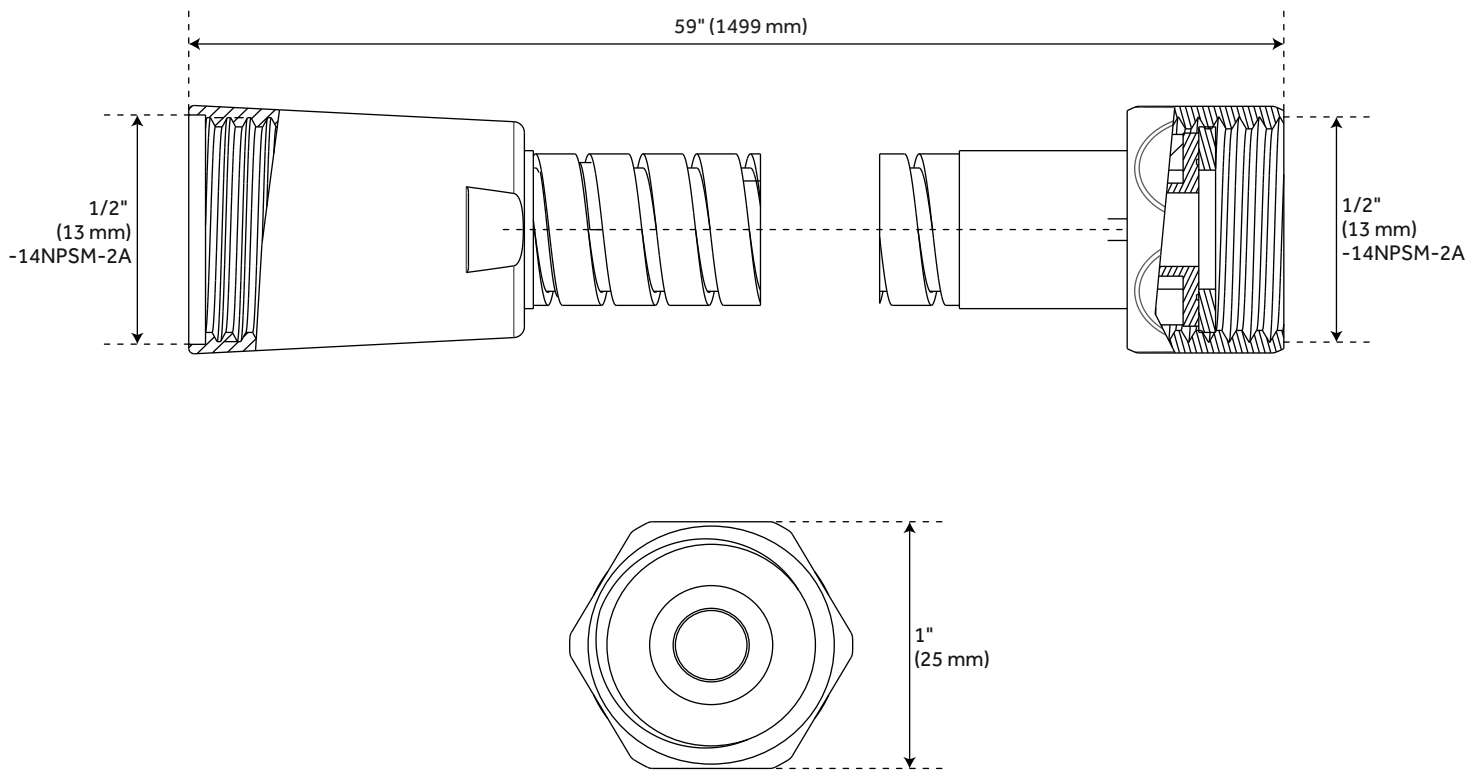
All dimensions and specifications are nominal and may vary. Use actual products for accuracy in critical situations.

# LENTZ SLIDE BAR



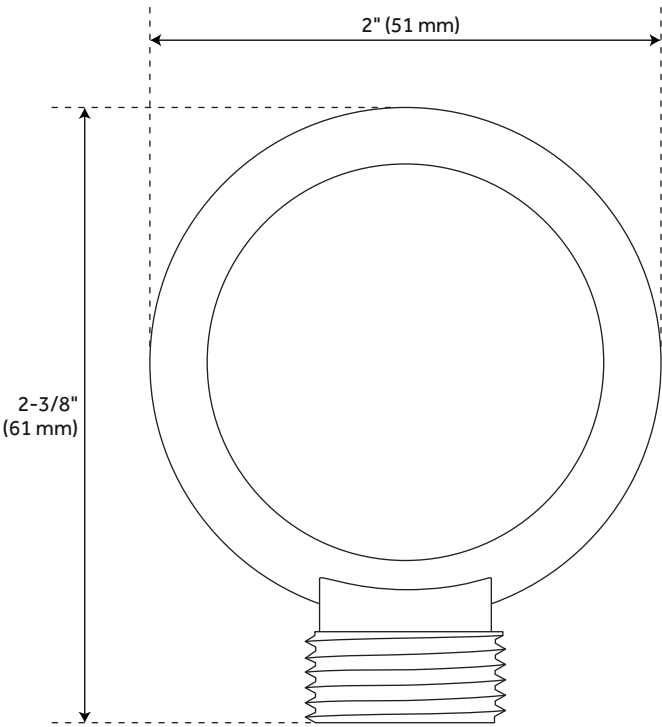
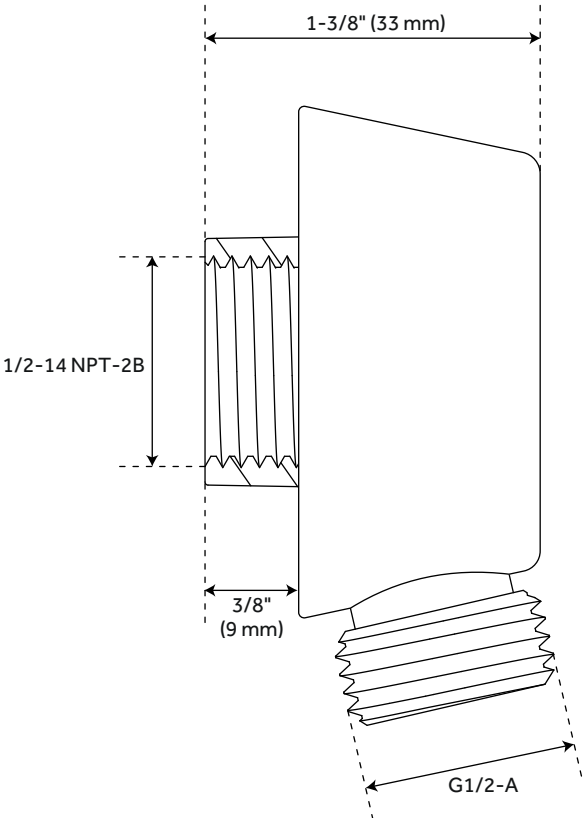
All dimensions and specifications are nominal and may vary. Use actual products for accuracy in critical situations.

# LENTZ HAND SHOWER HOSE



All dimensions and specifications are nominal and may vary. Use actual products for accuracy in critical situations.

# LENTZ WATER SUPPLY ELBOW



All dimensions and specifications are nominal and may vary. Use actual products for accuracy in critical situations.