

# SHOWER CONVERSION KIT

SKU: 953099

## BEFORE YOU BEGIN

We recommend consulting a professional if you are unfamiliar with installing plumbing fixtures. Signature Hardware accepts no liability for any damage to the plumbing, floor, walls, tub, or for personal injury during installation.

Observe all local plumbing and building codes.

Unpack and inspect the item for shipping damage. If any damage is found, contact our Customer Relations team at 1-855-715-1800.

## ADDITIONAL QUESTIONS?

Still need help? Check out our Help Center at [www.signaturehardware.com](http://www.signaturehardware.com) for product and warranty information, or contact us through live chat or by emailing [support@signaturehardware.com](mailto:support@signaturehardware.com).

## GETTING STARTED

- Ensure that you have gathered all of the required materials that are needed for the installation.
- For the following instructions, it is assumed that the tub faucet is already in place and prepared for installation of the shower conversion kit

## TOOLS AND MATERIALS:



Plumber's Tape\*



Phillips Screwdriver\*



Thread Sealant\*



Adjustable Wrench\*



Hex Wrench



Tape Measure



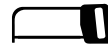
Drill



Level



Hammer



Hacksaw



Pencil



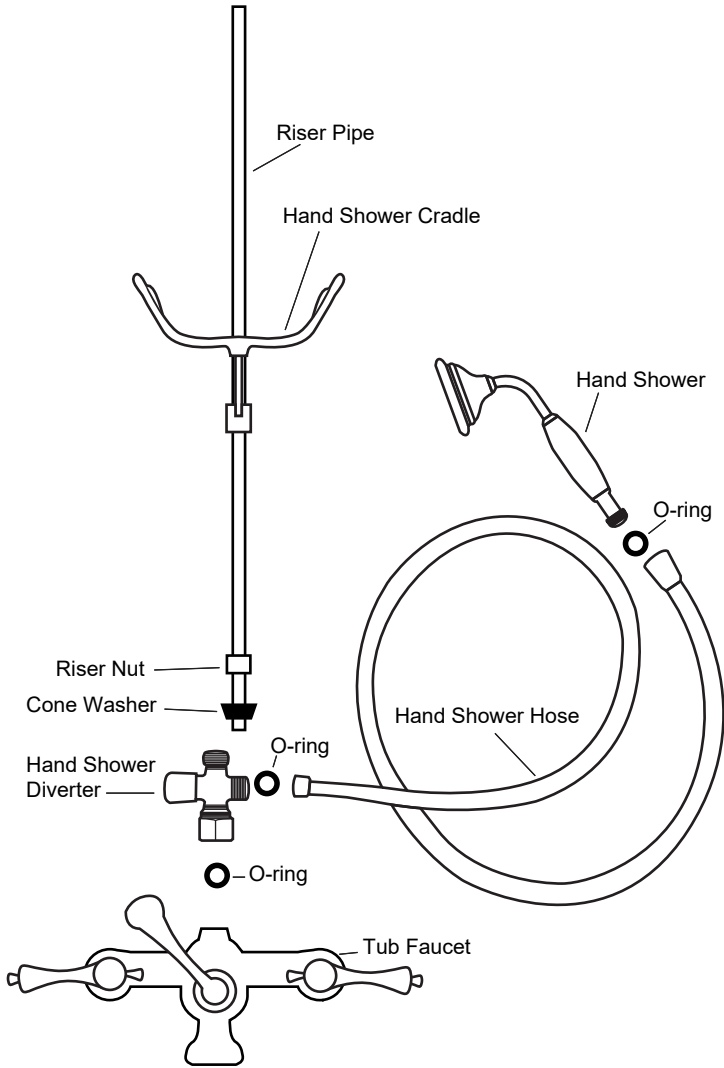
1/4" Drill Bit

Not Included\*

REVISED 11/29/2022

# SHOWER CONVERSION KIT

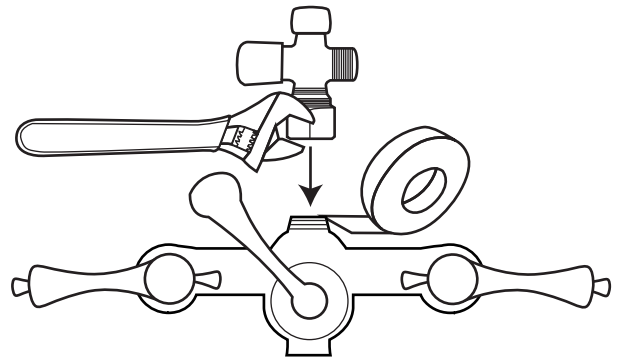
SKU: 953099



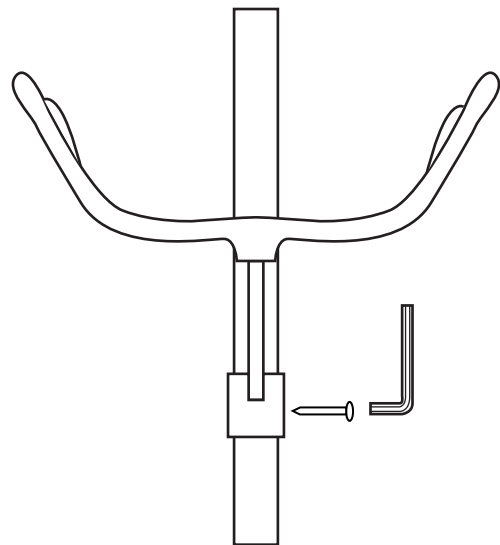
## INSTALLATION

1. Insert the provided rubber O-ring into the base of the hand shower diverter, and attach the diverter to the tub faucet as shown. Apply a bit of thread sealant or plumber's tape to the threads before tightening. Use an adjustable wrench to tighten firmly.

Tip: Wrap the nut with a thin wash cloth while tightening to prevent the wrench from scratching the plated finish.



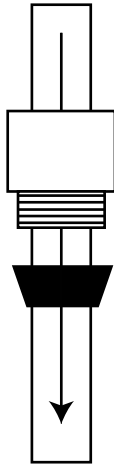
2. Slide the hand shower cradle onto the lower riser pipe. Position the cradle in its desired location, then tighten the set screw on the cradle to secure using the provided hex wrench.



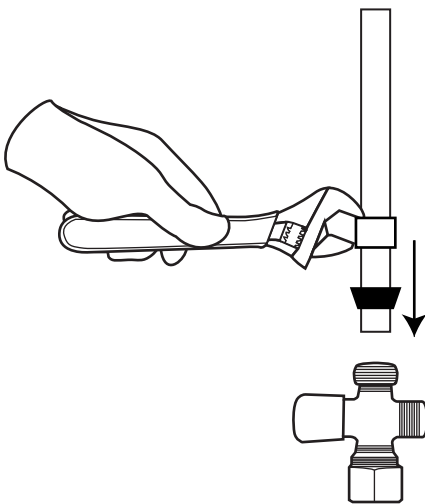
# SHOWER CONVERSION KIT

SKU: 953099

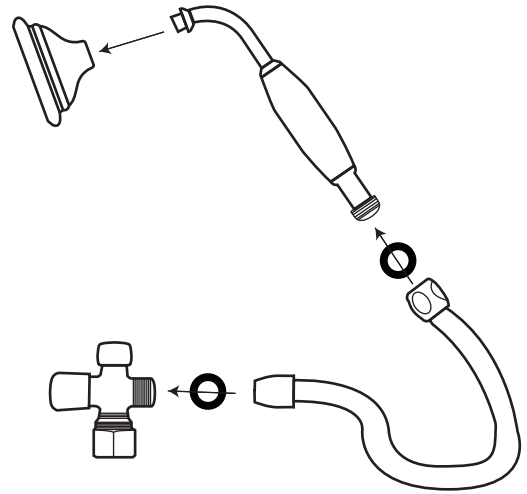
3. Slide the riser nut onto the lower riser pipe, with the threaded side facing down. Slide the rubber cone washer onto the lower riser pipe below the riser nut, with the beveled side of the washer facing down as shown.



4. Insert the lower riser pipe into the top of the hand shower diverter and secure it by tightening the riser nut. If needed, riser pipe can be cut to size on non-threaded end.

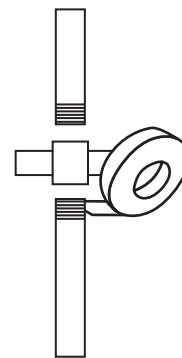


5. Attach the handheld shower head to its handle, then use the provided hose to connect the hand shower to the diverter outlet, as shown. Insert one of the provided rubber O-rings into each end of the hose before tightening.



6. Insert the upper riser pipe through the mounting hole located on the shower curtain rod. Attach the upper riser pipe by threading it into the lower riser pipe. Apply a bit of thread sealant or plumber's tape to the threads before tightening.

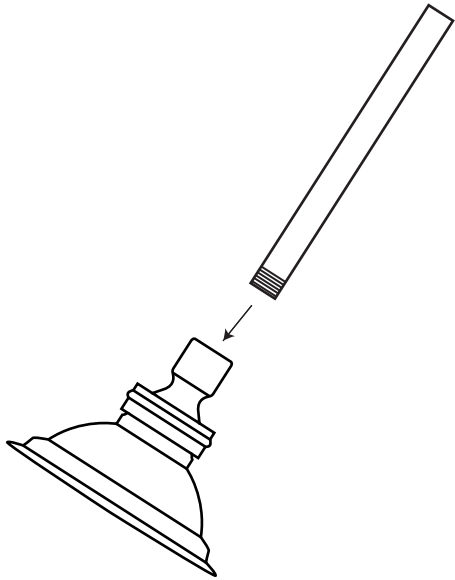
Tip: If your shower curtain rod does not contain a mounting hole for your riser pipe, secure the riser to the rod using a double-ringlet coupler (sold separately).



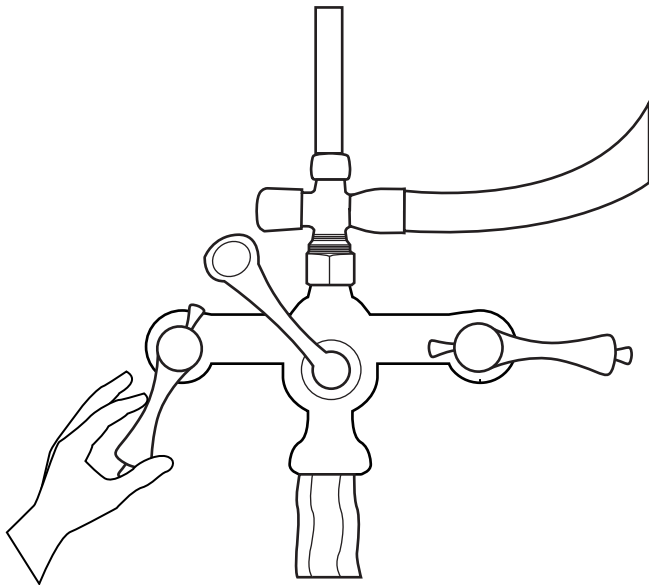
# SHOWER CONVERSION KIT

SKU: 953099

7. Complete the installation by installing the shower head onto the upper riser pipe.

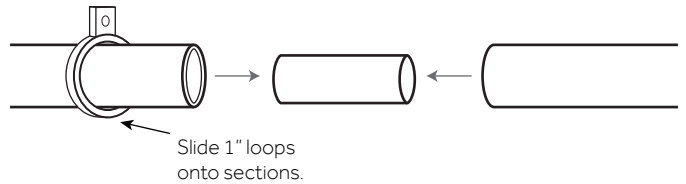


8. Once installation is complete, turn the faucet on and divert water to the shower components. Check to ensure that there are no leaks from any of the connections, and that all functions are working properly.

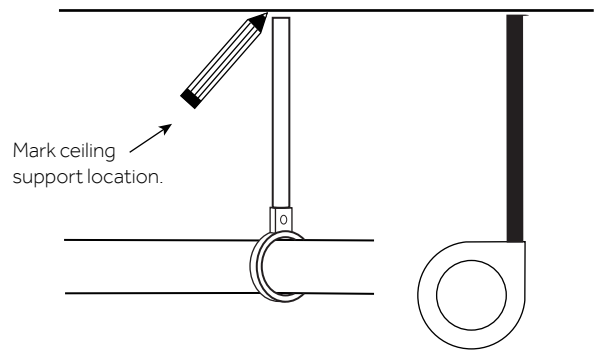


## SHOWER CURTAIN INSTALLATION

1. Lay the rod sections on the floor. Slide the 1" loops onto the sections and assemble the rod with the connector pieces.



2. Measure the distance from the ceiling to the desired mounting location. If needed, trim the ceiling supports to the proper length with a hacksaw.

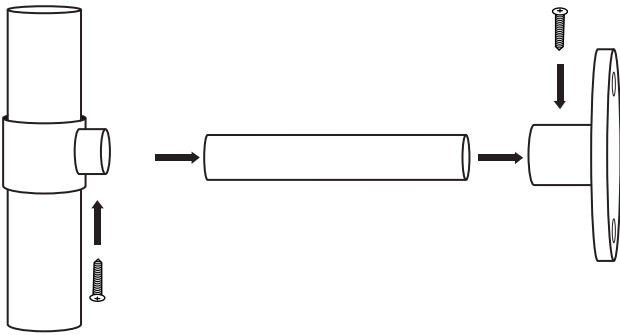


# SHOWER CONVERSION KIT

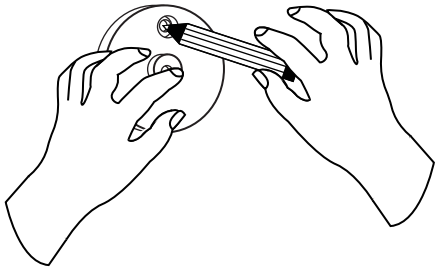
SKU: 953099

3. Insert the ceiling support rods into the 1" loops. Attach the ceiling brackets to the other end and tighten the set screws to secure.

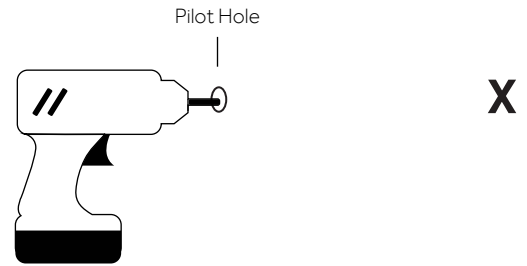
**Note:** Position the loops around the rod so that the weight of the rod will be evenly distributed.



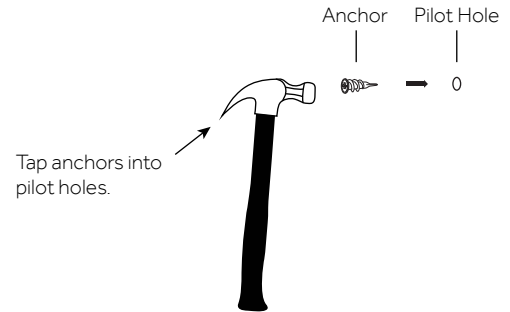
4. Hold the shower ring in place and mark the placement of the mounting holes.



5. Drill pilot holes for the ceiling anchors.



6. Gently tap the anchors into the pilot holes with a hammer.



7. Attach the ceiling brackets to the anchors with the mounting hardware provided.

