

# 60" RAKSHA DOUBLE-WALL HAMMERED COPPER SOAKING TUB

SKU: 953284

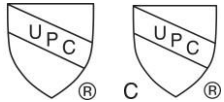
Code: SH484137, SH484212, SH484213, SH484214, SH484215, SH484216, SH484217, SH484218, SH484219, SH484220



## FEATURES

Tub Material: Copper  
Product Finish: Antique Copper Patina  
Shape: Oval  
Tub Drain Placement: Center  
Drain Included: Optional  
Water Depth to Overflow: 24-3/8"  
Water Capacity (Gallons): 71  
Built-In Adjusters: No  
Tub Weight Uncrated (lbs): 310  
Optional Accessory: 428473

CSA B45.12/IAPMO Z402, LISTED ID: 510720, 510721, 510724, 510729



## ADDITIONAL FEATURES

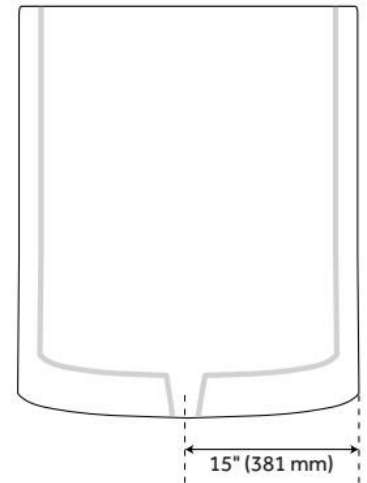
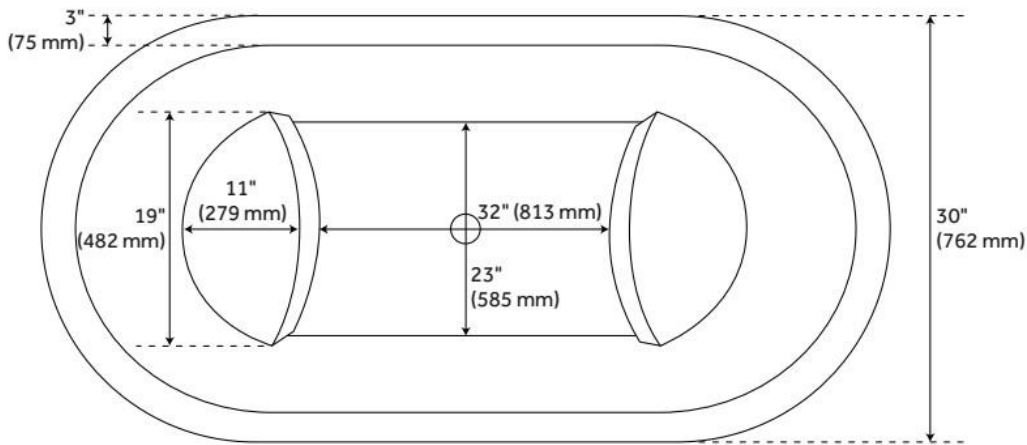
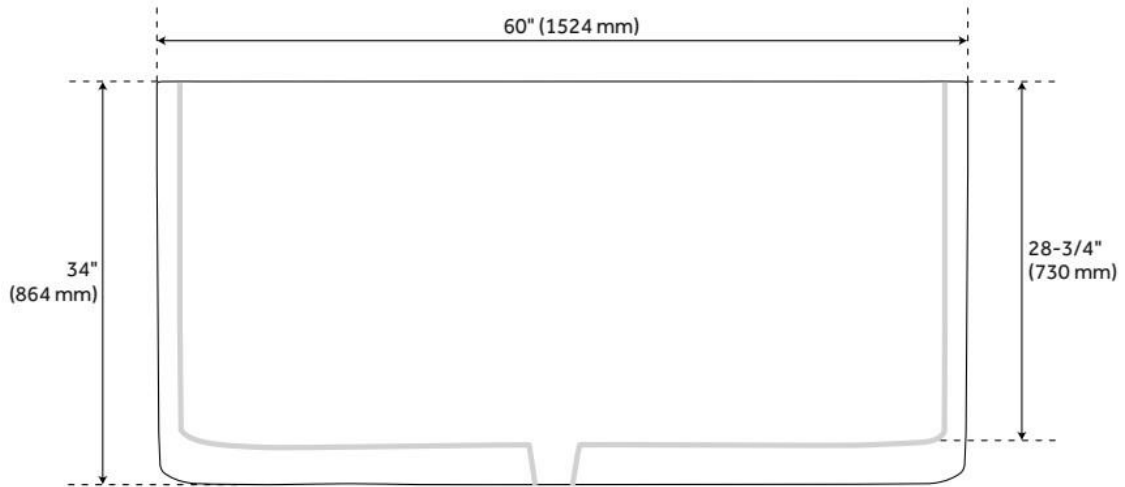
|||\_list Made of 14-gauge copper. | Hand-polished finish. | Patina applied using French hot process, so color is ingrained in the copper. | Tubs are handmade and therefore unique. Expect slight variations in finish and dimensions ( $\pm 1$ " ). | Requires wall- or floor-mount tub filler. | Overflow drain includes a Standard overflow which remains open to allow water into the drain. | Insulation option: increases heat retention and prevents condensation due to water and air temperature fluctuations. | To keep the tub in premium condition, it is recommended to not use anything abrasive for bathing or cleaning, including products like Epsom salts, bristle brushes, and harsh soaps. | Optional Quick Connect Drop-In Drain Kit Includes: ||\_list Floor Plate, 1-1/2" PVC Pipe, 2" x 1-1/2" Trap Adapters, 1 Brass Threaded, 1 Brass Unthreaded Tailpiece and Plug. | Installs above your subfloor, but underneath your cement floor or tile, so you do not need access below the fixture. \_list |||

REVISED 6/26/2024

# 60" RAKSHA DOUBLE-WALL HAMMERED COPPER SOAKING TUB

SKU: 953284

Code: SH484137, SH484212, SH484213, SH484214, SH484215, SH484216, SH484217, SH484218, SH484219, SH484220



REVISED 6/26/2024