

GUNTHER PRESSURE BALANCE SHOWER SET WITH SLIDE BAR AND HAND SHOWER

SKU: 953361

Code: SHGU8010, SH4001, SHRSA120, SHRSB820RG, SHHS4150G, SHH1010, SHWE2040, SHSB3040, SHGU9005, SH6103, SHRSA123, SHHS4030G



FEATURES

Material: Brass
Shower Head Swivel: Yes
Hand Shower Spray: Full
Hand Shower Flow Rate: 1.8 gpm (6.8 L/min) @ 80 psi
Connection Type: 1/2" MIP and SWT
Diverter Outlets: 3
Cartridge Type: Ceramic Disc

ASME A112.18.1/CSA B125.1, ASME A112.18.2/CSA B125.2, ASSE 1016 Type P, CEC Listed, WaterSense by IAPMO, Massachusetts Accepted, LISTED ID: SH4001, SH6103, SHRSA120xy, SHH1010*, SHRSB820RG*, SHWE2040*, SHGU8010XX, SHGU9005XX, SHHS4030G*, SHRSA123*



ADDITIONAL FEATURES

- All dimensions are ($\pm 1/2$ ").
- Metal handles.
- Solid brass shower arm.
- Single function shower head with easy-clean silicone nozzles.
- Single function hand shower.
- 60" - 72" stretchable metal shower hose.
- Pressure Balanced rough-in valves:
 - Pressure balance valve features a one-piece cartridge design for ease of maintenance, back-to-back capability, a ceramic disc cartridge, cast bronze valve body, adjustable temperature limit stop, a quick remove plaster guard, easy mounting brackets and integral stops.
 - Diverter valve features a ceramic disc cartridge and brass valve body. An available Single-Function Diverter Valve Cartridge restricts water flow to one outlet at a time.

REVISED 6/3/2024

GUNTHER PRESSURE BALANCE SHOWER VALVE TRIM

SKU: 953081
Code: SHGU8010



FEATURES

Required for Installation: Rough-in valve: SH4001

ASME A112.18.1/CSA B125.1, ASSE 1016 Type P, Massachusetts Accepted, LISTED ID: SH4001, SHGU8010XX



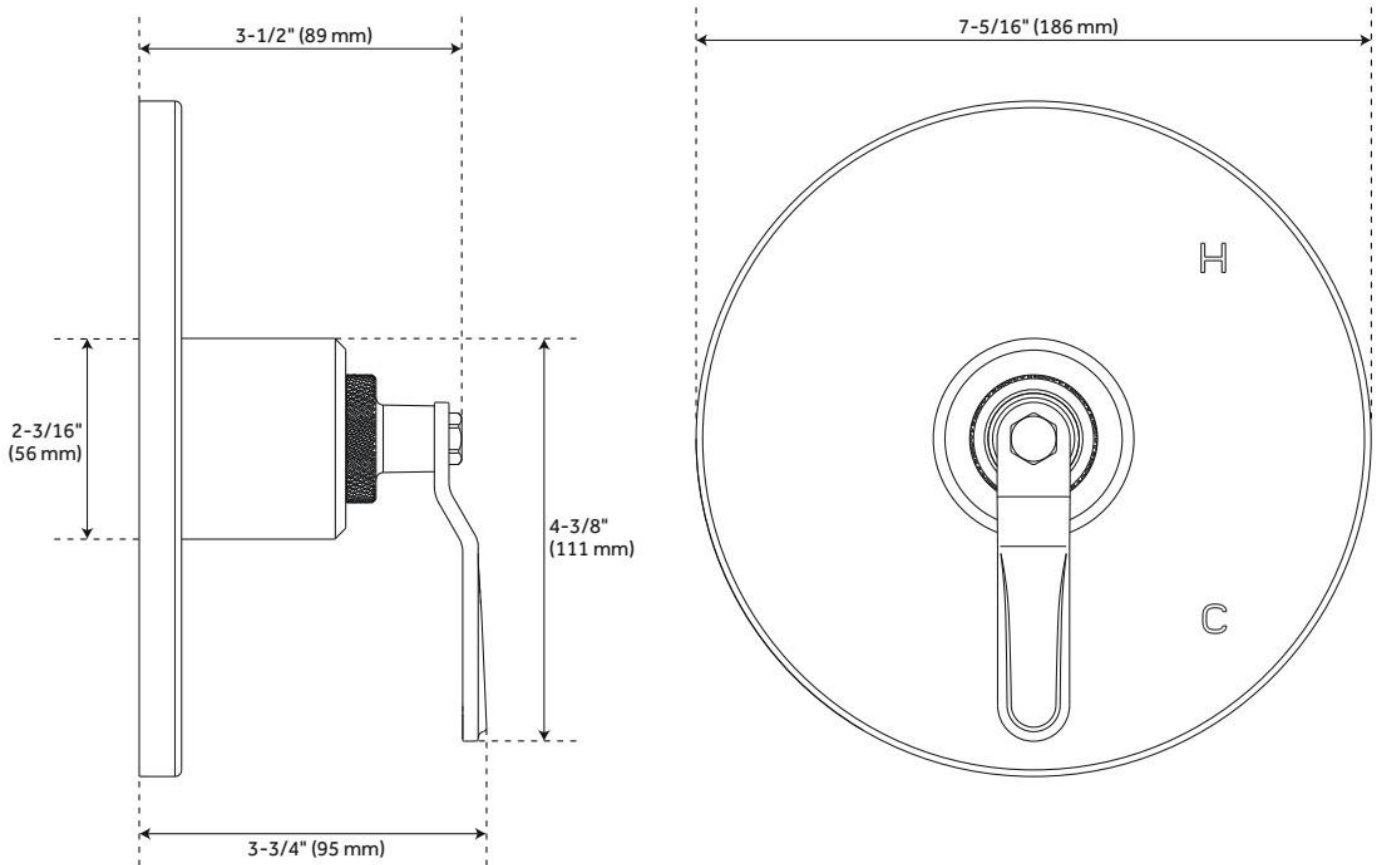
ADDITIONAL FEATURES

- Metal Handle.
- Optional Rough-in Valve:
 - Pressure balance valve with integral stops.
 - One-piece cartridge design for ease of maintenance.
 - Back-to-back capability.
 - Ceramic disc valve cartridge.
 - Cast bronze valve body.
 - Adjustable temperature limit stop.
 - Quick remove plaster guard.
 - Easy mounting brackets.

REVISED 5/30/2024

GUNTHER PRESSURE BALANCE SHOWER VALVE TRIM

SKU: 953081
Code: SHGU8010



REVISED 5/30/2024

GUNTHER IN-WALL SHOWER DIVERTER TRIM

SKU: 953082
Code: SHGU9005



FEATURES

Required for Installation: Rough-in valve: SH6103 or SH6101

ASME A112.18.1/CSA B125.1, ASME A112.18.2/CSA B125.2, Massachusetts Accepted, LISTED ID: SHGU9005XX, SH6103



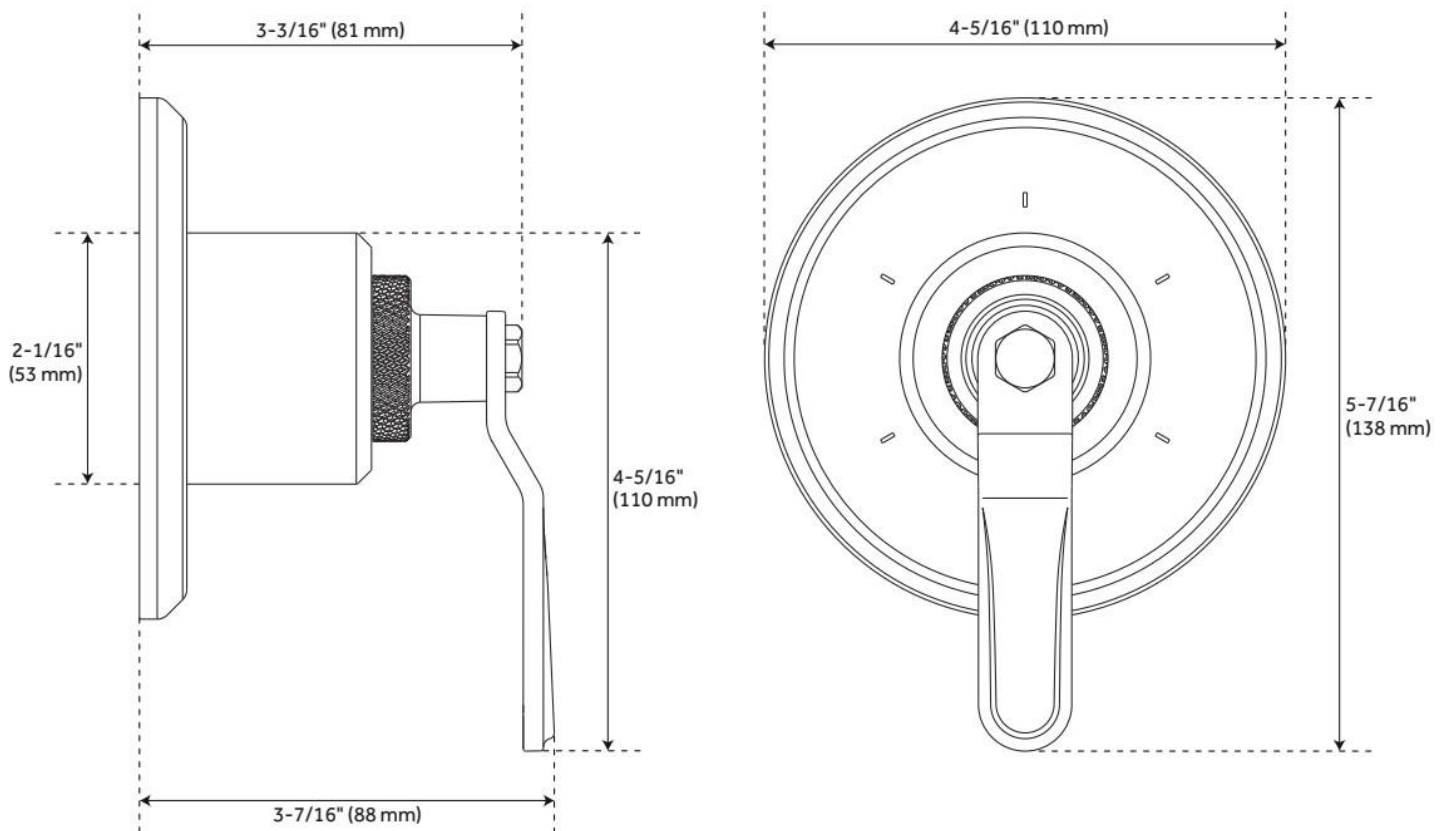
ADDITIONAL FEATURES

- Not intended as a shut off valve.
- Six total settings allow for shared water flow between outlets, giving you the ability to use two functions at once.
- Optional Rough-in Valve:
 - Available Single-Function Diverter Valve Cartridge restricts water flow to one outlet at a time.
 - Brass valve body.
 - Ceramic cartridge.
 - Must be installed in accordance with provided installation instructions.

REVISED 5/30/2024

GUNTHER IN-WALL SHOWER DIVERTER TRIM

SKU: 953082
Code: SHGU9005



REVISED 5/30/2024

8" MODERN ROUND RAINFALL SHOWER HEAD - 1.8 GPM - CHROME

SKU: 948948-18

Code: SHRSB820RG, SH484203, SH485499, SHRSB820RGPB



FEATURES

Material: ABS

Shower Head Swivel: Yes

ASME A112.18.1/CSA B125.1, CEC Listed, WaterSense by IAPMO, Massachusetts Accepted, LISTED ID: SHRSB820RG*

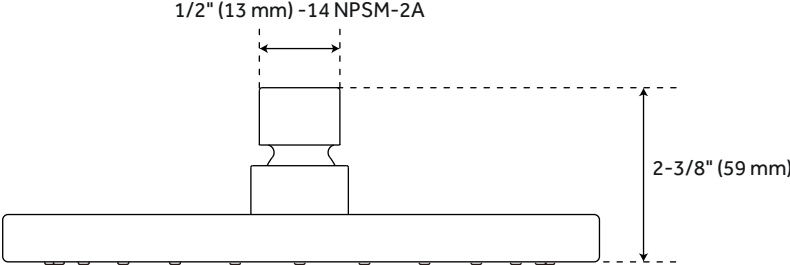
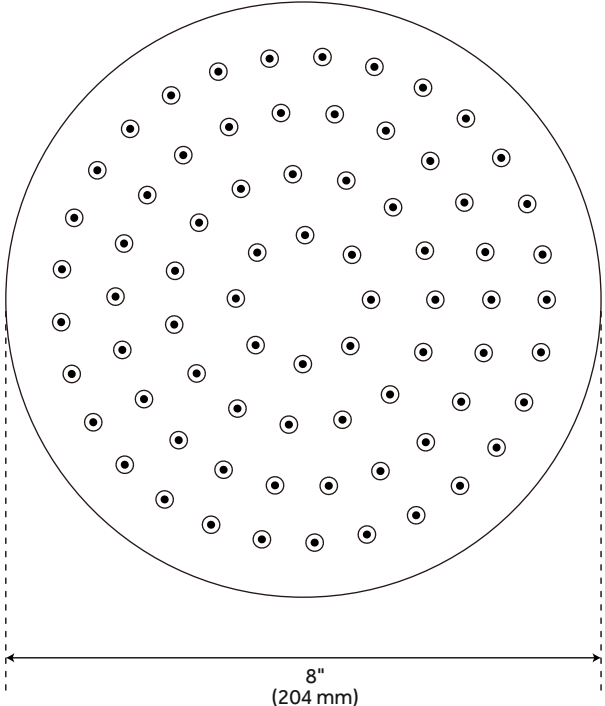


ADDITIONAL FEATURES

- Single function shower head (full spray).
- Easy clean rubber nozzles.
- Brass ball joint.

REVISED 5/24/2024

MODERN ROUND RAINFALL SHOWER HEAD - 1.8 GPM



All dimensions and specifications are nominal and may vary. Use actual products for accuracy in critical situations.

WALL-MOUNT RAINFALL SHOWER ARM

SKU: 948955

Code: SHRSA123, SHRSA181, SH485514, SHRSA150

FEATURES

Material: Stainless Steel

Connection Type: 1/2" NPT



ASME A112.18.1/CSA B125.1, Massachusetts Accepted, LISTED ID: SHRSA123*, SHRSA181*, SHRSA150*



ADDITIONAL FEATURES

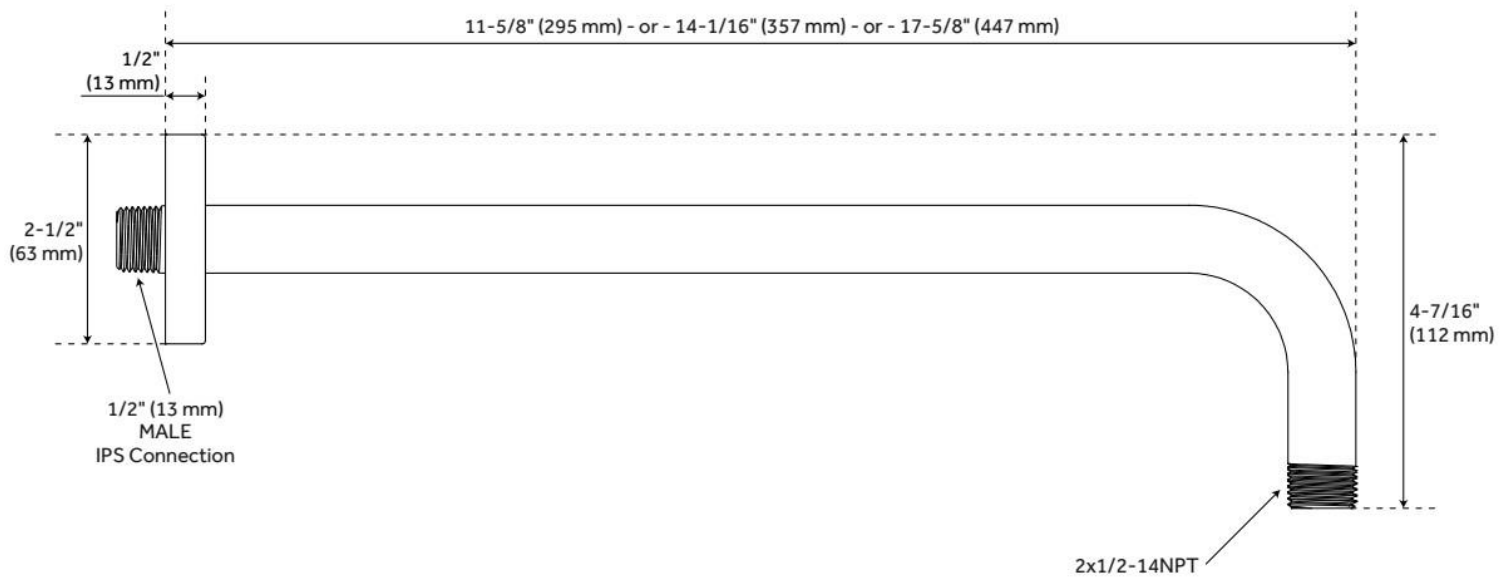
- All dimensions are ($\pm 1/2$ ").
- Escutcheon included.

REVISED 5/24/2024

WALL-MOUNT RAINFALL SHOWER ARM

SKU: 948955

Code: SHRSA123, SHRSA181, SH485514, SHRSA150



REVISED 5/24/2024

CONTEMPORARY SLIDE BAR FOR HAND SHOWER

SKU: 948919

Code: SHSB3040, SH484206, SH485501, SHSB3040PB



FEATURES

Material: Brass

ADDITIONAL FEATURES

- Metal bar and mounting posts.
- Adjustable angle for handshower mount.

REVISED 5/30/2024

CONTEMPORARY TUBULAR HAND SHOWER

SKU: 948923

Code: SHHS4030G, SH488912, SHHS4030GPB



FEATURES

Material: ABS

Hand Shower Spray: Full

Hand Shower Flow Rate: 1.8 gpm (6.8 L/min) @ 80 psi

ASME A112.18.1/CSA B125.1, CEC Listed, WaterSense by IAPMO, Massachusetts Accepted, LISTED ID: SHHS4030G*



ADDITIONAL FEATURES

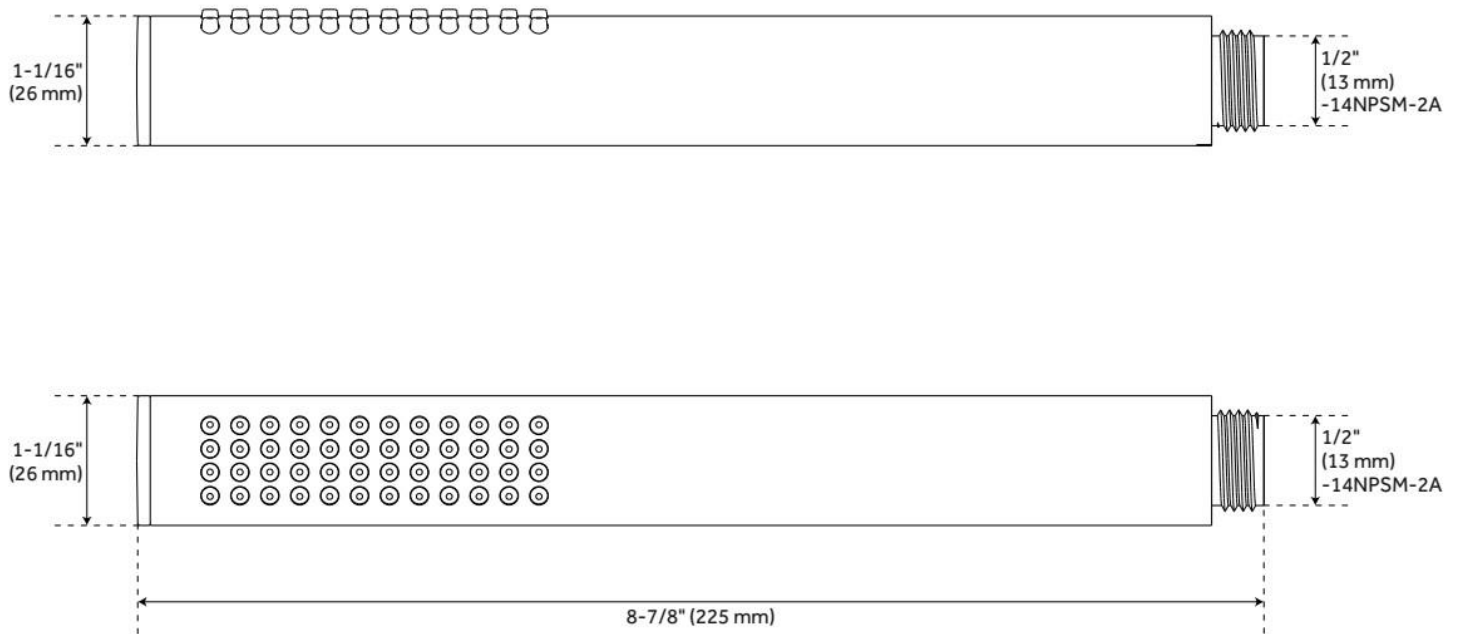
- Single function hand shower.
- Easy-clean spray nozzles.
- Factory installed backflow prevention check valve.
- Hose sold separately.

REVISED 5/30/2024

CONTEMPORARY TUBULAR HAND SHOWER

SKU: 948923

Code: SHHS4030G, SH488912, SHHS4030GPB



REVISED 5/30/2024

CONTEMPORARY ROUND WATER SUPPLY ELBOW FOR HAND SHOWER

SKU: 932365

Code: SHWE2040, SH417826, SH484207, SH485502, SHWE2040PB

FEATURES

Material: Brass

Connection Type: 1/2" NPT



ASME A112.18.1/CSA B125.1, LISTED ID: SHWE2040*



ADDITIONAL FEATURES

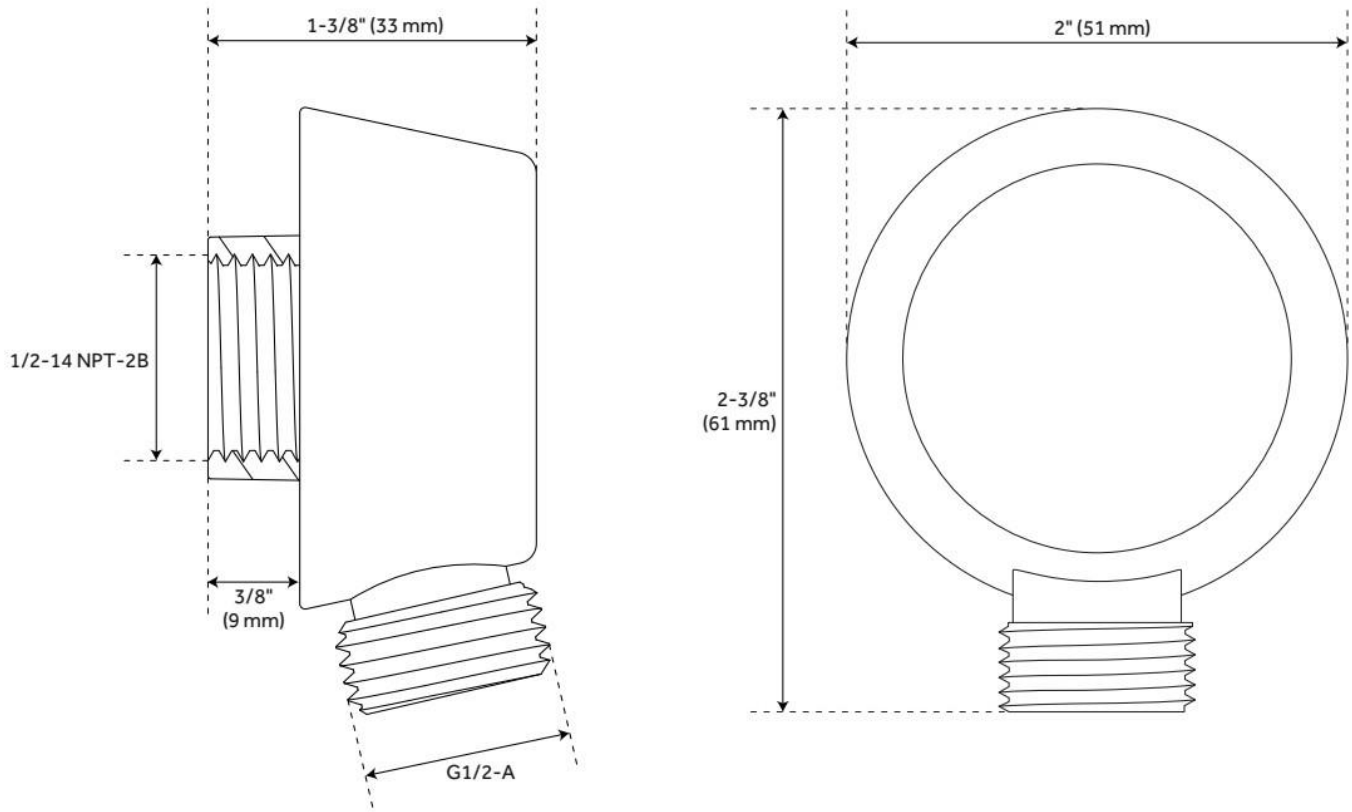
- 1/2" Female wall connection.
- 1/2" Male hose connection.

REVISED 5/30/2024

CONTEMPORARY ROUND WATER SUPPLY ELBOW FOR HAND SHOWER

SKU: 932365

Code: SHWE2040, SH417826, SH484207, SH485502, SHWE2040PB



REVISED 5/30/2024

60" METAL HAND SHOWER HOSE

SKU: 948088
Code: SHH1010

FEATURES

Connection Type: 1/2" IPS



ASME A112.18.1/CSA B125.1, Massachusetts Accepted, LISTED ID: SHH1010*



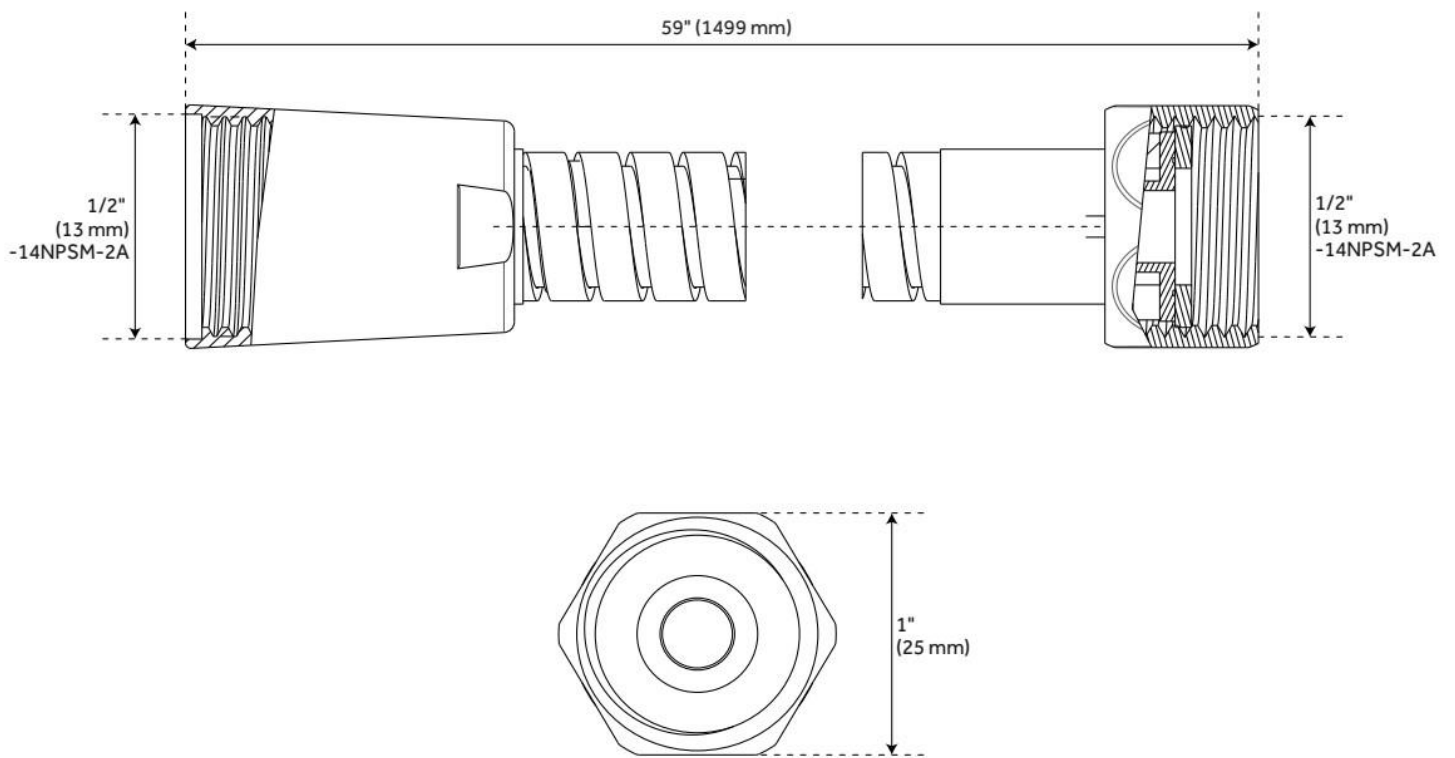
ADDITIONAL FEATURES

- Hand Sprayer sold separately.
- 60" - 72" stretchable metal shower hose.
- Double spiral constructed hose.

REVISED 5/24/2024

60" METAL HAND SHOWER HOSE

SKU: 948088
Code: SHH1010



REVISED 5/24/2024

PRESSURE BALANCE TUB & SHOWER ROUGH-IN VALVE

SKU: 446520
Code: SH4001



FEATURES

Material: Bronze
Flow Rate: 6.34 gpm (24.0 L/min) @ 80 psi
Connection Type: 1/2" MIP and SWT
Cartridge Type: Ceramic Disc

IAPMO, ASME A112.18.1/CSA B125.1, ASSE 1016 Type P, Massachusetts Accepted, LISTED ID: SH4001



ADDITIONAL FEATURES

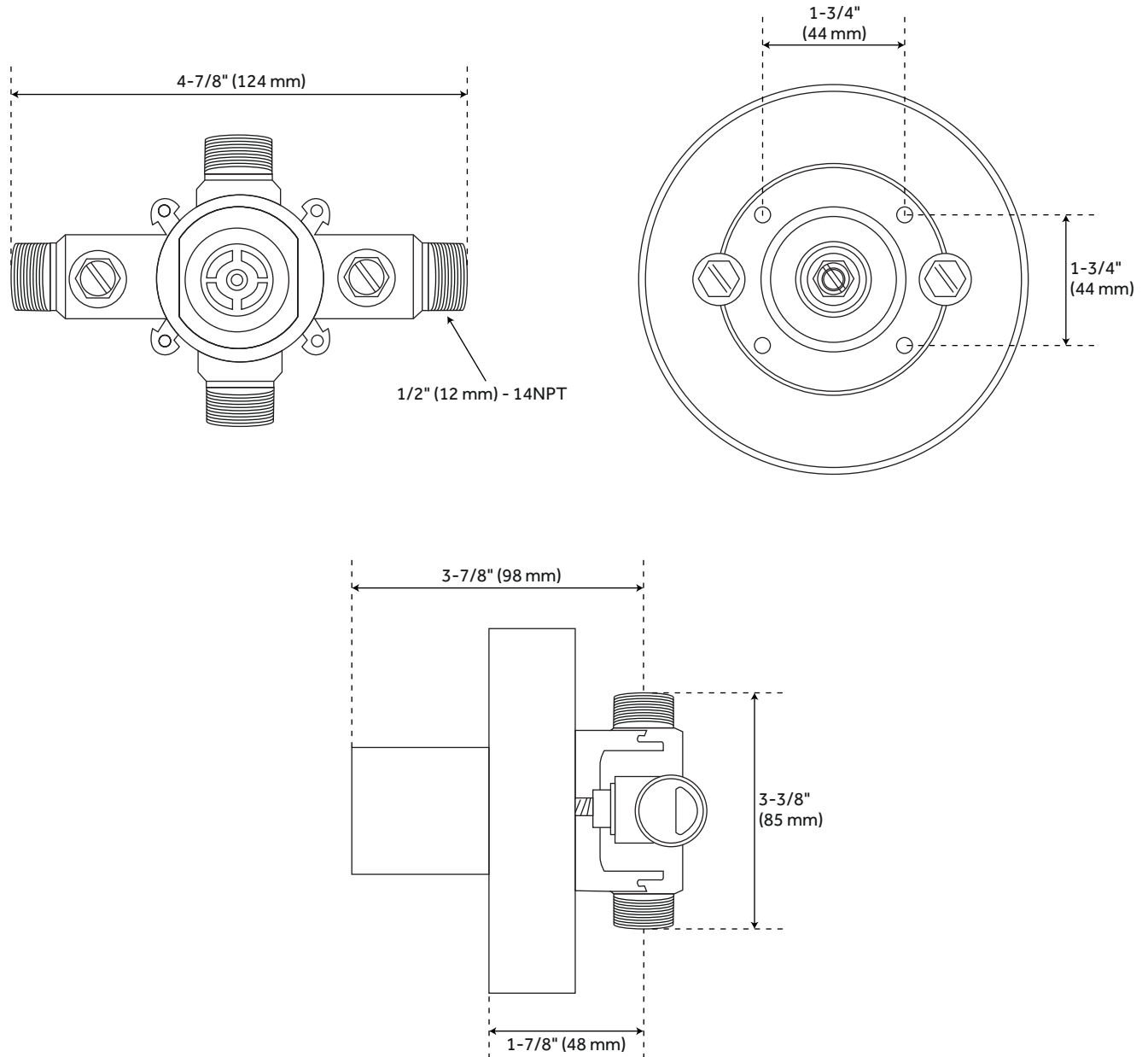
- Compatible with Beasley, Berwyn, Boca Raton, Drea, Edenton, Elita, Greyfield, Gunther, Hibiscus, Key West, Lentz, Lexia, Pendleton, Pinecrest, Provincetown, Rigi, Sefina, Vassor and Vilamonte Pressure Balance Trims.
- Pressure balance valve with integral stops.
- One-piece ceramic cartridge design for ease of maintenance.
- Back-to-back capability
- Cast bronze valve body.
- Adjustable temperature limit stop.
- Quick remove plaster guard and easy mounting brackets.

REVISED 8/14/2024

PRESSURE BALANCE TUB AND SHOWER ROUGH-IN VALVE

SKU: 446520

SH4001



All dimensions and specifications are nominal and may vary. Use actual products for accuracy in critical situations.

3-WAY IN-WALL DIVERTER ROUGH-IN VALVE - 3/4"

SKU: 446519
Code: SH6103

FEATURES

Material: Brass
Cartridge Type: Ceramic Disc



IAPMO, ASME A112.18.1/CSA B125.1, ASME A112.18.2/CSA B125.2, Massachusetts Accepted, LISTED ID: SH6103



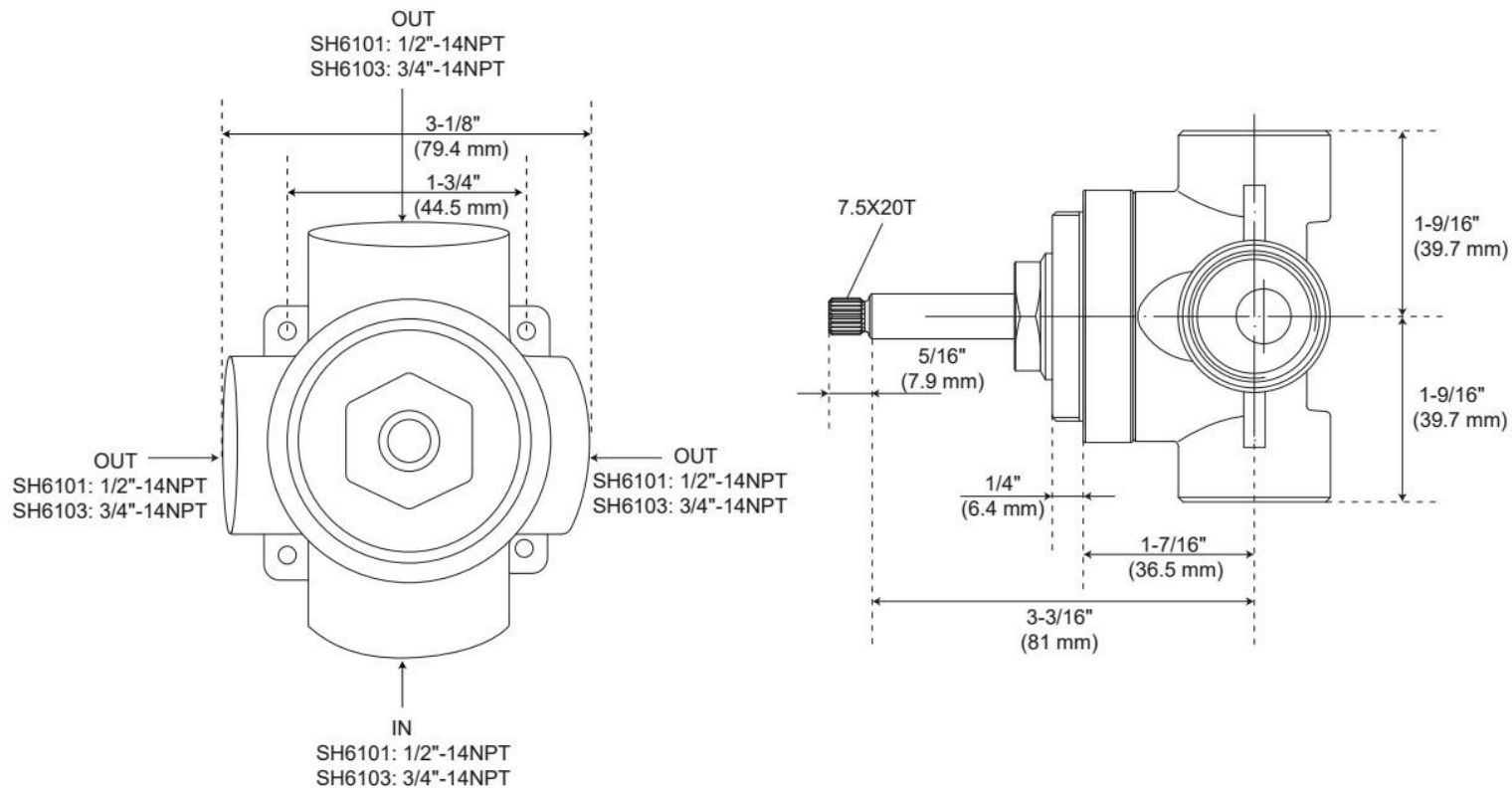
ADDITIONAL FEATURES

- Six total settings allow for shared water flow between outlets, giving you the ability to use two functions at once.
- Ceramic cartridge.
- Available Single-Function Diverter Valve Cartridge restricts water flow to one outlet at a time.
- Not intended as a shut off valve.
- For installations only requiring 2 outlets, the 3rd outlet may be looped into one of the existing pipes.
- Compatible with Beasley, Berwyn, Boca Raton, Drea, Edenton, Elita, Greyfield, Gunther, Hibiscus, Key West, Lentz, Lexia, Pendleton, Pinecrest, Provincetown, Rigi, Sefina, Vassor and Vilamonte Diverter Trims.

REVISED 10/14/2024

3-WAY IN-WALL DIVERTER ROUGH-IN VALVE - 3/4"

SKU: 446519
Code: SH6103



REVISED 10/14/2024