

67" BRAYDEN BATEAU CAST IRON SKIRTED TUB WITH STAINLESS STEEL SKIRT

SKU: 953441

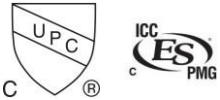
Code: SH479770, SH479771, SH479772, SH479773, SH479774, SH479775, SH479776, SH379879



FEATURES

Tub Material: Cast Iron
Product Finish: Stainless Steel
Shape: Oval
Tub Drain Placement: Offset
Drain Included: Optional
Water Depth to Overflow: 14-1/2"
Water Capacity (Gallons): 47
Built-In Adjusters: Yes
Tub Weight Uncrated (lbs): 462
Optional Accessory: 428473

LISTED ID: 510720, 517278, 510721, 510724, 510729



ADDITIONAL FEATURES

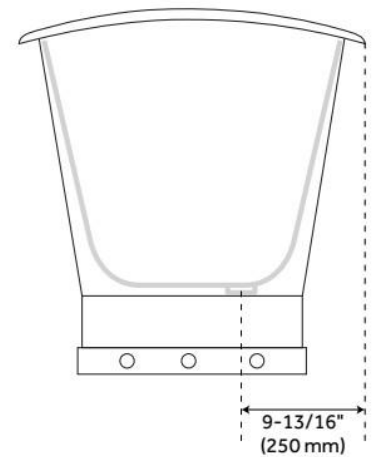
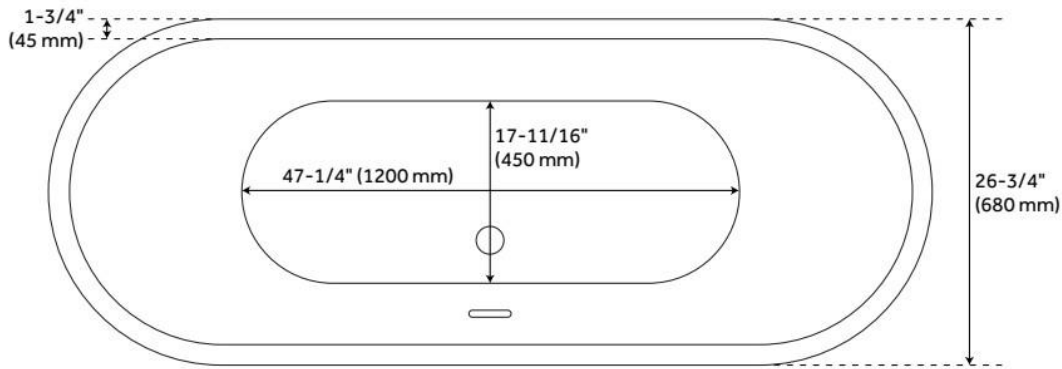
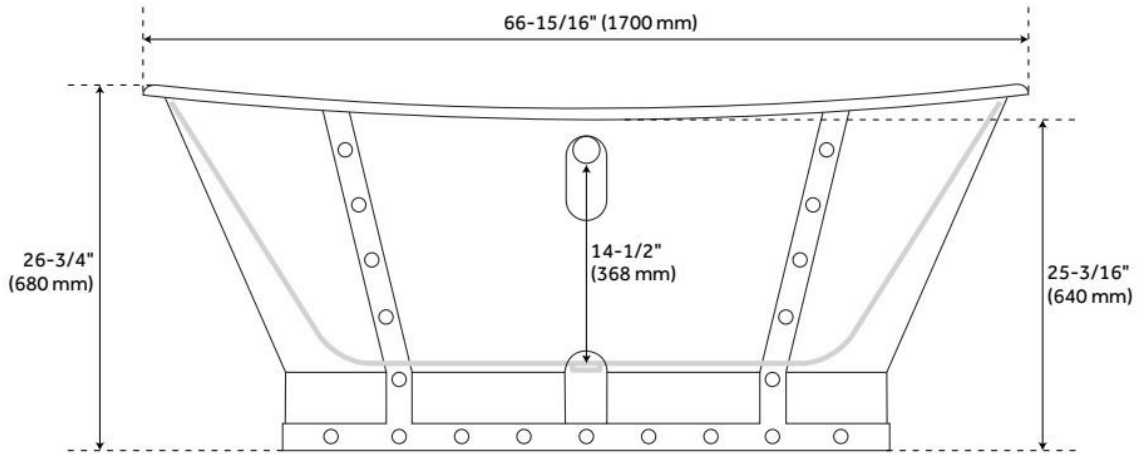
- All dimensions are ($\pm 1/2$ ").

REVISED 6/18/2024

67" BRAYDEN BATEAU CAST IRON SKIRTED TUB WITH STAINLESS STEEL SKIRT

SKU: 953441

Code: SH479770, SH479771, SH479772, SH479773, SH479774, SH479775, SH479776, SH379879



REVISED 6/18/2024

EXTENDED POP-UP TUB DRAIN - SWIVEL HEAD - STANDARD OVERFLOW - 1-1/2" TUBING

SKU: 943092

Code: SH440231, SH437313, SH437314, SH437309, SH437310, SH437311, SH437312, SH440233, SH437315, SH437316, SH437317, SH437318, SH437338, SH437319, SH440232, SH437331, SH437332, SH437333, SH437334, SH437335, SH437336, SH440234, SH437320, SH437321, SH437322, SH437323, SH437324, SH437325, SH440230, SH437326, SH437327, SH437328, SH437329, SH437330, SH437337

FEATURES



LISTED ID: 510720, 510721, 510724, 510729



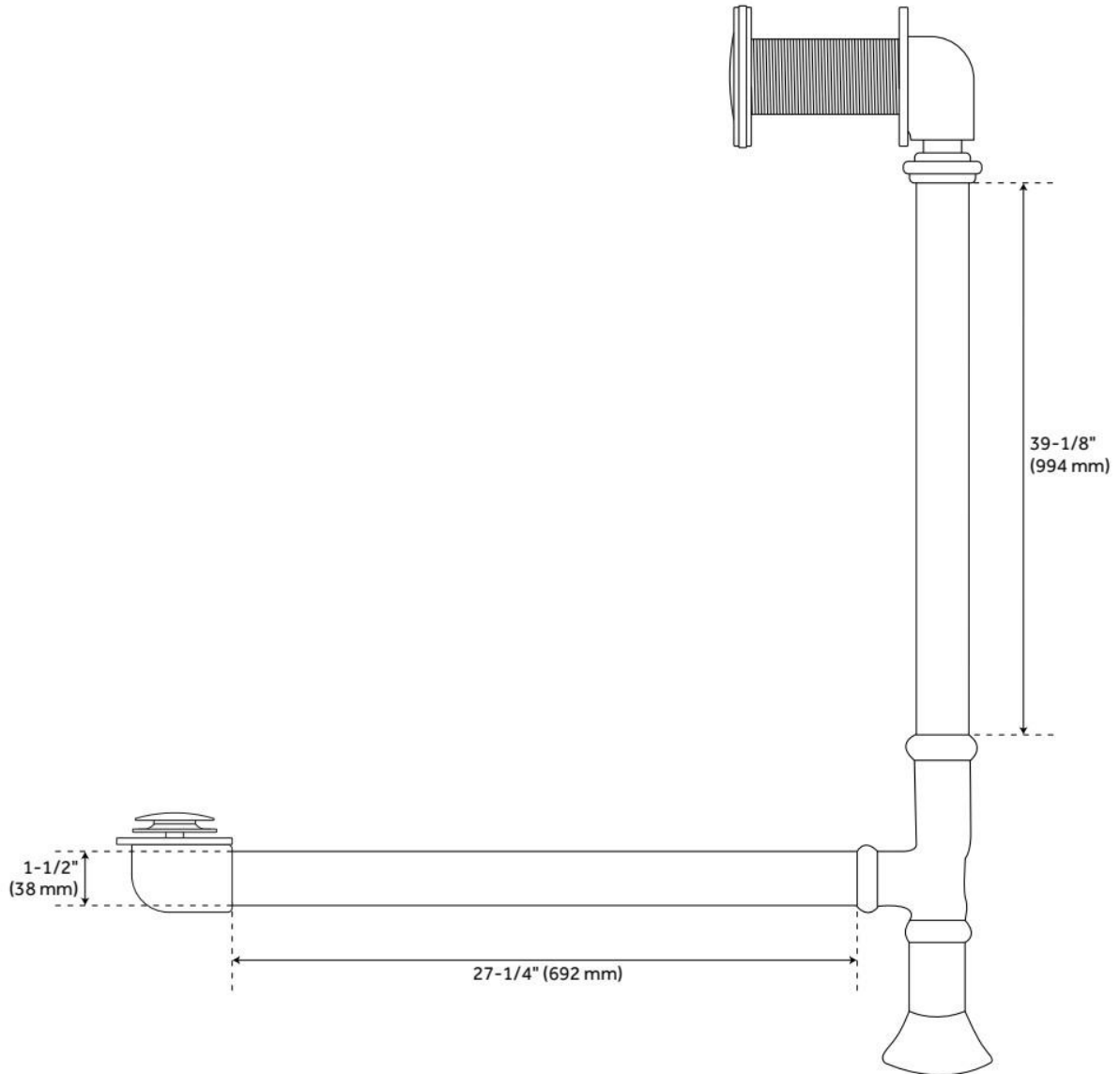
- Product is a Signature Hardware exclusive design.
- Overflow does not have the ability to be sealed.
- Can be used on double wall tubs.
- Made from solid brass materials.
- 1-5/16" Thread length dimensions: 27-1/4" L drain pipe, 39-1/8" H overflow pipe. Accommodates tub walls up to 7/8" thick at overflow.
- 2-3/8" thread length dimensions: 27-1/4" L drain pipe, 39-1/8" H overflow pipe. Accommodates tub walls up to 1-3/4" thick at overflow.
- 2-15/16" thread length dimensions: 27-1/4" L drain pipe, 39-1/8" H overflow pipe. Accommodates tub walls up to 2-1/2" thick at overflow.
- 3-11/16" thread length dimensions: 27-1/4" L drain pipe, 39-1/8" H overflow pipe. Accommodates tub walls up to 3-3/8" thick at overflow.
- 4-1/4" thread length dimensions: 27-1/4" L drain pipe, 39-1/8" H overflow pipe. Accommodates tub walls up to 3-3/4" thick at overflow.

REVISED 6/18/2024

EXTENDED POP-UP TUB DRAIN - SWIVEL HEAD - STANDARD OVERFLOW - 1-1/2" TUBING

SKU: 943092

Code: SH440231, SH437313, SH437314, SH437309, SH437310, SH437311, SH437312, SH440233, SH437315, SH437316, SH437317, SH437318, SH437338, SH437319, SH440232, SH437331, SH437332, SH437333, SH437334, SH437335, SH437336, SH440234, SH437320, SH437321, SH437322, SH437323, SH437324, SH437325, SH440230, SH437326, SH437327, SH437328, SH437329, SH437330, SH437337



REVISED 6/18/2024