

# KERRICK DUAL-FLUSH TWO-PIECE ELONGATED SKIRTED TOILET - WHITE

SKU: 953505

Code: SHKR200,SHKR240S, SHKR200,SHKR240S,SHBDS300



## FEATURES

Material: Porcelain  
Product Finish: White  
Toilet Style: 2-Piece  
Flush Handle Location: Top  
Bowl Height: 16-5/8"  
Bowl Shape: Elongated  
Rough-in: 12"  
Gallons Per Flush: Dual Flush - 1.28 / 1.1 GPF (4.8 / 4.1 LPF)  
Flush Type: Gravity  
Flush Valve Size: 3"  
Trapway Diameter: 2"  
Seat Included: Yes  
Water Spot: 10-13/16" x 8"

Optional Accessory: SHC201TLMB

ASME A112.19.2/CSA B45.1, ASME A112.4.2/CSA B45.16, CEC Listed, WaterSense by IAPMO, Massachusetts Accepted, LISTED ID: SHKR200WH / SHKR240SWH, SHKR200WH / SHKR240SWH, SHBDS300WH



## ADDITIONAL FEATURES

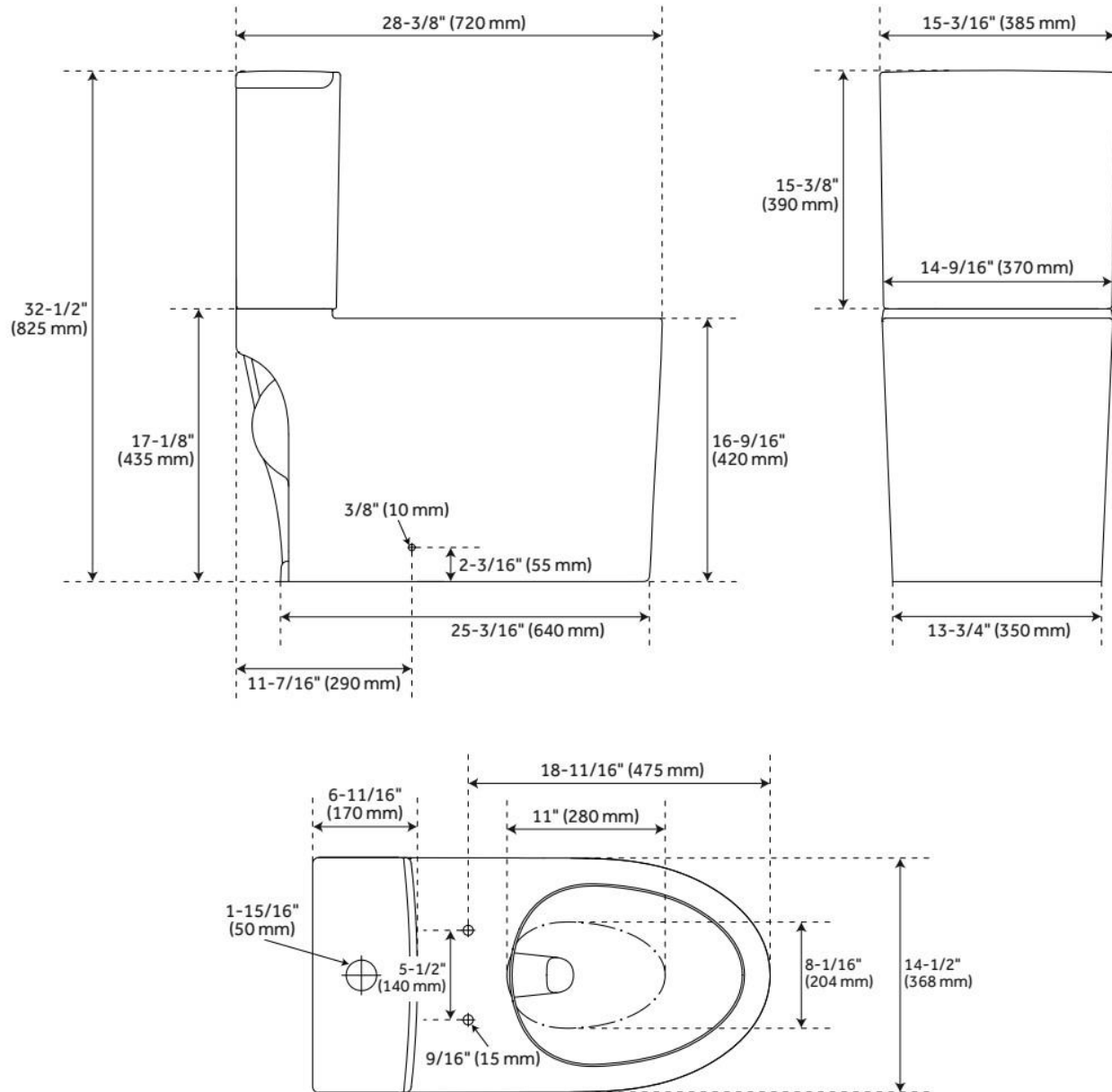
- Concealed trapway.
- Flush button located on top of tank.
- Seat features soft close hinges.1.1/1.6 gallons per flush.

REVISED 7/22/2024

# KERRICK DUAL-FLUSH TWO-PIECE ELONGATED SKIRTED TOILET - WHITE

SKU: 953505

Code: SHKR200,SHKR240S, SHKR200,SHKR240S,SHBDS300



REVISED 7/22/2024

# BROOKDALE ELONGATED BIDET SEAT - WHITE

SKU: 437000  
Code: SHBDS300

## FEATURES

Material: Plastic  
Product Finish: White  
Bowl Shape: Elongated



IAPMO, ASME A112.4.2/CSA B45.16, Massachusetts Accepted, LISTED ID: SHBDS300WH



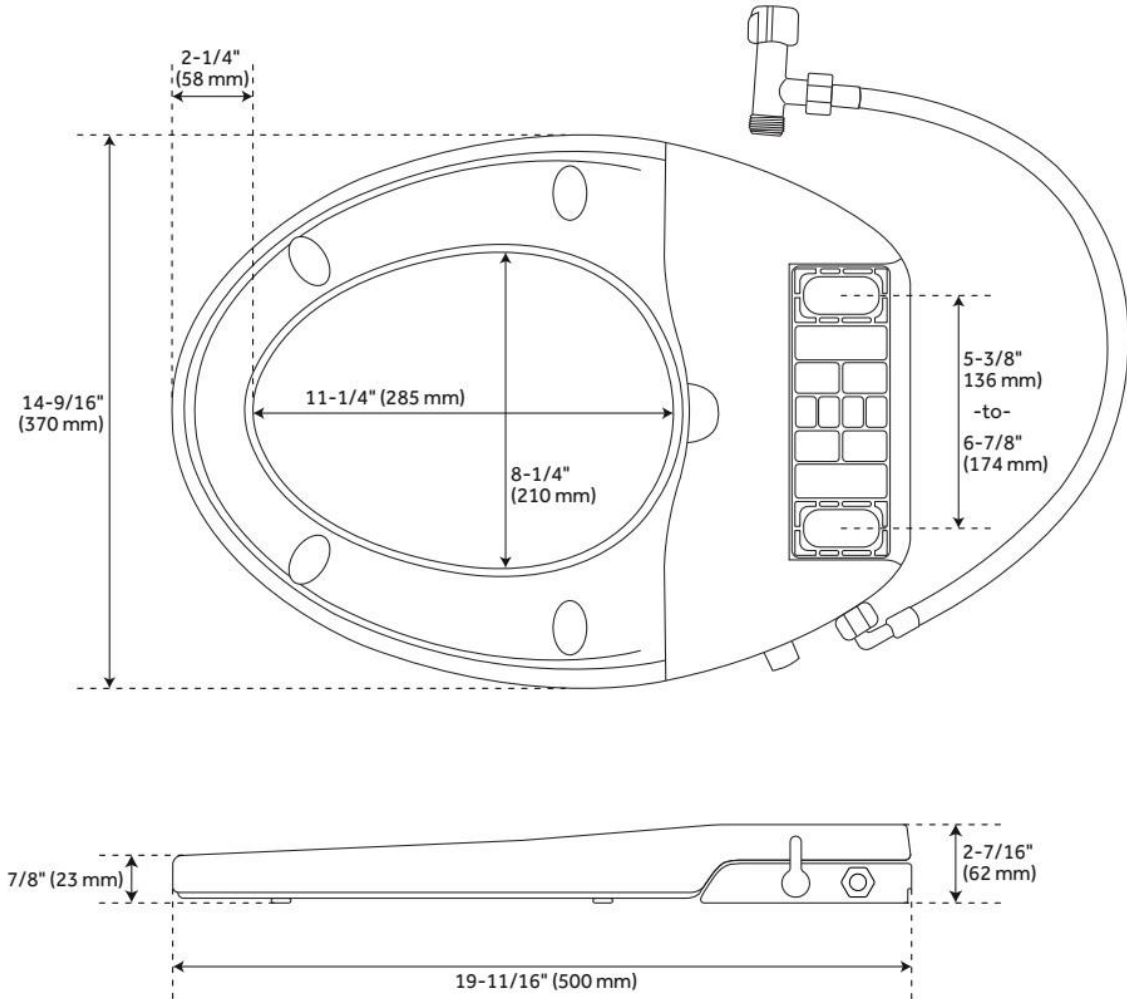
## ADDITIONAL FEATURES

- Seat without lid dimensions: 13-5/8" L x 19" W (front to back) x 2-1/2" H.
- Side knob allows for adjustment of angle, water volume, and cleaning type.
- Spray nozzle features multiple holes for a softer cleanse and water saving operation.
- Spray nozzle is self-cleaning, antibacterial, and removable for further cleaning.
- Bidet seat has a glossy finish with protective bumpers and self-closing seat/lid.
- Installs easily with quick-release system.
- Fits most standard elongated bowl toilets with adjustable hinge for side-to-side adjustment of 5-3/8" to 6-1/2" centers.
- Designed for one- and two-piece toilets.
- Toilet not included.

REVISED 7/17/2024

# BROOKDALE ELONGATED BIDET SEAT - WHITE

SKU: 437000  
Code: SHBDS300



REVISED 7/17/2024