

KERRICK DUAL-FLUSH TWO-PIECE ELONGATED SKIRTED TOILET - WHITE

SKU: 953505

Code: SHKR200,SHKR240S
, SHKR200,SHKR240S,SHBDS300



FEATURES

Installation Type: Floor Mount
Features: Soft-Close Hinges
Product Finish: White
Material: Porcelain
Length: 28-3/8"
Width: 15-1/8"
Height: 32-3/4"
Rough In: 12"
Bowl Shape: Elongated
Bowl Height: 16-5/8"
Gallons Per Flush: 1.1 GPF / 1.6 GPF
Hardware Finish: Chrome
Seat Included: Yes

ASME A112.19.2/CSA B45.1

CEC Listed

Massachusetts Accepted



REVISED 10/2/2023

KERRICK DUAL-FLUSH TWO-PIECE ELONGATED SKIRTED TOILET - WHITE

SKU: 953505

Code: SHKR200,SHKR240S
, SHKR200,SHKR240S,SHBDS300



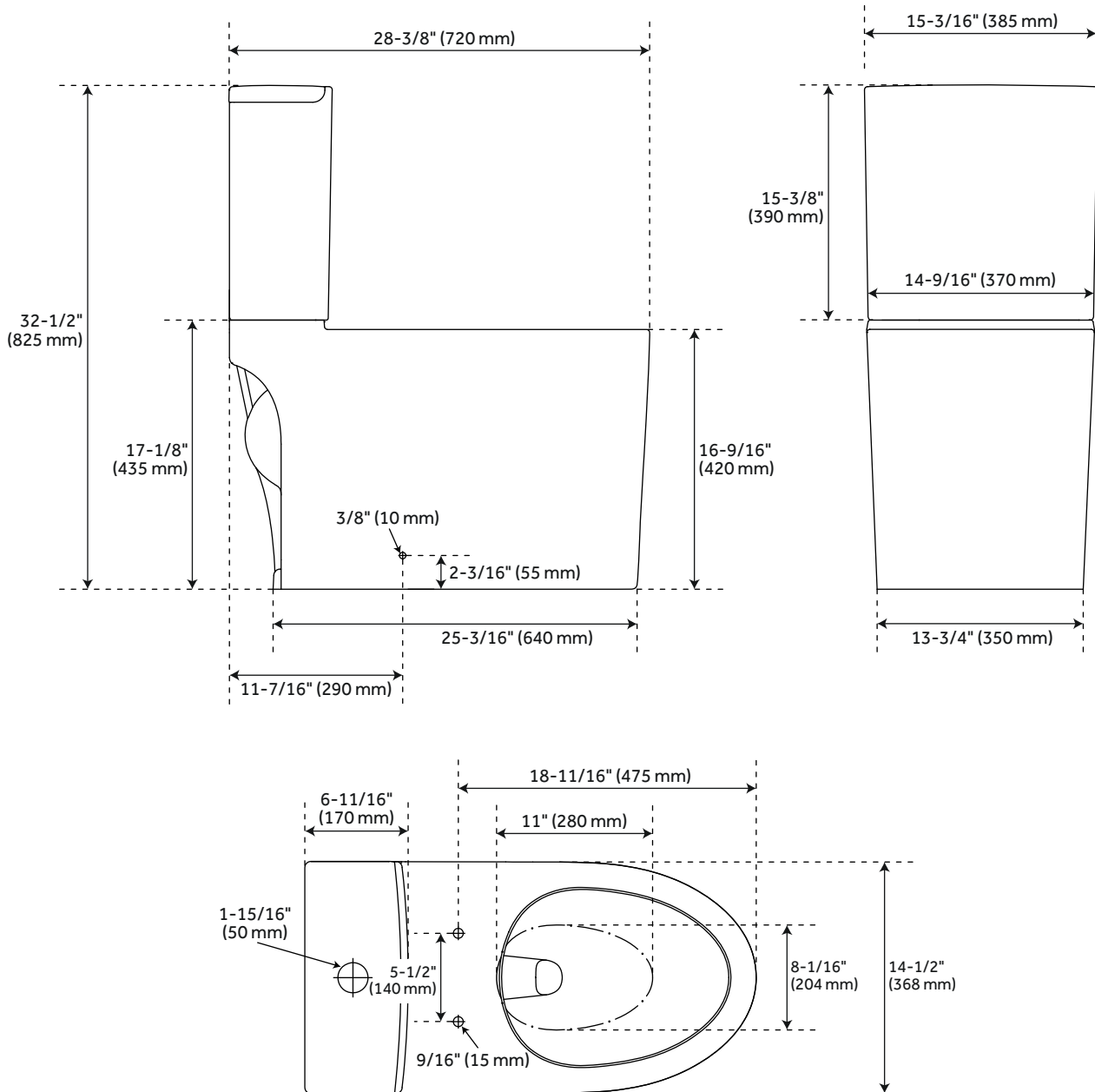
ADDITIONAL FEATURES

- Concealed trapway
- Flush button located on top of tank.
- Seat features soft close hinges.
- Small Flush Button 1.1 GPF, Large Flush Button 1.6 GPF.

REVISED 10/2/2023

KERRICK DUAL-FLUSH TWO-PIECE SKIRTED ELONGATED TOILET

SKU: 953505



All dimensions and specifications are nominal and may vary. Use actual products for accuracy in critical situations.

Code: SHKR240SWH, SHKR200WH