

33" MELBROOK STAINLESS STEEL WORKSTATION DROP-IN KITCHEN SINK

SKU: 953602

Code: SH481917, SH481918



FEATURES

Material: Stainless Steel
Product Finish: Stainless Steel
Installation Type: Drop-In
Shape: Rectangle
Drain Placement: Center Rear
Fits Drain Hole Size: 3-1/2"
Overflow Hole: No
Mounting Hardware Included: Yes

Optional Accessory: SH482757, SH482758, SH480532, SH446624, SH482759, SH480531, SH402266, SH212170, SH446628, SH171SS, SH482752, SH482753, SH480538, SH446614, SH446615, SH482754, SH480537, SH196809, SH212165, SH446618, SH406049

ASME A112.19.3/CSA B45.4, Massachusetts Accepted, LISTED ID: SH229042SS, SH229043SS



ADDITIONAL FEATURES

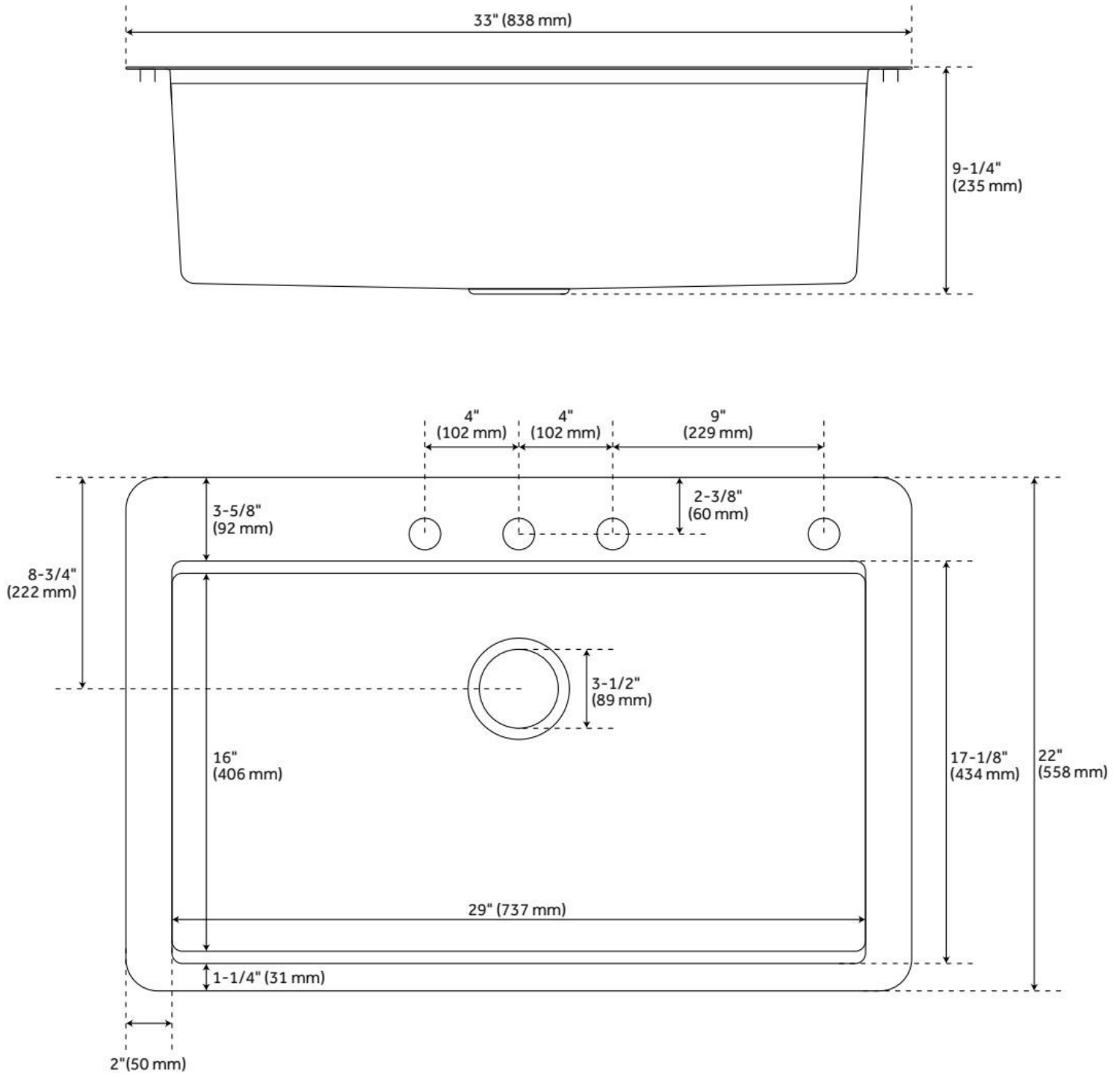
- For your convenience, a cutting board, rolling mat, grid, and colander are included.
- It is recommended to have the sink at the job site before cutting cabinet or counter top.
- Sound absorption pads on the underside of sink.
- Has an undercoating to prevents condensation buildup.

REVISED 7/9/2024

33" MELBROOK STAINLESS STEEL WORKSTATION DROP-IN KITCHEN SINK

SKU: 953602

Code: SH481917, SH481918

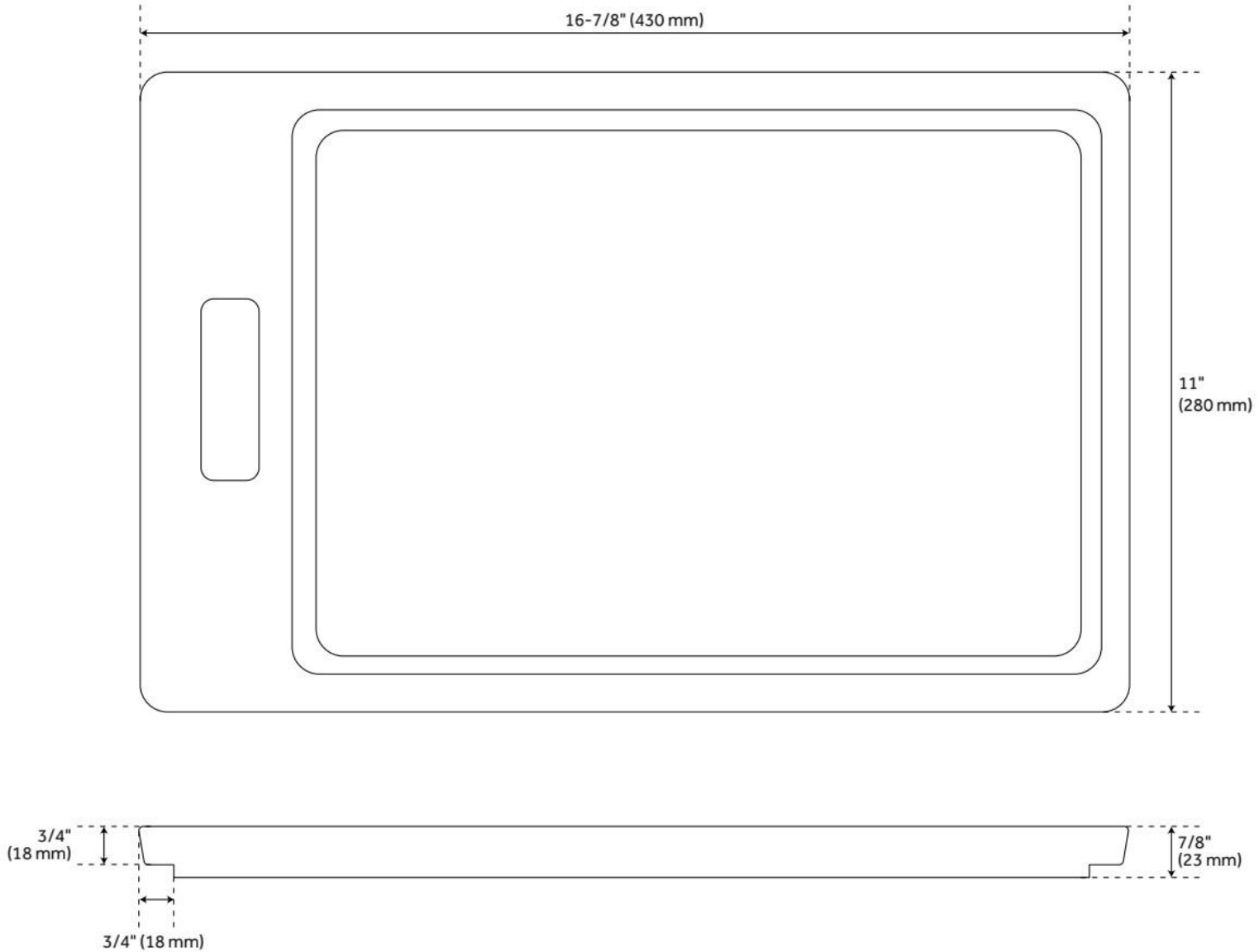


REVISED 7/9/2024

33" MELBROOK STAINLESS STEEL WORKSTATION DROP-IN KITCHEN SINK

SKU: 953602

Code: SH481917, SH481918

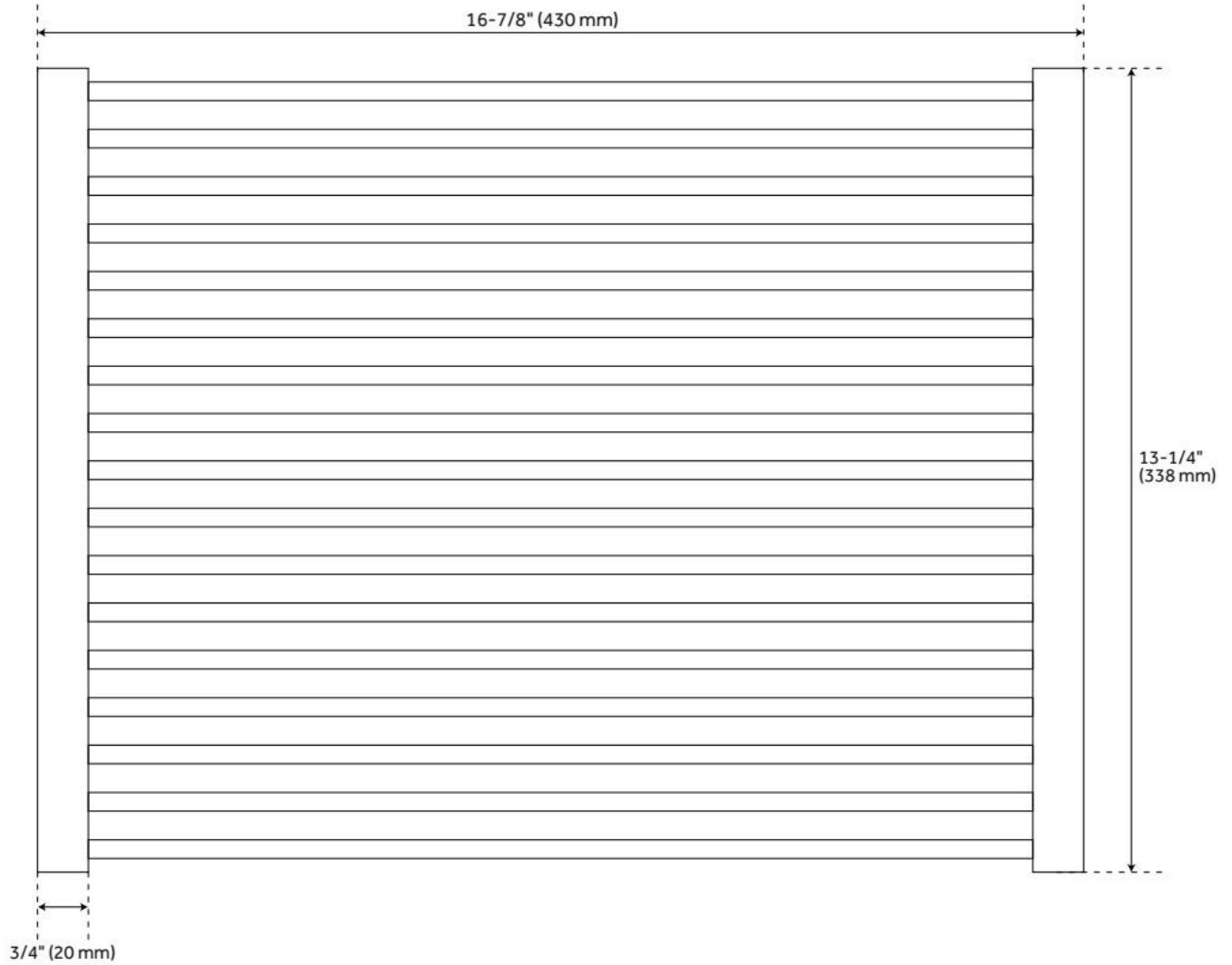


REVISED 7/9/2024

33" MELBROOK STAINLESS STEEL WORKSTATION DROP-IN KITCHEN SINK

SKU: 953602

Code: SH481917, SH481918

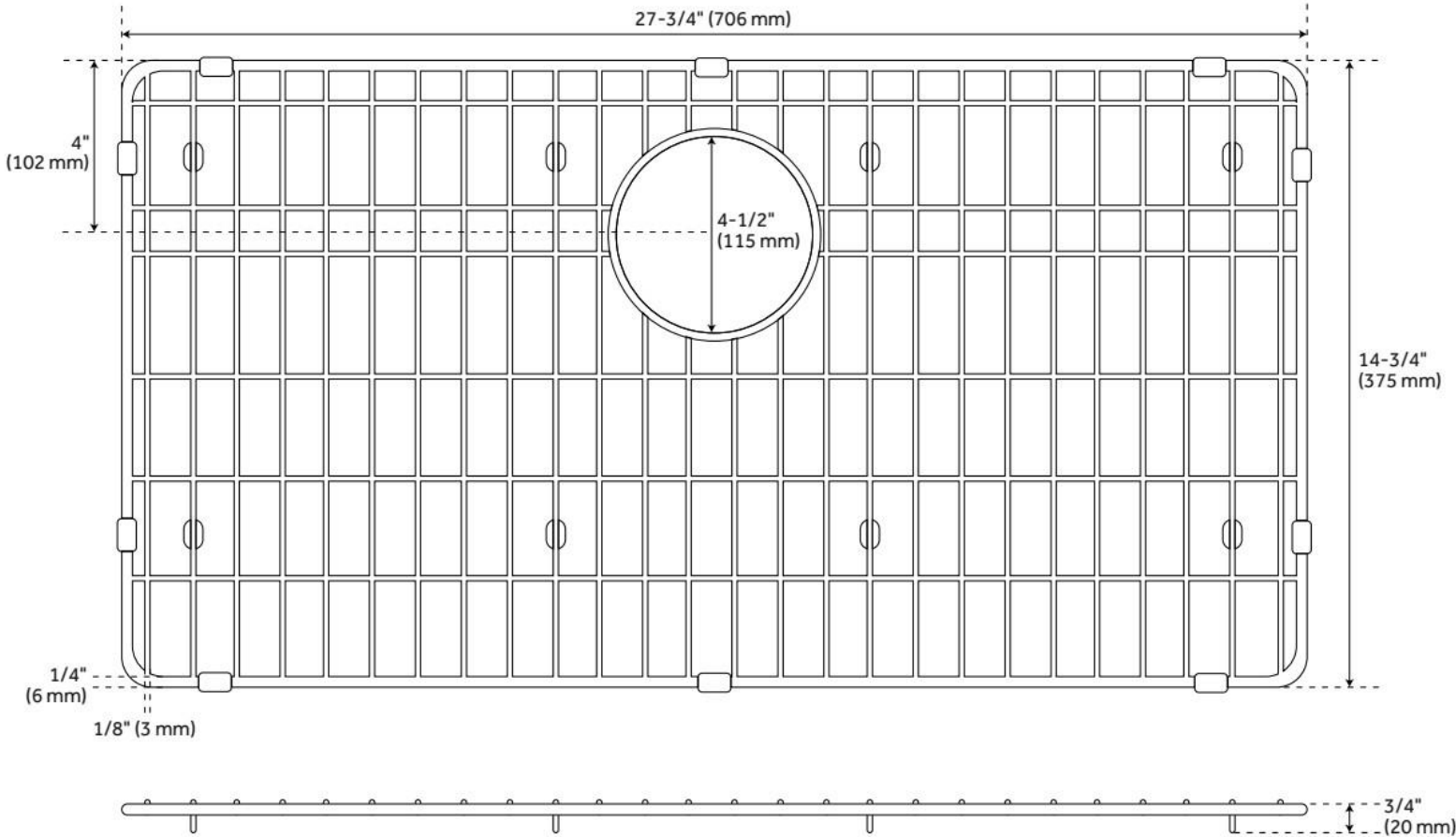


REVISED 7/9/2024

33" MELBROOK STAINLESS STEEL WORKSTATION DROP-IN KITCHEN SINK

SKU: 953602

Code: SH481917, SH481918



REVISED 7/9/2024