

BERWYN SINGLE-HOLE BATHROOM FAUCET WITH DECK PLATE

SKU: 953646-DP

Code: SHWSCBW107, SHBWDP107



FEATURES

Material: Metal construction for strength and durability

Installation Type: Single-Hole

Connection Type: Compression

Flow Rate: 1.2 gpm (4.5 L/min) @ 60 psi

Cartridge Type: Ceramic Disc

Swivel Spout: No

Drain Type: Metal push-pop with overflow

ASME A112.18.1/CSA B125.1, NSF/ANSI 372, NSF/ANSI 61, NSF/ANSI/CAN 61, NSF/ANSI/CAN 61-9:Q≤1, CEC Listed, WaterSense by IAPMO, Massachusetts Accepted, LISTED ID: SHWSCBW107XX, SHBWDP107XX



ADDITIONAL FEATURES

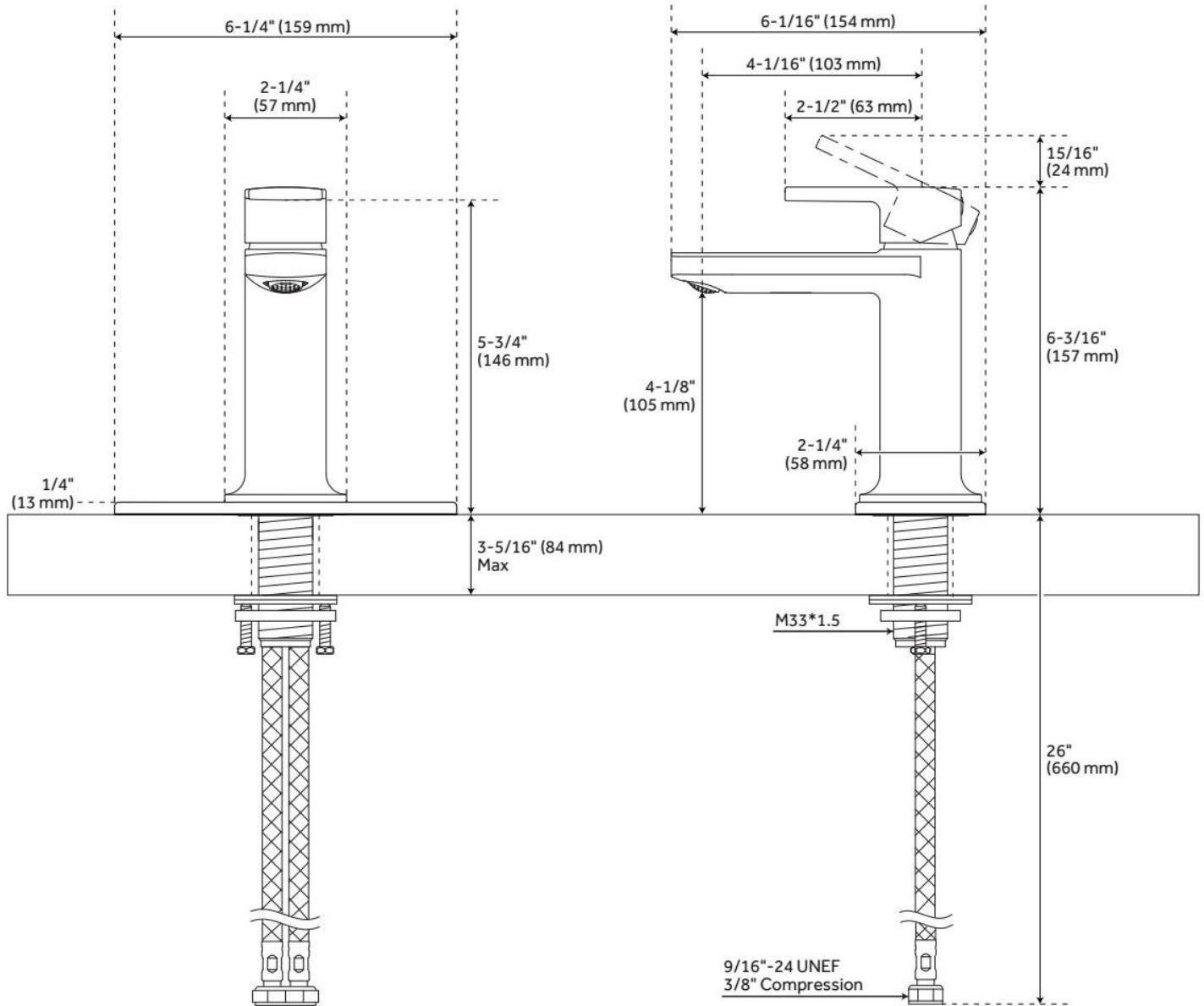
- Drain is only compatible with sinks that have an overflow.
- Included deck plate converts faucet from a single-hole installation to a 4" centerset spread.

REVISED 5/20/2024

BERWYN SINGLE-HOLE BATHROOM FAUCET WITH DECK PLATE

SKU: 953646-DP

Code: SHWSCBW107, SHBWD107

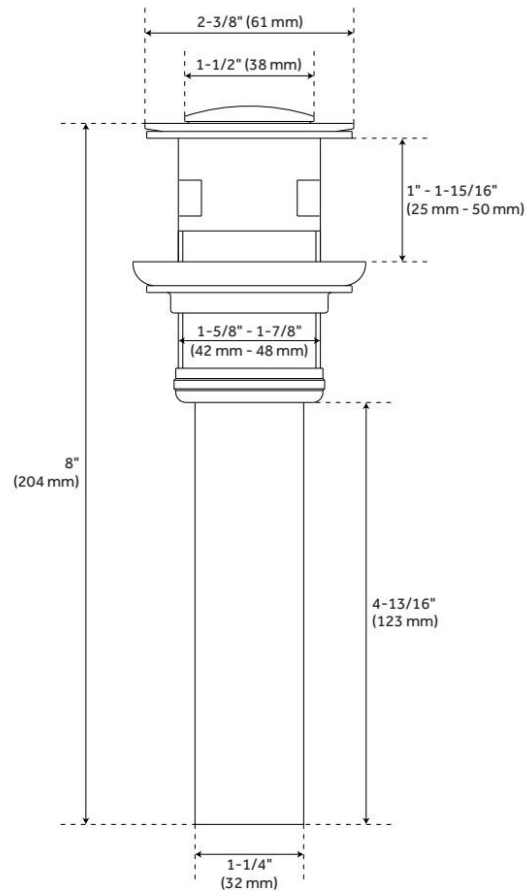


REVISED 5/20/2024

BERWYN SINGLE-HOLE BATHROOM FAUCET WITH DECK PLATE

SKU: 953646-DP

Code: SHWSCBW107, SHBWDP107



REVISED 5/20/2024