

BERWYN PRESSURE BALANCE SHOWER VALVE TRIM

SKU: 953651

Code: SHBW80102, SH4001



FEATURES

Material: Metal

Required for Installation: Rough-in valve: SH4001

ASME A112.18.1/CSA B125.1, ASSE 1016 Type P, WaterSense by IAPMO, Massachusetts Accepted, LISTED ID: SHBW80102XX, SHBW8010**, aSH4001, SH4001



ADDITIONAL FEATURES

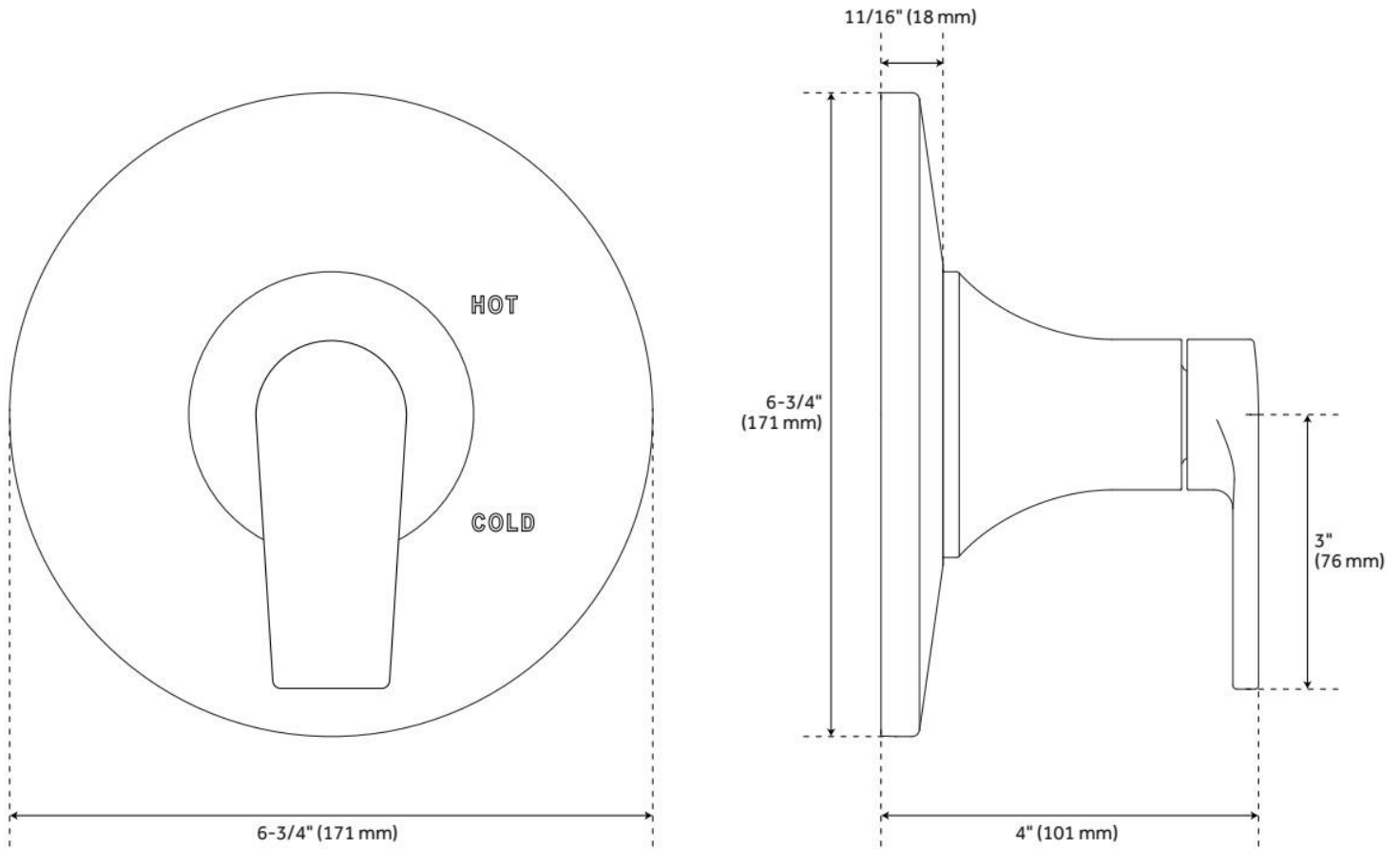
- Metal lever handle.
- Optional Rough-in Valve:
 - Pressure balance valve with integral stops.
 - One-piece cartridge design for ease of maintenance.
 - Back-to-back capability.
 - Ceramic disc valve cartridge.
 - Cast bronze valve body.
 - Adjustable temperature limit stop.
 - Quick remove plaster guard.
 - Easy mounting brackets.

REVISED 6/11/2024

BERWYN PRESSURE BALANCE SHOWER VALVE TRIM

SKU: 953651

Code: SHBW80102, SH4001



REVISED 6/11/2024

PRESSURE BALANCE TUB & SHOWER ROUGH-IN VALVE

SKU: 446520
Code: SH4001



FEATURES

Material: Bronze
Flow Rate: 6.34 gpm (24.0 L/min) @ 80 psi
Connection Type: 1/2" MIP and SWT
Cartridge Type: Ceramic Disc

IAPMO, ASME A112.18.1/CSA B125.1, ASSE 1016 Type P, Massachusetts Accepted, LISTED ID: SH4001



ADDITIONAL FEATURES

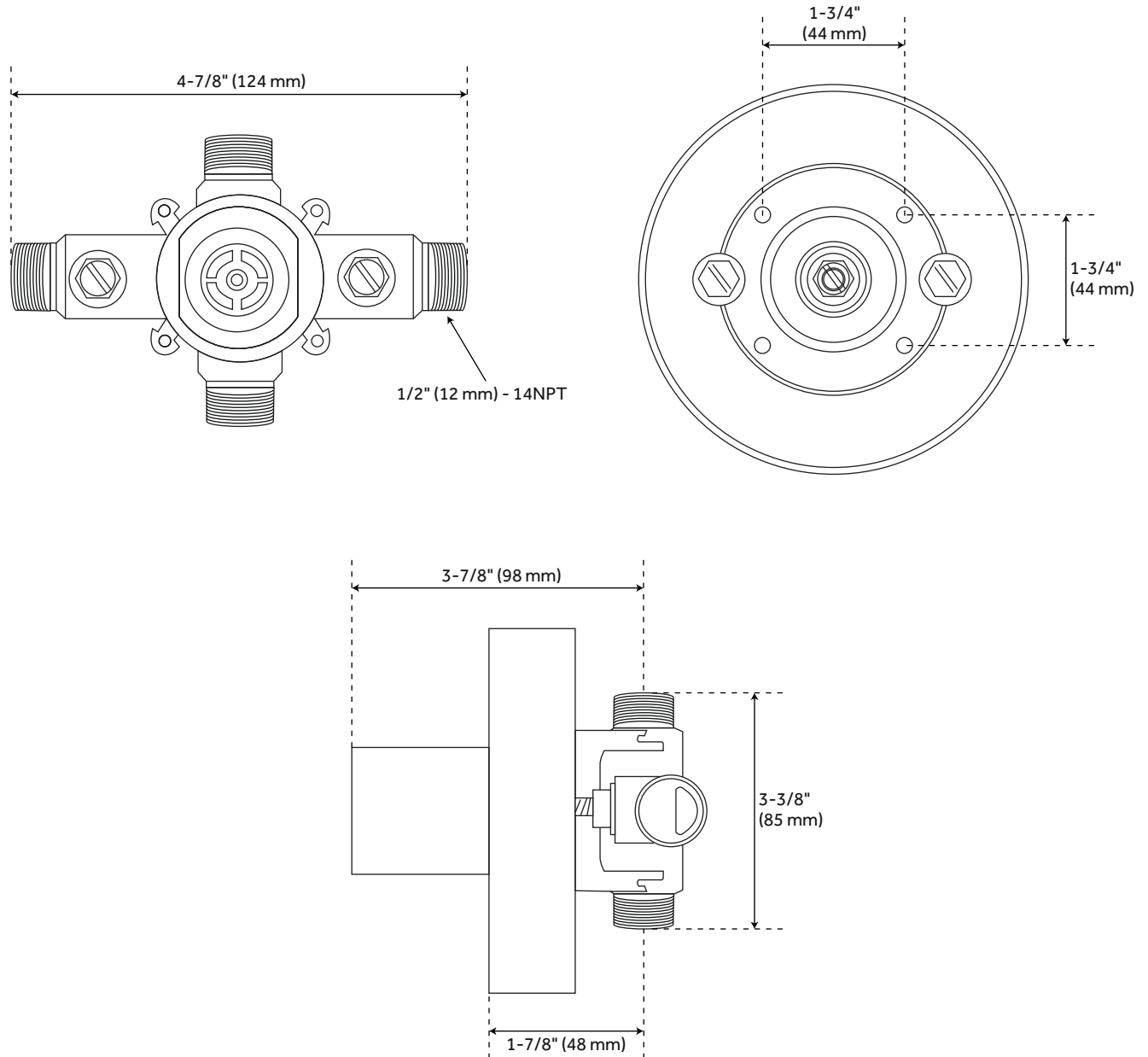
- Compatible with Beasley, Boca Raton, Carraway, Edenton, Greyfield, Hibiscus, Key West, Lentz, Lexia, Pendleton, Pinecrest, Provincetown, Rigi, St. Martin and Vilamonte Pressure Balance Trims.
- Pressure balance valve with integral stops.
- One-piece cartridge design for ease of maintenance.
- Back-to-back capability.
- Ceramic disc valve cartridge.
- Cast bronze valve body.
- Adjustable temperature limit stop.
- Quick remove plaster guard.
- Easy mounting brackets.
- Important Note: Pressure Balancing Valves, regardless of brand, are generally not recommended for use with tankless (on-demand) water heaters. Pressure Balancing Valves adjust to the lowest incoming water pressure. Because outgoing hot-water pressure of tankless water heaters can sometimes be significantly lower than household cold-water pressure, the result can be unsatisfactory water pressure in the shower.

REVISED 5/24/2024

PRESSURE BALANCE TUB AND SHOWER ROUGH-IN VALVE

SKU: 446520

SH4001



All dimensions and specifications are nominal and may vary. Use actual products for accuracy in critical situations.